

Project \_\_\_\_\_

Item Number \_\_\_\_\_

Quantity \_\_\_\_\_

FA-73



**Ground Beef  
Fat Analyzer**  
**MADE IN THE USA**

**Model:**

➤ FA-73: GROUND BEEF FAT ANALYZER

Ground Beef  
Fat Analyzer

**Features:**

- Industry standard for measuring the fat content of ground beef
- Fast, simple and affordable
- Single lever manual operation
- Three minute cycle time
- Comes complete with carrying case and glass vials
- Self calibrating machine as each time you measure the fat content you are setting the machine to read zero. No external calibration is needed

Univex Corporation

**Standard Accessories:**

- Sample measuring device
- Carrying case
- Six glass vials

**Optional Accessories:**

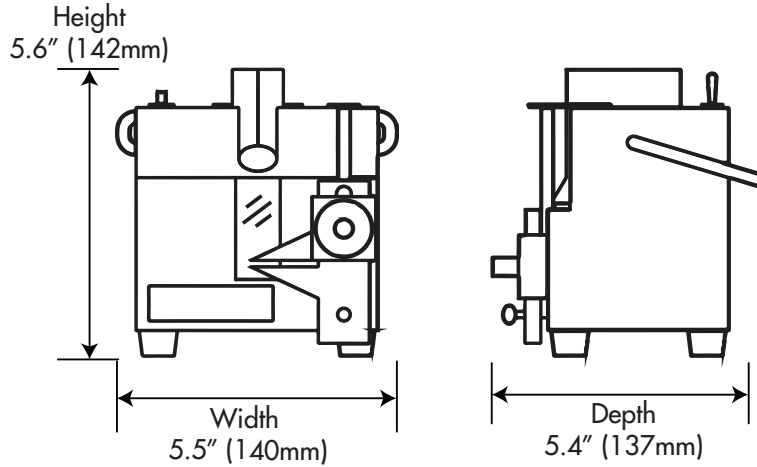
- Carton of 48 glass vials

**Warranty:**

- 90 day, carry-in parts and labor

# Ground Beef Fat Analyzer

# FA-73



Accuracy			
	AOAC	Modified Babcock	Univex
Regular	23.84	24.7	24.1
Lean	21.58	21.8	22.1
Extra Lean	15.21	16.1	16.2

Accuracy: The FA-73 was tested against the AOAC method of determining fat content as well as the Modified Babcock method. The test was done with three samples of regular, lean, and extra lean meat being tested and averaged; the results are within 1%.

**NEMA #: 5-15-P**

Electrical Information (60Hz)				
	Voltage	Phase	hp(kW)	Amps
Standard Voltage	115	1	1.00 (0.75)	0.9
Optional Voltage	220	1	1.00 (0.75)	0.4

Shipping Information		
Net Weight	Shipping Weight	Overall Dimensions
8 lbs. (3.6Kg)	10 lbs. (4.5Kg)	12" (30.5cm) H x 12" (30.5cm) W x 12" (30.5cm) D