

Project: \_\_\_\_\_

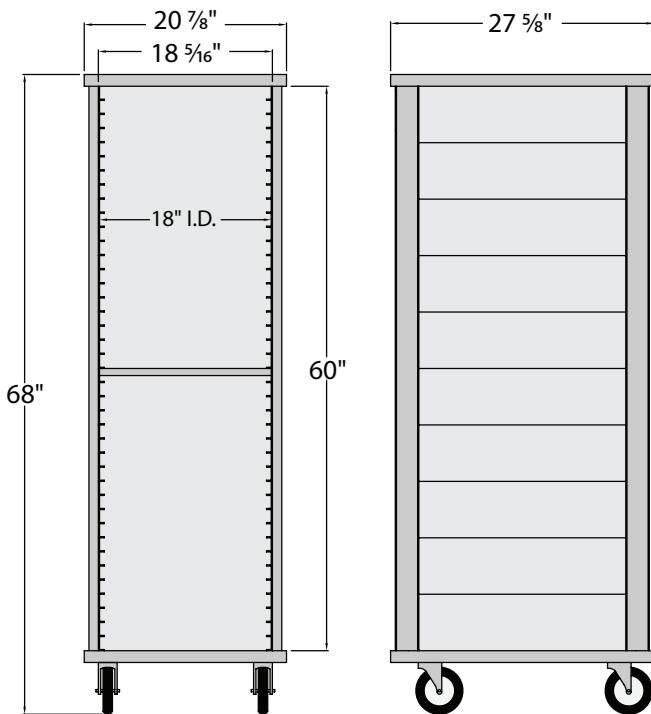
Item: \_\_\_\_\_

Quantity: \_\_\_\_\_

## Enclosed Cabinet -Standard



1290A



Clean, dust-free transport cabinet is ideal for food delivery and storage. Solid side panels with 1½" spaced angled guides hold a maximum amount of pans in a minimal amount of space.

- Formed door and rear panel create a chimney effect allowing air to circulate freely from top to bottom.
- Solid side panels are composed of interlocking aluminum extrusions with guides spaced on 1½" centers for maximum capacity.
- Units are secured with heavy duty tie rods of 7/8" square tube.
- Equipped with four 5" platform swivel type heavy duty casters with non-marking wheels, these all welded aluminum carts can be loaded up and easily rolled into place.
- All welded with all seams fully welded and sealed providing a smooth, easy to clean surface. No cracks or crevices to trap dirt!
- **One-Year Guarantee** against material defects and workmanship.
- **Lifetime Guarantee** against rust and corrosion.
- NSF Certified.

### ► Enclosed Transport Cabinet - Standard

Model No.	Size W-H-D	Pan Capacity	Runner Spacing	Ship Lbs.
1290A	20 <sup>7</sup> / <sub>8</sub> " x 68" x 27 <sup>5</sup> / <sub>8</sub> "	40	1 ½"	134

Four 5" plate type swivel casters.

Units hold 13" x 18", 14" x 18", and 18" x 26" pans by the lip.

**Options:** Options may not be NSF Certified. Contact the factory.

- Caster Locks (2)** - Add "CL" suffix to model #.
- Corner Bumpers (4)** - Add "B" suffix to model #.
- Clear Polycarbonate Door** - Add "CD" suffix to model #.
- Open Door Latch** - Add "DL" suffix to model #.
- Perimeter Bumper** - Add "PB" suffix to model #.
- Reinforced Door** - Add "RD" suffix to model #.



New Age Industrial Corp., Inc. || [NewAgeIndustrial.com](http://NewAgeIndustrial.com) || Made in the USA

PO Box 520 • 16788 US Hwy 36 • Norton, Kansas 67654 || Phone: (800) 255-0104 • (785) 877-5121 || Fax: (877)-877-7687 • (785) 877-2616

This information is for general sales and engineering use only. New Age Industrial reserves the right to modify or make changes at any time, without notice, to materials and specifications.