



# EKFA 412 M

FOUR-TRAY, HALF-SIZE COUNTERTOP CONVECTION  
MANUAL CONTROLS, WITH BROILER

## FEATURES



- Maximum cooking capacity in a small space
- Lateral supports for 4 trays at 2 29/32" pitch
- (4) 13" x 18" grids included
- Temperature range 200 to 500° F
- Top, bottom and rear heating elements
- Eight cooking modes
- Stainless-steel cooking chamber
- Bottom control panel - manual
- Bi-directional fan
- High-performance oven insulation
- High-efficiency motor and fan
- Recessed door gasket
- Bottom-hinged, dual-paned glass door
- Internal glass designed to facilitate easy cleaning
- Timed or infinite cooking mode
- Internal halogen light

Conforms to the following standards:

- Standard safety UL 197-2014
- Sanitation NSF / ANSI 4-2014
- Sanitation NSF / ANSI 170-2010
- Sanitation NSF / ANSI 51-2012
- CSAC 22.2 No. 109-M1981



Tecnoeka, Inc.  
3385 Denver Drive  
Denver, North Carolina 28037

Web Site: [www.tecnoeka.com](http://www.tecnoeka.com)  
E-mail: [info.usa@tecnoeka.com](mailto:info.usa@tecnoeka.com)  
Toll Free: 888-626-EKA1 (3521)



Printed in the U.S.A.  
March 2021

# EKFA 412 M

## DIMENSIONS NET AS SHIPPED

DIMENSIONS	NET	AS SHIPPED
Width	23.62 in	30 in
Depth	27.91 in	26 in
Height	25.72 in	23 in
Weight	106 lb	117 lb

## UTILITY CONNECTIONS

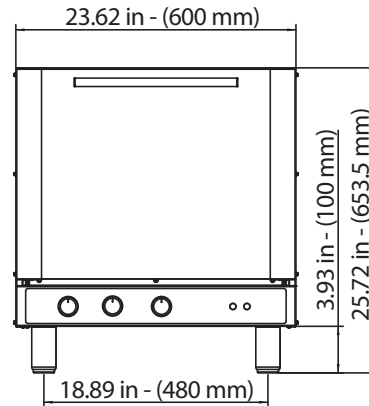
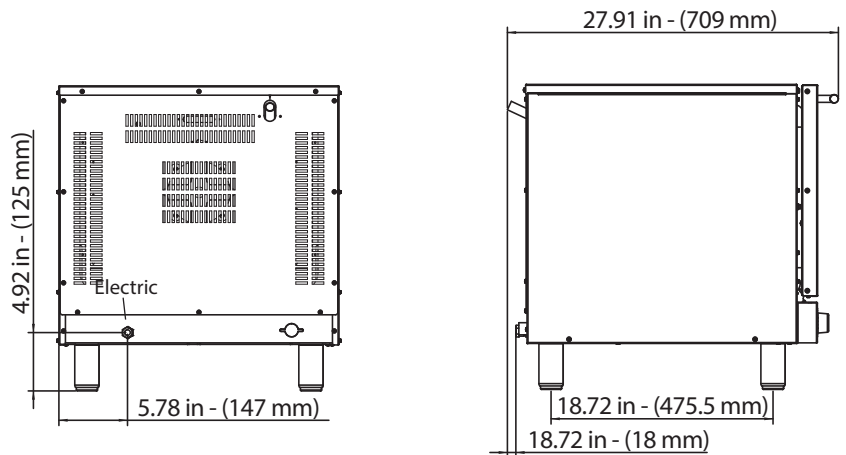
All utility connections should be within three feet of the centerline of the back of the oven when installed.

## ELECTRICAL

Power:	2750-2900W
Frequency:	60Hz
Voltage (AC):	208/240v (single-phase)
Current:	11.5-13.0A
NEMA Plug:	6-20P (included)
Breaker size:	20A (recommended)

## AVAILABLE OPTIONS AND ACCESSORIES

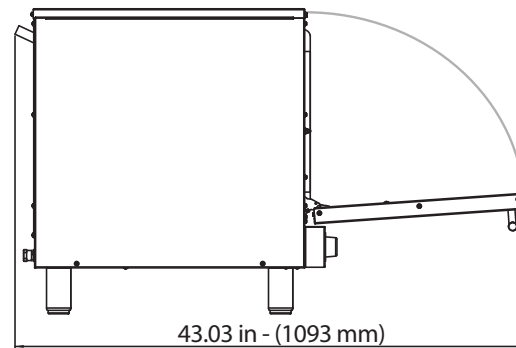
Table - standard height (31.14")	EKTAS 412
Table - w/casters (34.76")	EKTARS 412
13" x 18" half-size chrome grid	EKGAHS
13" x 18" half-size stainless-steel grid	EKGAHSX



\* Oven must be installed a minimum of 19.7" (500 mm) from any significant source of heat and/or grease (for example: fryers, burners, kettles, open flames, etc.)

Other surfaces must maintain a minimum of 3.94" (100mm) clearance.

Tecnoeka is not responsible for damage to the oven caused by any external heat source.



Tecnoeka, Inc.  
3385 Denver Drive  
Denver, North Carolina 28037

Web Site: [www.tecnoeka.com](http://www.tecnoeka.com)  
E-mail: [info.usa@tecnoeka.com](mailto:info.usa@tecnoeka.com)  
Toll Free: 888-626-EKA1 (3521)



Printed in the U.S.A.  
March 2021