

"GMT" POLY TOP WORK TABLES

w/2 Layers of 3/4" Thick High Density Polyethylene Top

FEATURES:

- 1-1/2" Thick High Density Polyethylene Top, (x2) 3/4" Pieces Sectioned Per NSF Regulations (Also Available w/1-1/2" Thick Maple Top, Top Style "SCT" Flat Top)
- Top Is Held In Place By Welded Clips; Top is Removable For Ease In Cleaning
- Stainless Steel Base & Bracing, Type 300 Stainless Steel w/#4 Polish, Satin Finish
- Adjustable Bullet Feet
- Shipped Standard Welded Set-Up, Available Knocked-Down (Must Specify)

SPECIFICATIONS:

- Top: High Density Polyethylene
- Frame: 1-1/2" Square Tube 18GA Type 300 Stainless Steel w/#4 Polish, Satin Finish
- Bracing: 1-1/4" Round O.D. 18GA Type 300 Tubular Stainless Steel w/#4 Polish, Satin Finish
- Legs: 1-5/8" Round O.D. 16GA Type 300 Tubular Stainless Steel w/#4 Polish, Satin Finish
- Feet: 1" Adjustable Stainless Steel Bullet Feet
- Top: Stainless Steel Bases Are TIG Welded, Exposed Welds Are Polished To Match Adjacent Surface



GMT001

CERTIFICATIONS:



ACCESSORIES

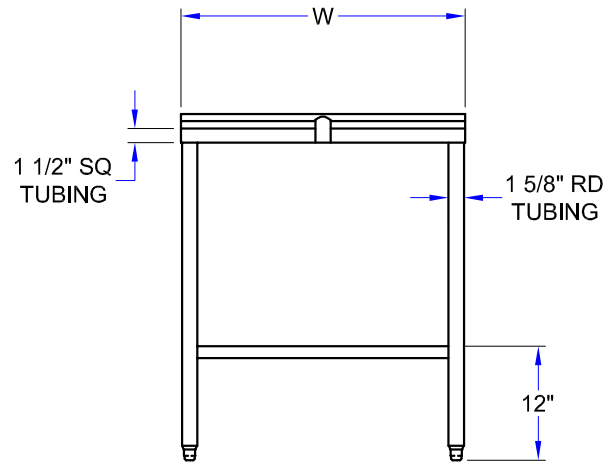
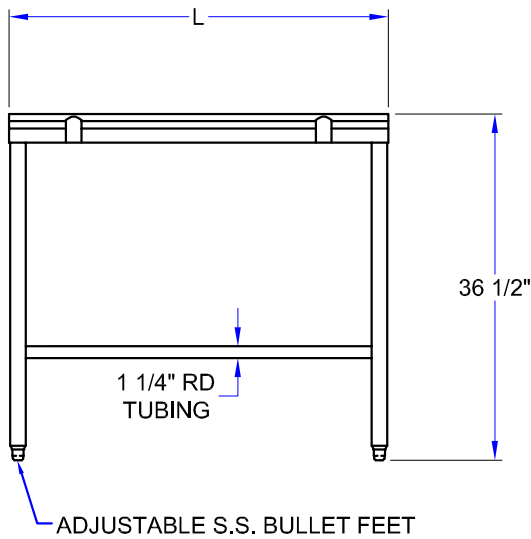
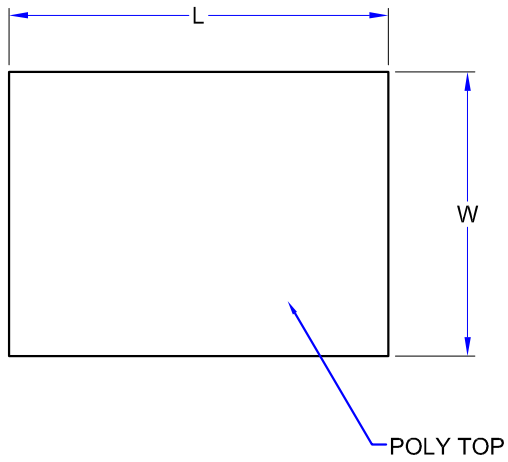
DESCRIPTION
Drawer
Drawer Lock
Casters
Lower Shelves
Meat Boat Racks
Paper Holder
Pot Rack
Knocked Down Assembly

"GMT" POLY TOP WORK TABLES

LENGTH	24" WIDE	WT (LBS)	30" WIDE	WT (LBS)	36" WIDE	WT (LBS)
24"	GMT001	59	-	-	-	-
30"	GMT002	67	GMT008	79	-	-
36"	GMT003	76	GMT009	89	GMT014	102
40"	GMT004	84	GMT010	96	GMT015	110
50"	GMT005	101	GMT011	120	GMT016	133
60"	GMT006	116	GMT012	137	GMT017	159
72"	GMT007	133	GMT013	150	GMT018	183

ALL DIMENSIONS ARE TYPICAL. TOLERANCE +/- .500". JOHN BOOS & CO. RESERVES THE RIGHT TO CHANGE SPECIFICATIONS WITHOUT NOTICE.

DETAILED SPECIFICATIONS



ALL DIMENSIONS ARE TYPICAL. TOLERANCE +/- .500". JOHN BOOS & CO. RESERVES THE RIGHT TO CHANGE SPECIFICATIONS WITHOUT NOTICE.