



Redefining Healthcare Food Service

With Alluserv you are not just buying a product. You are receiving our team's service commitment to get the most value from your investment in our products. We will provide you with:

- A team of knowledgeable experts with over 100 years of combined experience to help you understand and receive the most from your product throughout its service life
- Detailed instructions and specification on cleaning and application to best maintain your equipment
- A national service network and service manuals for our extensive product offering.

## RACK DOLLIES

### APPLICATION

The Alluserv rack dollies are designed to take on the toughest jobs and conditions. Ideal for storing and transporting cup and glass racks.

### CONSTRUCTION

These durable dollies are made of a solid one-piece aluminum or stainless steel platform with a 1" or 1-1/2" lip on all sides to prevent spills. The dollies are designed for handling 20" x 20" racks and have load capacities ranging from 200 lbs to 700 lbs. Both the aluminum and stainless steel models are rust-proof and corrosion resistant for a long life. These models come standard with all swivel 5" casters.

## Rack Dollies

### Model Numbers:

**ARD01, SSRD01, SSRD02,  
SSRD03**



Aluminum Model shown  
with optional handle

### Options

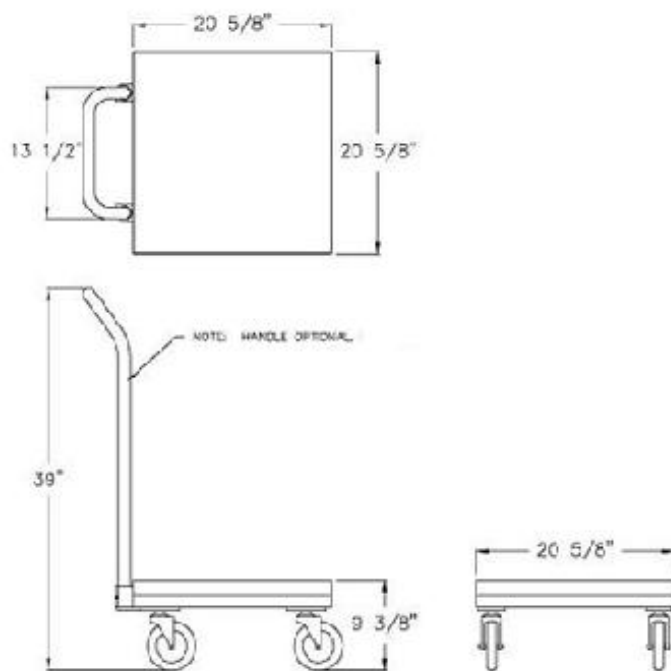
- Detachable handle for Model ARD01\*
- Two 5" casters with brakes
- Corner bumpers

\*Models SSRD02 and SSRD03 come standard with tubular push handle.

### Warranty

- Two years parts and one year labor

# Rack Dollies



## DIMENSIONS

MODEL	LOAD CAP.	PLATFORM SIZE			OVERALL SIZE			CASE CUBE	CASE WEIGHT
		D	L	H	D	L	H		
ARD01	700 lbs.	20-5/8"	20-5/8"	1-1/2"	22-3/8"	20-5/8"	9-1/4"	4.3 cu. ft.	21 lbs.
SSRD01	200 lbs	20-3/4"	20-3/4"	1"	20-3/4"	20-3/4"	6-1/4"	4.4 cu. ft.	25 lbs.
SSRD02	200 lbs	20-3/4"	20-3/4"	1"	21"	27"	32"	4.4 cu. ft.	28 lbs.
SSRD03	400 lbs	20-3/4"	20-3/4"	1"	21"	27-1/2"	32"	4.4 cu. ft.	32 lbs.

