



Architect/Engineering Specifications:

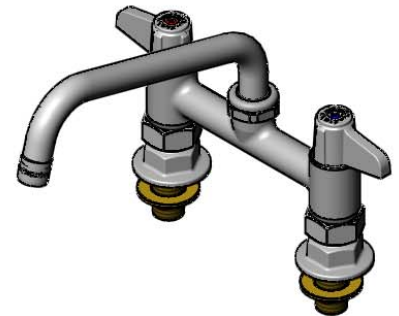
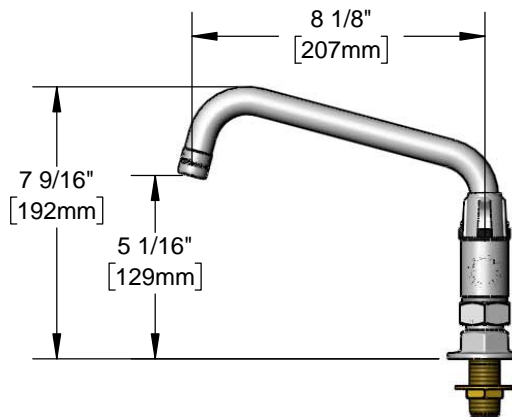
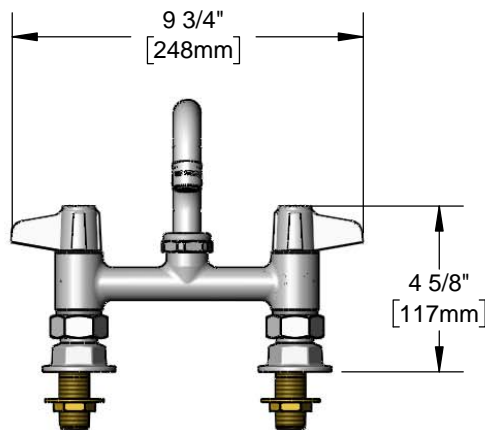
6" deck mount mixing faucet with polished chrome plated brass body, 8" equip swing nozzle with 2.2 GPM aerator, ceramic cartridges, equip lever handles and 1/2" NPT male inlets. Certified to ASME A112.18.1/CSA B125.1, NSF 61-Section 9 and NSF 372. Meets ADA ANSINCC A117.1 requirements.

Job Name _____

Model Specified _____ Quantity _____

Variations Specified _____

Date _____



Features & Benefits:

- 6" deck mount mixing faucet w/ polished chrome plated brass body
- 8" equip swivel nozzle w/ 2.2 GPM aerator
- Quarter-turn ceramic cartridges
- equip lever handles w/ color coded screws
- 1/2" NPT female eccentric inlets w/ $\phi 2$ " flanges
- Adjustable centers from 5 3/4" to 6 1/4"
- 1/2" NPT male supply nipple kit
- Material: Polished chrome plated brass body & tubular spout and chrome plated metal handles

Product Compliance:

- ASME A112.18.1 / CSA B125.1
- NSF 61 - Section 9
- NSF 372 (Low Lead Content)
- ANSI A117.1 (ADA)



Warranty: One Year (Limited)

Performance Data:

- Pressure: 20 - 125 psi
- Temperature: 40 °F - 140 °F
- Flow Rate: 2.2 GPM @ 60 psi



ADA Compliant

