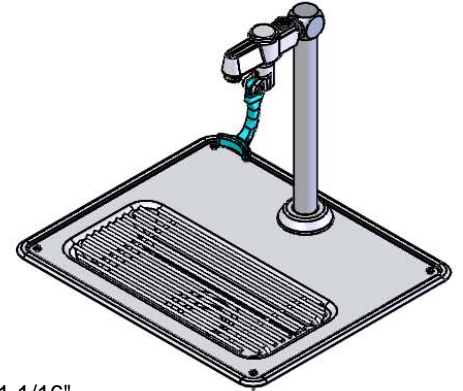
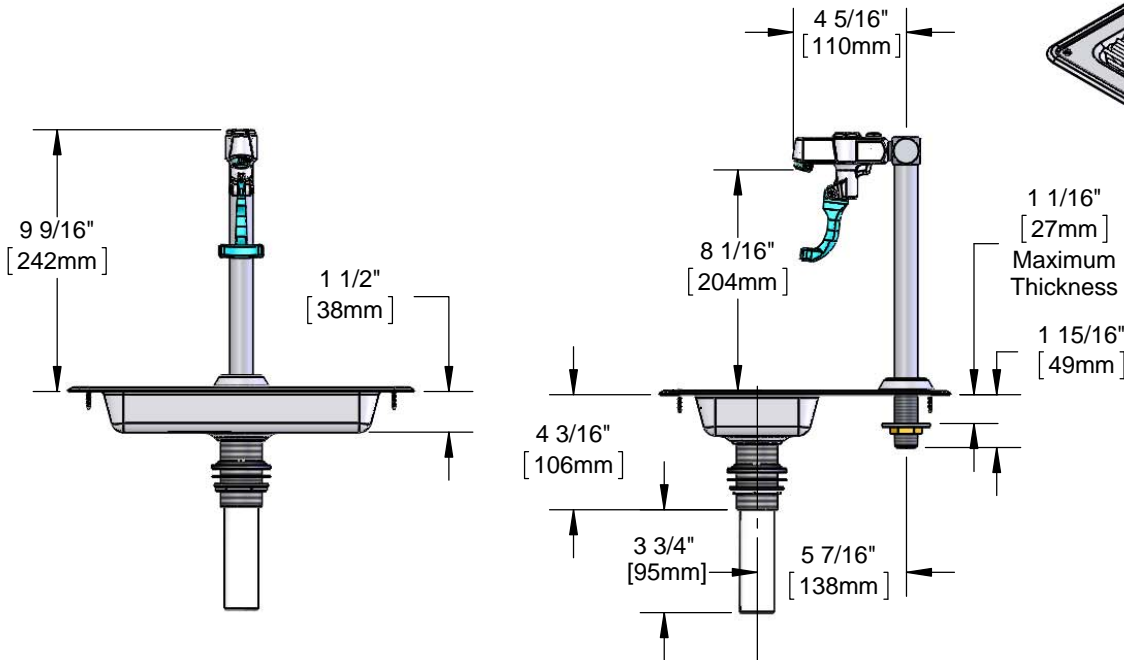


Architect/Engineering Specifications:

Deck mount water station with polished chrome plated brass body pedestal type glass filler, adjustable flow outlet, push back actuation arm, pedestal with adjustable deck flange, 18 gauge stainless steel drip pan with drip in grid and 1 1/4" drain. Certified to ASME A112.18.1\CSA B125.1, NSF 61-Section 9 and NSF 372. Meets ADA ANSICC A117.1 requirements.

Job Name _____
 Model Specified _____ Quantity _____
 Variations Specified _____
 Date _____



Features & Benefits:

- Deck mount water station
- 8" deck mount glass filler w/ polished chrome plated brass body
- Screw driver adjustable flow outlet
- Instantaneous shut-off
- 1/2" NPT male inlet
- Pedestal w/ adjustable ϕ 2" flange
- 1 1/4" Drain
- Material: Polished chrome plated brass body & pedestal, chrome plated metal flange, 18 gauge stainless steel drip pan and stainless steel grid

Product Compliance:

- ASME A112.18.1 / CSA B125.1
- NSF 61 - Section 9
- NSF 372 (Low Lead Content)
- ANSI A117.1 (ADA)

Warranty: One Year (Limited)

Performance Data:

- Pressure: 20 - 125 psi
- Temperature: 40 °F - 140 °F
- Flow Rate: 0.25 GPM min @ 60 psi
2.50 GPM max @ 60 psi
- Discharge Rate: 18.00 GPM



ADA Compliant