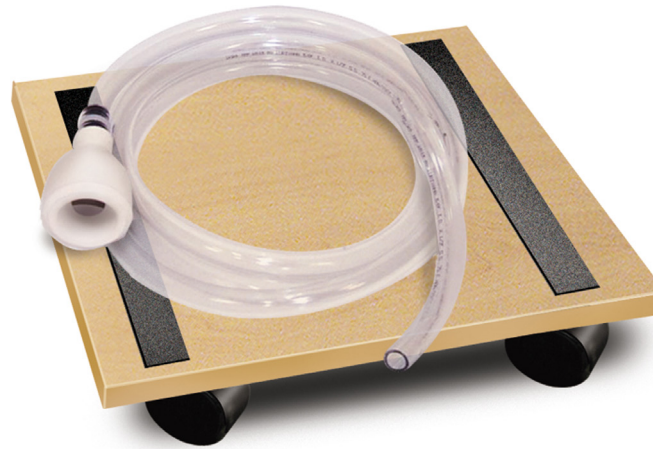


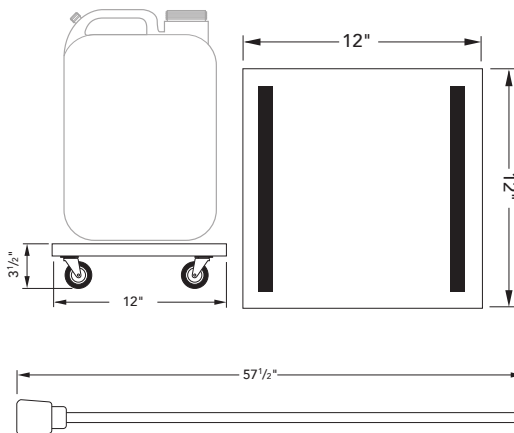
EZ-FILL-N-ROLL DOLLY KIT

Our EZ-Fill-n-Roll Dolly Kit, with its rolling dolly and tag along tank-filling tube, is your Ozark River® answer to moving, re-filling, and emptying your portable sink water tanks. We kind of reinvented the wheel here, making any water tank-related journey quick, efficient, and spill-free. Good things come in small packages and when you don't need this kit, its easy-to-store design is out of sight and out of mind.



AC-03-RL

Model Name	EZ-Fill-n-Roll Dolly Kit
SACERS Rating	12, 3.4, 5.1, 5.2
Product Material	Phthalates and Lead Free Millwork
Product Dimensions	12" W x 12" D x 3.5" H
Product Weight	4.5 lbs.



RELATED ACCESSORIES

LIL STEP BOOSTER

Ideal for 2 and 3 year old handwashing compliance, the Lil Step Booster features our patent-pending slip-resistant Hugger Feet, which can accommodate up to 300 lbs.



EZ-FLOW FAUCET

The hands-free infrared portable faucet stops the spread of germs caused from surface touching. It also saves up to 70% water usage. (Requires "AAA" batteries)



FRESH AND WASTE WATER TANKS

Five gallon Fresh Water or Six gallon Waste Water replacement tanks for everyday use or for compliance. Complete with labels and caps.



EZ-GLOVE DISPENSER

This durable, coated wire glove box holder can be installed onto Ozark River Portable Sinks®, or onto another surface. Fits glove boxes: 9.75"W x 5.25"D x 3.25"H

