



GEMD270A2

Features

- Space-saving 15.5" (390 mm) wide design.
- Produces up to 273 lbs (124 kg) of ice per day.
- Stores up to 12 lbs (5.5 kg) of ice.
- Rapid Recovery Time – 11.4 lbs (5.2 kg) of ice per hour.
- Touch-Free Dispense – infrared actuation provides easy sanitary operation.
- Sanitary plastic chute is easy to remove and clean.
- Quiet Operation – ideal for healthcare, cafeteria, restaurant and office applications.
- Pearl Ice® soft, chewable ice crystals.
- Lighted key-pad for easy dispensing selection – ice only, ice water, water only or dispensing for pitchers.
- Larger sink allows more clearance for larger containers.

Options & Accessories

Ice Machine Model	WATER FILTERS		
	Manifold		Inline
	System	Replacement	System
GEMD270A2	N/A	N/A	IF14C or IF18C
GEMD275A2			

Ice Maker Warranty

Every Ice-O-Matic ice maker is backed by a warranty that provides both parts and labor coverage.

- Two years **Parts** and **Labor**.
- Five years **Parts** coverage on the compressor.

Ice Form



PEARL ICE

PEARL ICE DIMENSIONS	
H x Dia. (in.)	1/2 x 3/8
H x Dia. (mm)	12.7 x 9.5

24 Hour Ice Production

Ice Machine Model	Based on Air/Water Temperatures	24 Hour Production lbs/kg	Based on Air/Water Temperatures	24 Hour Production lbs/kg
GEMD270A2	70° F/50° F	273/123	90° F/70° F	229/103
GEMD275A2	70° F/50° F	251/114	90° F/70° F	190/86

GEMD270A2/275A2 PEARL ICE®/WATER DISPENSER

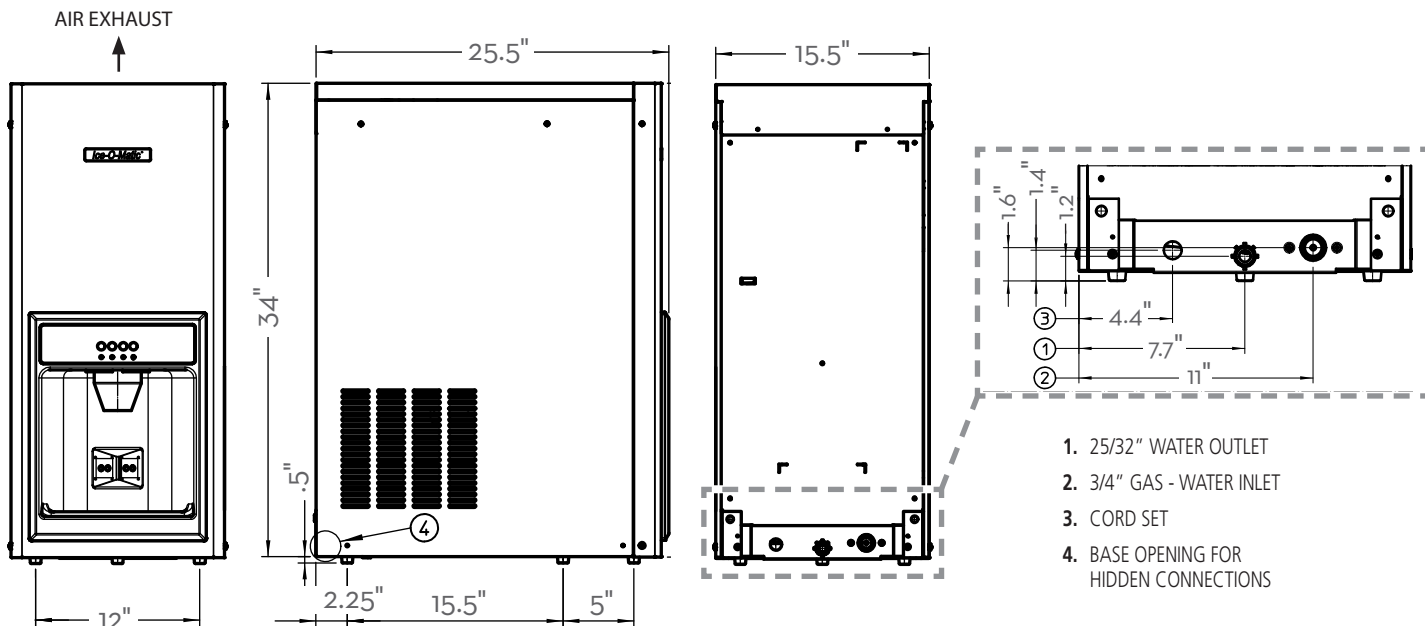




PEARL ICE® ICE/WATER DISPENSER GEMD270A2/275A2



GEMD270A2/275A2 PEARL ICE® / WATER DISPENSER



Operating Requirements

	MINIMUM	MAXIMUM
	60 Hz	
Ambient Temp. Range Air	50°F (10°C)	100°F (38°C)
Water Temp.	40°F (4.4°C)	
Water Pressure	14 PSIG (1 BAR)	70 PSIG (5 BAR)
Electrical Voltage	-10%	+10%

Dimensions

ALL MODELS	
W x D x H (in.)	15.5 x 25.5 x 34.5
W x D x H (mm)	390 x 645 x 877

Specifications

Model Number	Cond. Unit	Ice Production per 24hrs			Water Usage gallons per 100 lbs of Ice 90°F air/70°F water		kWH Used per 100 lbs (kg) of ice @ 90°F air/70°F water	Voltage Characteristics	Min. Circuit Ampacity	Max Breaker Size	Approx. BTUs per hour
		50°F air/50°F water lbs (kg)	70°F air/50°F water lbs (kg)	90°F air/70°F water lbs (kg)	Potable	Condenser					
GEMD270A2	Air	309 (140)	274 (124)	210 (95.25)	24 (91)	-	6.2 (2.8)	115/60/1	6.0	10	161 (73)
GEMD275A2		265 (120)	251 (114)	190 (86)			6.0 (2.7)				

NOTES:

- 1 lb. apx. = 32 fl. oz.
- Vends per hour are based on 70°F Air/50°F Water
- It is possible to change the "Ice-Only" default setting to a different default setting by pushing the corresponding button for 5 seconds (factory default if "Ice-Only").
- Cordset included

Number of Vends (Servings) Per Hour From Full Bin + Recovery = Total Vends

Model Number	Bin Storage lbs/kg	1 Hour Recovery Cap. lbs/kg	2 fl. oz. Bin	2 fl. oz. Recovery	Total 2 fl. oz. Vends	4 fl. oz. Bin	4 fl. oz. Recovery	Total 4 fl. oz. Vends	6 fl. oz. Bin	6 fl. oz. Recovery	Total 6 fl. oz. Vends	8 fl. oz. Bin	8 fl. oz. Recovery	Total 8 fl. oz. Vends
GEMD270A2	12/5.5	11.4/5.2	192	+ 182	= 374	96	+ 97	= 187	64	+ 61	= 125	48	+ 46	= 94
GEMD275A2														