



Your Solutions Partner

Specifications

F.O.B. Sedalia, Missouri 65301



DBC-2G

AGENCY LISTINGS:

613-G3



PROOFER

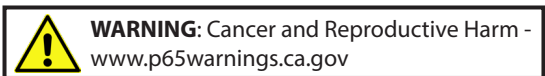


DUKE MANUFACTURING CO.

2305 N. Broadway
St. Louis, MO 63102
800.735.3853 Toll Free
314.231.5074 Fax
www.dukemfg.com

SS-1043 Proofer Base-2 DBC-2 Gas

Specification subject to change



Approval Stamp(s):

PRODUCT INFORMATION:

PROJECT: _____

ITEM: _____

QUANTITY: _____

MODEL:

Duke Baking Centers - DBC-2G

Full Size - Deep Depth - Gas

- DBC-2G 613-G3 Oven, Gas/PFB-2 Proofer Base

OVEN SECTION:

- 6 races/13 rack positions
- Porcelain interior finish - 29"W x 24"H x 28" D cavity
- Stainless steel front, sides, top
- Double pane glass in 65 door
- 1-1/2" insulation on bottom, sides, back/3" on top
- 46,000 BTU

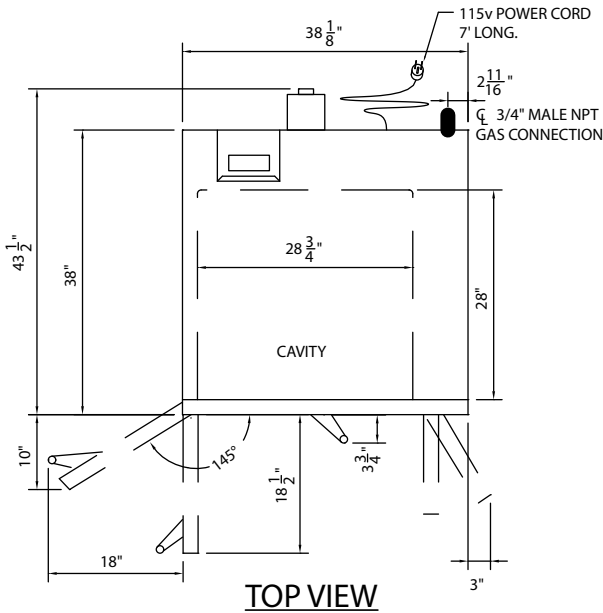
OVEN CONTROLS:

- "XX" - Solid state digital time and temperature controls, 12-hour countdown timer, Cook and Hold feature, 2-speed fan, Pulse fan capability

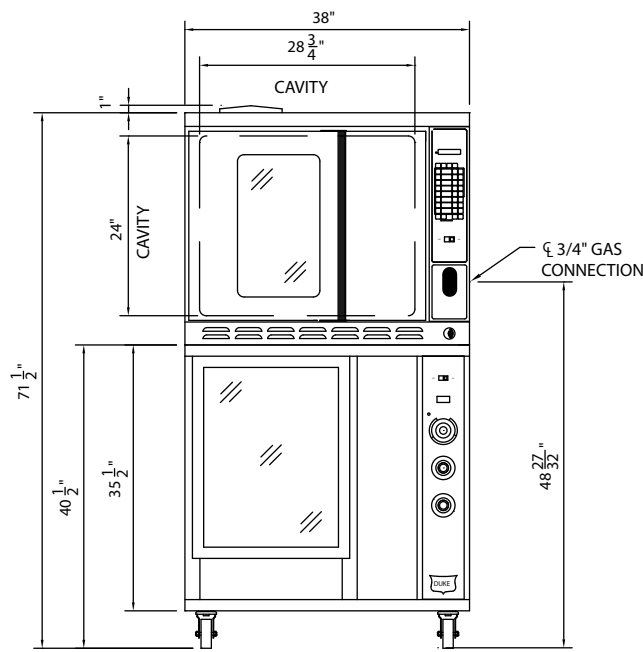
PROOFER SECTION:

- Stainless steel front, sides, back and top
- Tempered glass on self-closing door
- Stainless steel cavity - 8 rack guides/16 racks
- Solid state temperature control
- 1-hour electric dial timer
- Water reservoir

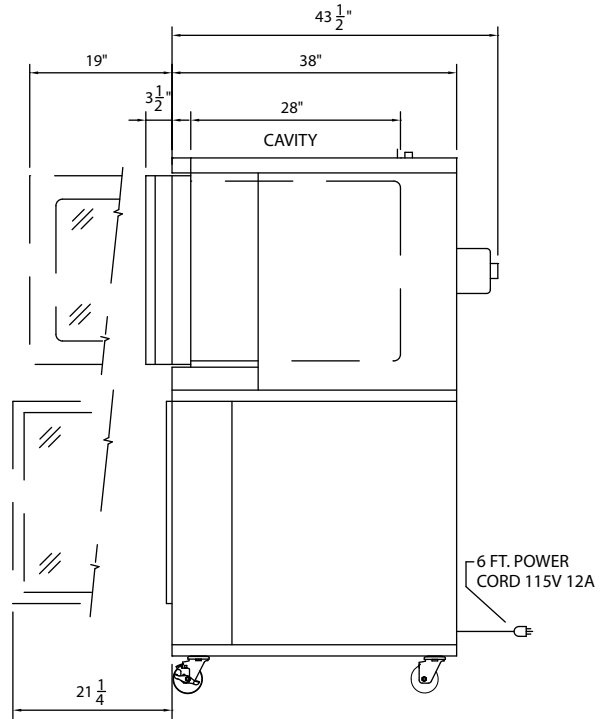
DUKE BAKING CENTERS - DBC-2G FULL SIZE - DEEP DEPTH - GAS



TOP VIEW



FRONT VIEW



RIGHT SIDE VIEW

| Gas Specifications | | |
|---|----------|----------------------------|
| 613-G3 | BTU/Hour | 46,000 |
| Regulated gas pressure required 3.5"WC natural /10"WC propane | | |
| Combustible surface clearance - 1" side, 1" rear, 6" floor | | |
| ■ - Gas connection | | |
| 3/4" Gas connection | | |
| Electrical requirements: 3.5 Amps/ 115V | | |
| Standard 115V units supplied with 5' cord and plug | | |
| PFB-2 | 120V | 1 Phase - 13.0 Amps 1.5 KW |

DIMENSIONS:

| Model | Depth | | Width | | Height | | Cube ft. crated | Weight | |
|--------|--------|-------|-------|------|--------|-------|-----------------|--------|-------|
| | in | cm | in. | cm | in. | cm | | lbs | kg |
| 613-G3 | 43-1/2 | 110.5 | 38 | 96.5 | 31-1/2 | 80.0 | 35.3 | 505 | 229.1 |
| PFB-2 | 38 | 96.5 | 38 | 96.5 | 40-1/2 | 102.9 | 39.4 | 210 | 95.3 |

FREIGHT CLASS: 85

Specify gas type

Specify altitude over 2000 feet



Duke Manufacturing Co.
2305 N. Broadway
St. Louis, MO 63102

Phone: 314-231-1130
Toll Free: 1-800-735-3853
Fax: 314-231-5074

www.dukemfg.com