

*This Space for Architect/Engineer Approval*

Job Name \_\_\_\_\_ Date \_\_\_\_\_

Model Specified \_\_\_\_\_ Quantity \_\_\_\_\_

Customer/Wholesaler \_\_\_\_\_

Contractor \_\_\_\_\_

Architect/Engineer \_\_\_\_\_

Universal EasyInstall  
Stainless Steel Wall Mount  
Swing Bracket w/ 100° Rotation

B-0963  
Continuous Pressure  
Vacuum Breaker w/  
Integral Check Valve

Stainless Steel  
Quick Disconnect

3/8" NPT x 36"  
Flexible Water  
Connector

3/8" NPT x 40"  
Riser

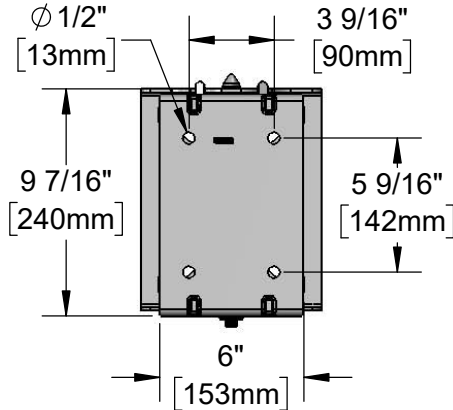
(2) 013716-40  
Wall Brackets

Single Supply  
Wall Mount Faucet,  
Quarter-Turn  
Ceramic Cartridges  
& equip Lever Handle

Ø 1 15/16"  
[50mm]

12 3/16"  
[309mm]

**Mounting Details**



Black Powder Coated Hose Reel  
w/ 35' of Ø 3/8" Hose

5SV-WH  
High Flow  
Spray Valve

1 7/8"  
[48mm]

45 1/4"  
[1149mm]

1 5/8"  
[41mm]

Rough-In Requirement:  
Ø 1" [25mm] Mounting Hole

Model Number

**5HR-232-01WE2**

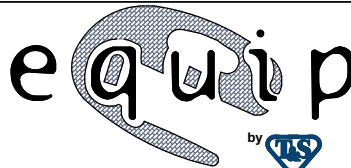
Product Compliance:

NSF 61 Exempt (Non-Potable)  
2019 DOE PRSV Non-Compliant  
ASSE 1056 (VB)

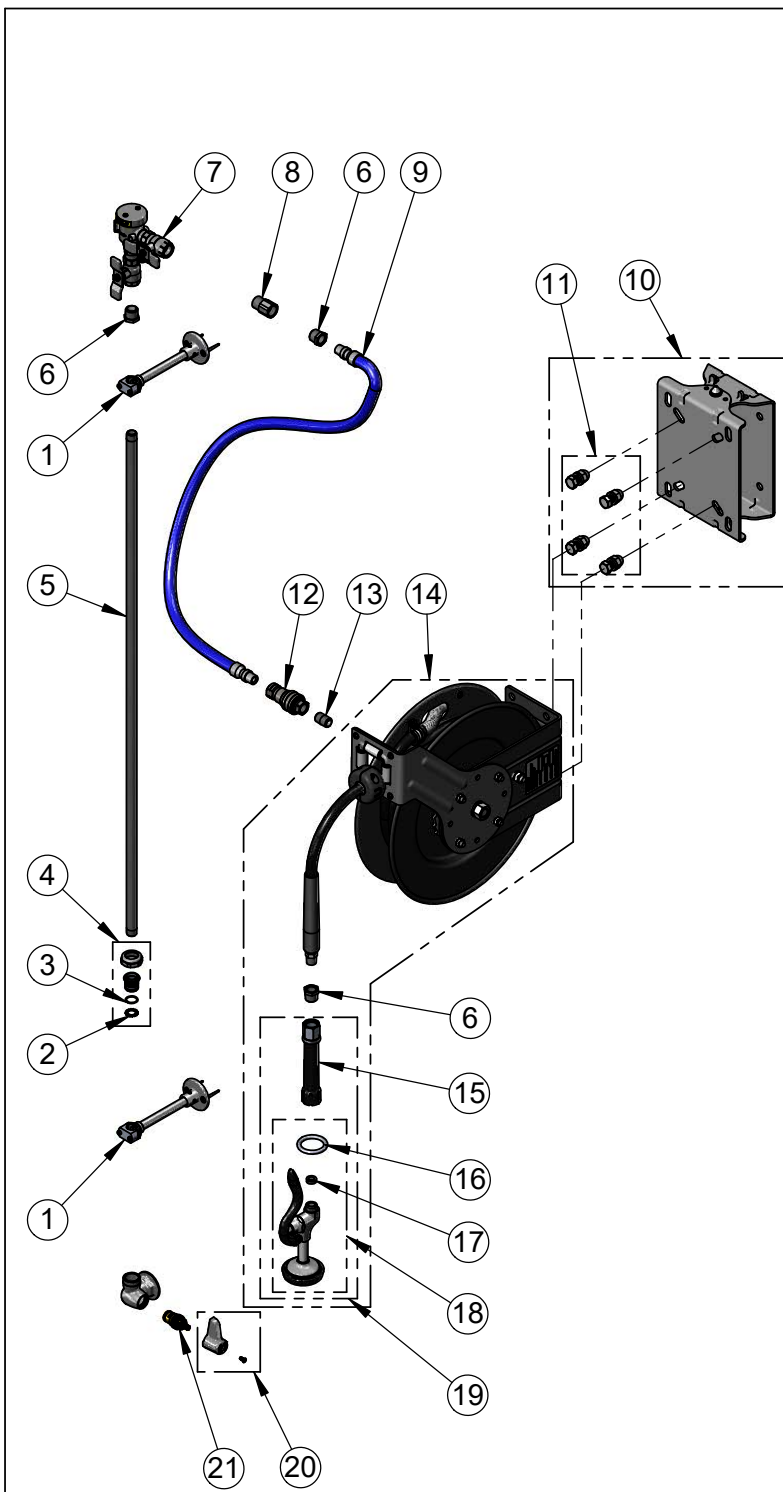
Product Specifications:

Open Epoxy Coated Steel Hose Reel w/ 35' of 3/8" Hose,  
High Flow Spray Valve, Vacuum Breaker, 3/8" NPT Flexible  
Water Hose, Single Supply Wall Mount Faucet, 1/2" NPT Female Inlets,  
(2) Wall Brackets, & Universal Swing Bracket

equip  
Foodservice  
Accessories



2 Saddleback Cove, P.O. Box 1088  
Travelers Rest, South Carolina 29690  
Phone: 800.891.4808 Fax: 800.868.0084  
equip.tsbrass.com



ITEM NO.	SALES NO.	DESCRIPTION
1	013716-40	6" Wall Bracket
2	014200-45	Star Washer, Anti-Rotation
3	001065-45	O-Ring
4	EU-EZ-K	EU EasyInstall Kit: Nut, Bushing, O-Ring & Lock Washer
5	002558-40	3/8" NPT x 40" Riser
6	001359-40	Hex Bushing, 1/2" NPT Male x 3/8" NPT Female
7	B-0963	Continuous Pressure VB w/ Integral Check Valve
8	015073-40	Check Valve w/ 1/2" NPT Adapter
9	HW-2B-36	3/8" NPT x 36" Flexible Water Hose
10	G019430-45	Universal EasyInstall Stainless Steel Swing Bracket
11	019191-45K	Hose Reel Bracket Mounting Kit
12	AW-5B	3/8" NPT Quick Disconnect
13	002535-25	3/8" Close Nipple
14	5HR-232-01	35' of 3/8" equip Open Coated Hose Reel
15	5HR-HDL	Hose Reel Grip Handle
16	000907-45	Spray Valve Hold Down Ring
17	010476-45	#27 Washer
18	5SV-H	High Flow Spray Valve
19	5SV-WH	High Flow Spray Valve, Handle, & Ring
20	5-HDL-L	equip Lever Handle w/ Color Coded Screws
21	013787-45	equip Ceramic Cartridge, RTC

Model Number  
**5HR-232-01WE2**

Product Compliance:  
NSF 61 Exempt (Non-Potable)  
2019 DOE PRSV Non-Compliant  
ASSE 1056 (VB)

Product Specifications:  
**Open Epoxy Coated Steel Hose Reel w/ 35' of 3/8" Hose, High Flow Spray Valve, Vacuum Breaker, 3/8" NPT Flexible Water Hose, Single Supply Wall Mount Faucet, 1/2" NPT Female Inlets, (2) Wall Brackets, & Universal Swing Bracket**

equip Foodservice Accessories

2 Saddleback Cove, P.O. Box 1088  
Travelers Rest, South Carolina 29690  
Phone: 800.891.4808 Fax: 800.868.0084  
equip.tsbrass.com