

APPLICATION:

PRODUCT NAME:
 STAINLESS STEEL SINGLE DECK
 CONTROL VALVE

JOB NAME:

MODEL:
 ■ 66575

QUANTITY:

ITEM NO.

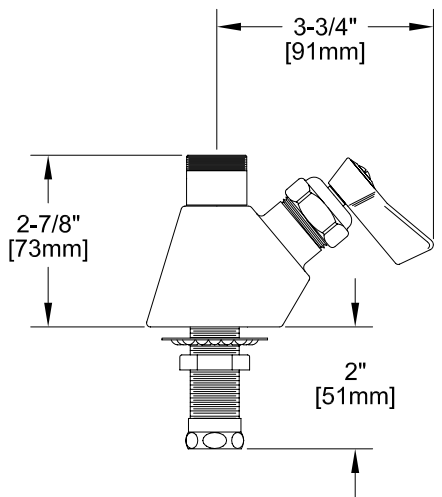
FEATURES

- CONTROL VALVE
- * STEM - LEFT HAND
 - * HOT AND COLD INDEX BUTTONS
 - * SWIVELLING SEAT DISK
 - * STAINLESS STEEL SEAT
 - * STAINLESS STEEL SEAT SCREW
 - * STAINLESS STEEL HANDLE SCREW

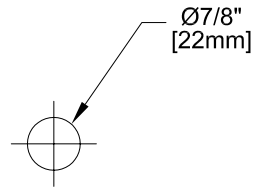
- SYSTEM LIMITS
- * TEMP: 40°F MIN. TO 140°F MAX.
 - * PRESSURE: 200 PSI MAX. STATIC

- SHIPPING WEIGHT
- * 2.75 LBS

* NSF 61-9 APPROVED & LISTED
www.truedail.com



ROUGH-IN:



ANSI/A112.18.1M

FISHER
 FISHER MANUFACTURING COMPANY
 TOLL FREE: 800-421-6162 - FAX: 800-832-8238
information@fisher-mfg.com - www.fisher-mfg.com