

Automatic Coffee Urns



RU-150-12
Single 3.0 Gallon
Automatic Coffee Urn



RU-225-12
Single 6.0 Gallon
Automatic Coffee Urn



URN-300-12
Twin 3.0 Gallon
Automatic Coffee Urn



URN-600-12
Twin 6.0 Gallon
Automatic Coffee Urn



URN-1000-12
Twin 10.0 Gallon
Automatic Coffee Urn

Features

Automatic refill during brew cycle.

Thermostatically controlled for near-instant recovery.

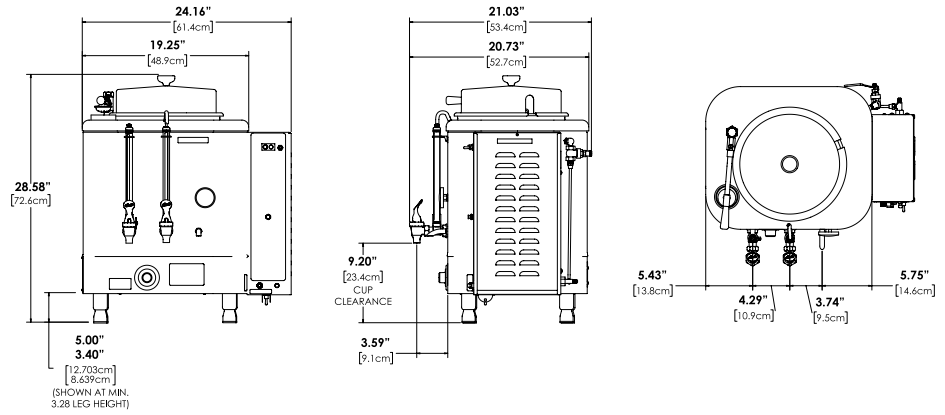
Closed-lid brewing creates superior flavor and full coffee aroma.

Electric.

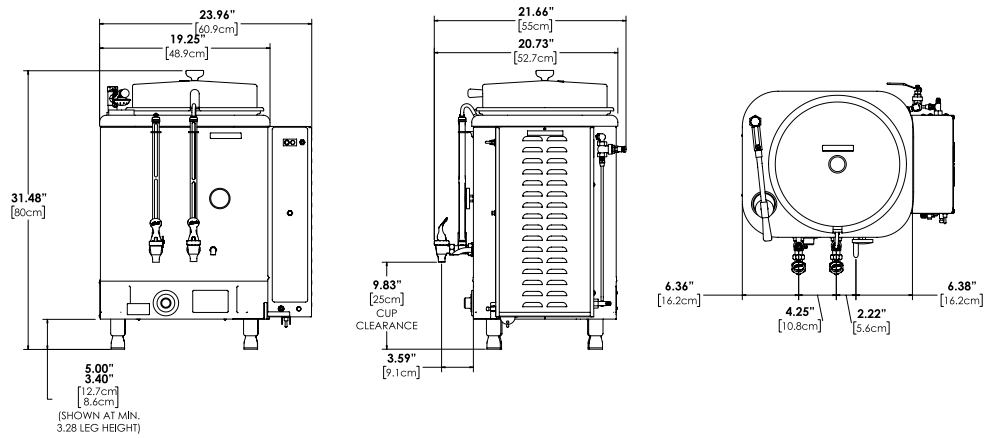
Swing-spray head evenly saturates coffee grounds for complete extraction.

Automatic Coffee Urns

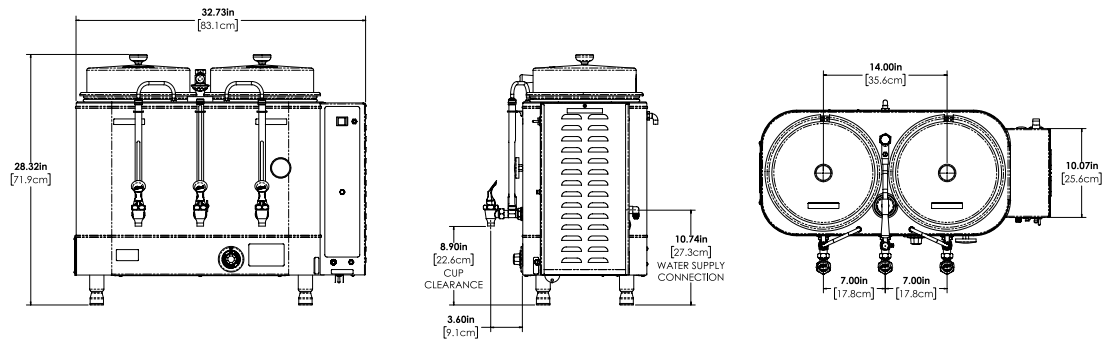
RU-150-12



RU-225-12

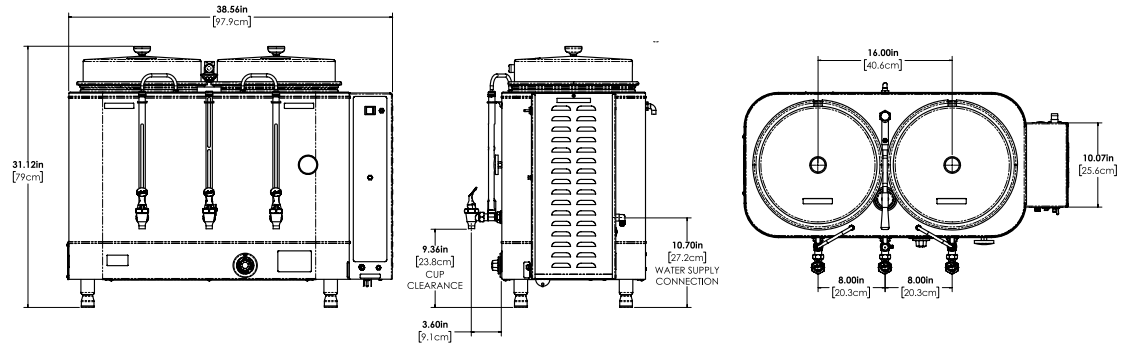


URN-300-12

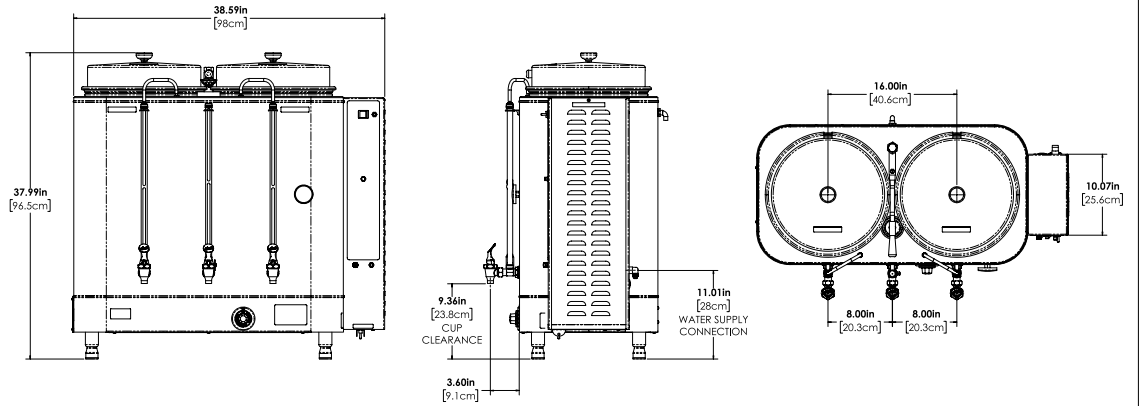


Automatic Coffee Urns

URN-600-12



URN-1000-12



Automatic Coffee Urns

Dimensions

MODEL #	DESCRIPTION	CUP CLEARANCE	HEIGHT x WIDTH x DEPTH	BREWER FILL WEIGHT	BREWED GAL/HR
RU-150-12	Automatic Coffee Urns - Single 3 Gallon	9.75"	28.58" x 24.16" x 21.03"	144.7 lbs.	13.0
RU-150-20	Automatic Coffee Urns - Single 3 Gallon, 3 PH	9.75"	28.58" x 24.16" x 21.03"	144.7 lbs.	13.0
RU-225-12	Automatic Coffee Urns - Single 6 Gallon	10.25"	31.48" x 23.96" x 21.66"	193.4 lbs.	15.0
RU-225-20	Automatic Coffee Urns - Single 6 Gallon, 3 PH	10.25"	31.48" x 23.96" x 21.66"	193.4 lbs.	15.0
URN-300-12	Automatic Coffee Urns - Twin 3 Gallon	9.0"	28.32" x 32.73" x 19.75"	245.1 lbs.	13.0
URN-300-20	Automatic Coffee Urns - Twin 3 Gallon, 3 PH	9.0"	28.32" x 32.73" x 19.75"	245.1 lbs.	13.0
URN-600-12	Automatic Coffee Urns - Twin 6 Gallon	9.5"	31.12" x 38.56" x 22.85"	311.8 lbs.	30.0
URN-600-20	Automatic Coffee Urns - Twin 6 Gallon, 3 PH	9.5"	31.12" x 38.56" x 22.85"	311.8 lbs.	30.0
URN-1000-12	Automatic Coffee Urns - Twin 10 Gallon	9.5"	37.99" x 38.59" x 22.87"	425.2 lbs.	30.0
URN-1000-20	Automatic Coffee Urns - Twin 10 Gallon, 3 PH	9.5"	37.99" x 38.59" x 22.87"	425.2 lbs.	30.0

Utility Requirements

MODEL #	PHASE	VOLTS	AMPS	ELECTRICAL						WATER			
				MIN. CIRCUIT	HEAT CONFIG	FLOW RATE	WIRE	WATTS	HERTZ	CONNECTOR	PRESSURE	MIN. FLOW RATE	TANK VOL.
RU-150-12	1 PH	220V	22.7A	30A	1 x 5000W	1.6 oz/sec	3W+G	5000W	50/60 Hz	1/4" Flare	20 - 90 psi	1.0 GPM	8.0 gal.
RU-150-20	3 PH	220V	13.8A	15/20A	3 x 1750W	1.6 oz/sec	3W+G	5200W	50/60 Hz	1/4" Flare	20 - 90 psi	1.0 GPM	8.0 gal.
RU-225-12	1 PH	220V	31.8A	40A	2 x 3500W	1.8 oz/sec	3W+G	7000W	50/60 Hz	1/4" Flare	20 - 90 psi	1.0 GPM	13.0 gal.
RU-225-20	3 PH	220V	20.0A	15/30A	3 x 2500W	1.8 oz/sec	3W+G	7500W	50/60 Hz	1/4" Flare	20 - 90 psi	1.0 GPM	13.0 gal.
URN-300-12	1 PH	220V	27.3A	30A	2 x 3000W	1.6 oz/sec	3W+G	6000W	50/60 Hz	1/4" Flare	20 - 90 psi	1.0 GPM	18.0 gal.
URN-300-20	3 PH	220V	20.0A	15/30A	3 x 2500W	1.6 oz/sec	3W+G	7500W	50/60 Hz	1/4" Flare	20 - 90 psi	1.0 GPM	18.0 gal.
URN-600-12	1 PH	220V	45.5A	50A	2 x 5000W	1.8 oz/sec	3W+G	10,000W	50/60 Hz	1/4" Flare	20 - 90 psi	1.0 GPM	23.0 gal.
URN-600-20	3 PH	220V	27.6A	15/40A	3 x 3500W	1.8 oz/sec	3W+G	10,500W	50/60 Hz	1/4" Flare	20 - 90 psi	1.0 GPM	23.0 gal.
URN-1000-12	1 PH	220V	45.5A	50A	2 x 5000W	1.8 oz/sec	3W+G	10,000W	50/60 Hz	1/4" Flare	20 - 90 psi	1.0 GPM	33.0 gal.
URN-1000-20	3 PH	220V	27.5A	15/40A	3 x 3500W	1.8 oz/sec	3W+G	10,500W	50/60 Hz	1/4" Flare	20 - 90 psi	1.0 GPM	33.0 gal.



WARNING - These products can expose you to chemicals including Acrylamide and Bisphenol A (BPA), which are known to the State of California to cause cancer and birth defects or other reproductive harm. For more information visit www.P65Warnings.ca.gov

