



T&S BRASS AND BRONZE WORKS, INC.
 2 Saddleback Cove / P.O. Box 1088
 Travelers Rest, SC 29690

Model No.

MV-2516-41

Item No.

Travelers Rest, SC: 800-476-4103 • Simi Valley, CA: 800-423-0150 • Fax: 864-834-3518 • www.tsbrass.com

This Space for Architect/Engineer Approval

Job Name _____ Date _____

Model Specified _____ Quantity _____

Customer/Wholesaler _____

Contractor _____

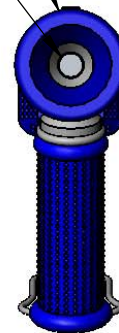
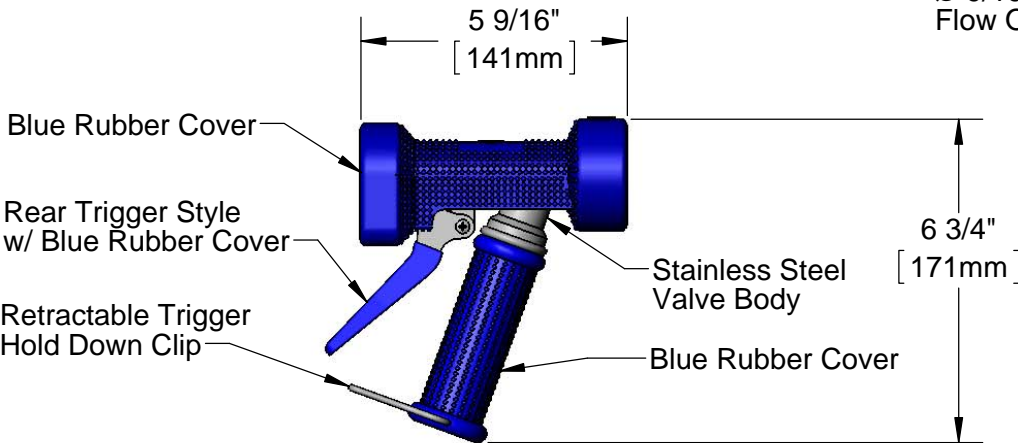
Architect/Engineer _____



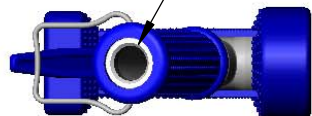
T&S Logo on Top

Ø 2 5/16"
[Ø 59mm]

Ø 9/16"
Flow Orifice



1/2" NPT
Female Inlet



1/2" NPT x 1/2"
Hose Barb Connector
(Included)

Product Specifications:

Stainless Steel Water Gun w/ Blue Rubber Cover, Rear Style Trigger, Ø 9/16" Flow Orifice & 1/2" NPT x 1/2" Hose Barb Connector

Product Compliance:

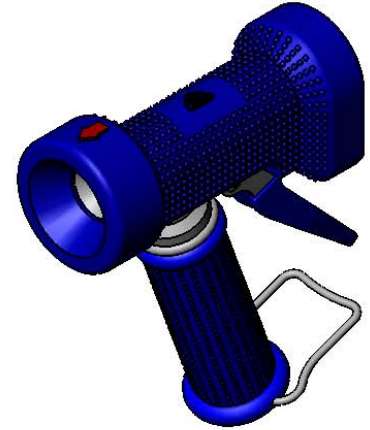
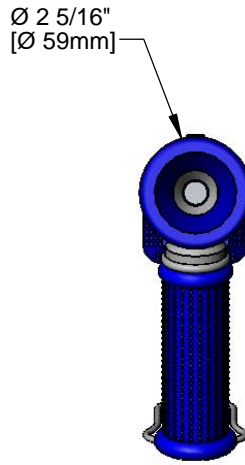
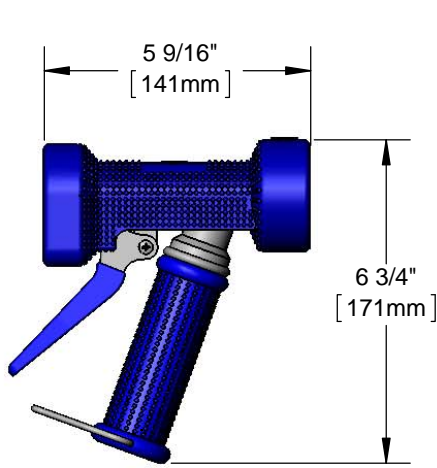
NSF 61 Exempt (Non-Potable)



Architect/Engineering Specifications:

Heavy duty rear trigger water gun, stainless steel with blue rubber cover, Ø 9/16" flow orifice and 1/2" NPT x 1/2" hose barb connector.

Job Name _____
Model Specified _____ Quantity _____
Variations Specified _____
Date _____



Features & Benefits:

- Heavy duty rear trigger water gun
- Stainless steel with blue rubber cover
- High flow washdown water gun
- Rubber covered trigger
- Ø 9/16" flow orifice
- 1/2" NPT x 1/2" hose barb connector
- Material: Stainless steel and rubber

Product Compliance:

- NSF 61 Exempt (Non-Potable)

Warranty: One Year (Limited)

Performance Data:

- Pressure: 20 - 125 psi
- Temperature: 40 °F - 200 °F
- Flow Rate: 10.10 GPM @ 60 psi

