



K-161/K-161-LU 6" GOOSENECK SPLASH MOUNT FAUCET

Conforms To NSF 61/9 Lead Free Requirements



K-161-LU

Faucet with Wrist
Handles Available



Click This Link To
View Assembly Sheet

Item #: _____ Qty #: _____
 Model #: _____
 Project #: _____

**FAUCET AERATOR CONFORM TO
 ASTM.A112.18.1M • 2.2 GPM/8.3 LPM
 THREAD: 55/64 - 27 FEMALE**

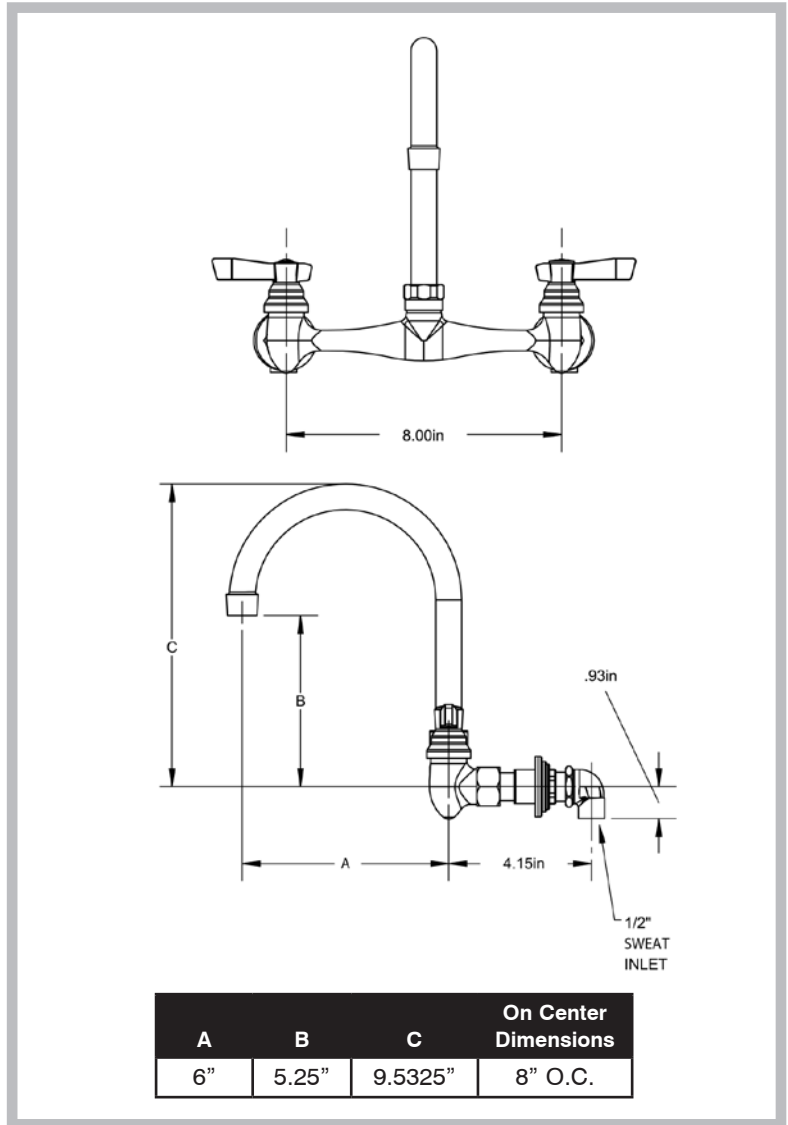
FEATURES:

- 6" swivel gooseneck spout.
- 8" O.C. water supply.
- Quarter-turn wedge style handles.
- Colored hot & cold Indexes.
- 2.2 GPM/8.3 LPM Aerator. 60 PSI.

MATERIAL:

- Brass chrome plated body & spout.
- Chrome plated handles.

DIMENSIONS and SPECIFICATIONS



Options & Accessories

**6" Replacement
Swing Spout
K-161SP**



**Replacement Cartridges
K-07 (Set)**



**Faucet Mounting Kit
K-06**



**Wrist Handles
K-416-LU (Set)**



WARNING: Faucets on this page may expose you to chemicals, including lead, that are known to the State of California to cause cancer or birth defects or other reproductive harm. For more info., visit www.p65warnings.ca.gov.



Customer Service Available To Assist You 1-800-645-3166 8:30 am - 7:00 pm E.S.T.

For Orders & Customer Service:
 Email: customer@advancetabco.com or Fax: 631-242-6900

For Smart Fabrication™ Quotes:
 Email: smartfab@advancetabco.com or Fax: 631-586-2933