

SERVER®

• E S S E N T I A L S •

Food Container Pumps Server Express® Direct Pour Dispensers

SPECIFICATION SHEET

FAST FACTS

Server Express Direct Pour Dispensers utilize a 1.3-gal jar, dispense 1 oz max portions adjustable in 1/4 oz increments and are ADA Compliant with less than five pounds of pressure required to dispense.

APPLICATIONS

- Meet the rising demand for both authentic flavors and off-premise dining
- Models for countertop or drop-in applications

DETAILS

- Offers convenience not found in volume packaging to dispense fresh, house-made sauces and condiments
- Manage food costs and flavor with precise portion-control
- Branding-ready – incorporate your brand and flavors for quick product identification
- Countertop and drop-in models are available to suit operational needs



SE-SS DP 100236



SE-SS-DI-DP 100237

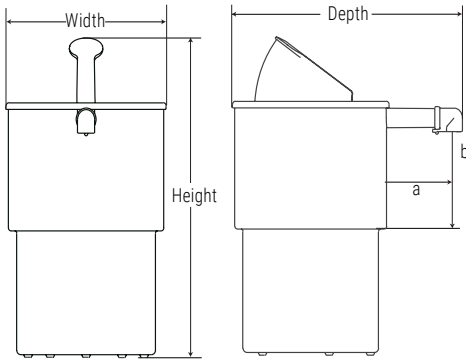
Taste-Boosting, Waste-Reducing.

SEE TABLE FOR APPLICABLE TRAITS BY MODEL	
DISPENSES KEY	THIN fountain syrups • oils • hot sauce
	THICK ketchup • mustard • mayo • bbq
	THICKER tartar sauce • crafted sauces
APP KEY	AMBIENT COLD HOT

SERVER EXPRESS® DIRECT POUR DISPENSER MODELS: SE-SS-DP & SE-SS-DI-DP

Server Express® Direct-Pour Dispensers are constructed of a stainless steel vessel with a brushed finish, surgical-quality plastic pump and stainless steel lid. Includes custom 1.3 gal jar (100280) and lid (100281). Unit dispenses thin, thick, or thicker toppings. Maximum 1 oz portion can reduce in 1/4 oz increments using adjustable lever. NSF listed, BPA Free and ADA Compliant. Two-year warranty.

Less than 5 lbs of pressure to dispense.



model/item	drop-in cutout (W x D)
SE-SS-DI-DP 100237	6 3/8" x 8 1/2"



SE-SS DP 100236



SE-SS-DI-DP 100237

order amt	dispenses	model/item	application	description	capacity	dims (H x W x D)	weight	dim a	dim b
<input type="checkbox"/>		SE-SS-DP 100236		Stainless steel, countertop	1.3 gal	10 7/16" x 6 3/8" x 13 3/16"	9 lb	4 1/4"	12 9/16"
<input type="checkbox"/>		SE-SS-DI-DP 100237		Stainless steel, drop-in		10 7/16" x 6 3/8" x 13 3/16"		4 1/4"	5 1/2"

RELATED ITEMS

Replacement Pump
[100239](#)

Replacement Jar
[100280](#)

Replacement Lid
[100281](#)

SERVE SIGNATURE SAUCES WITH EASE WITH SERVER EXPRESS™ DISPENSERS
SERVER-PRODUCTS.COM | 800.558.8722 | 262.628.5600