



# FNGSC-A

## SELF-CONTAINED MERCHANDISER



### ADVANTAGES

The natural refrigerant case solution!

- Environmentally-friendly R-290 natural refrigerant that a Global Warming Potential (GWP) of 3
- Set-point change converts from frozen to fresh food display capability
- Increased product visibility - 7" straight glass on all four sides
- Easy to service with slide out air-cooled condensing unit



### KEY FEATURES

- Self-service bulk merchandiser
- 120V plug-n-play design for fast deployment
- Dual temperature
- Good clearance under case for easy cleaning
- Easy raceway access and simplified wiring



# FNGSC-A

## STANDARD CONFIGURATION

- Color Exterior: Black, White
- Color Interior: Black, White
- Bumper Color: Black
- Glass Side Walls: Clear
- Shelves: None
- LED Lighting: None
- Adjustable Leveling Legs: Yes
- Refrigerant: R-290
- Power Cord: Two 8 Foot per Case
- Power Supply: 120V
- NEMA Plug: 5-20P
- NSF Certification: Type I
- Air Discharge: Front
- Defrost: Hot Gas

## OPTIONS

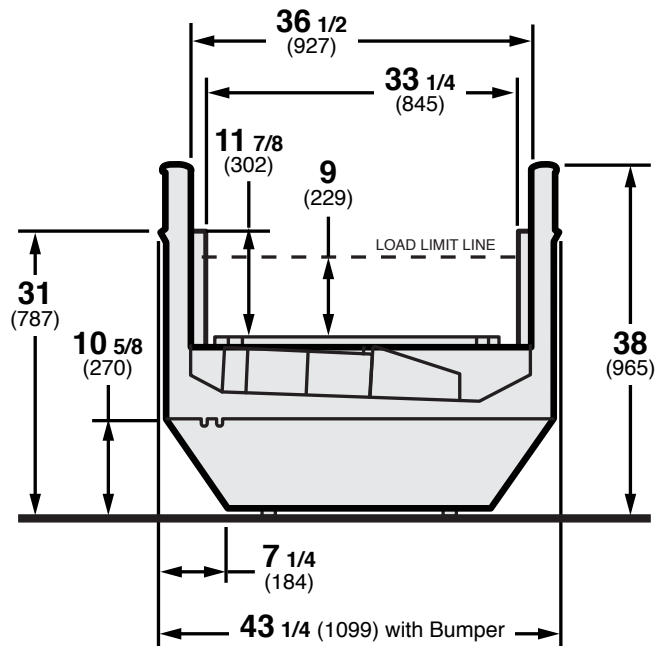
- Various paint and bumper colors
- Casters available for mobility

## TECHNICAL INFORMATION



Scan the QR code with your mobile device to access technical data sheet on [hussmann.com](http://hussmann.com)

Available in 4', 6', and 8' lengths.



We reserve the right to change or revise specifications and product design in connection with any feature of our products. Such changes do not entitle the buyer to corresponding changes, improvements, additions, or replacements for equipment previously sold or shipped. For additional resources, contact your representative or visit [www.hussmann.com](http://www.hussmann.com).

**HUSSMANN®**

**Hussmann Corporation**  
 12999 St. Charles Rock Rd.  
 Bridgeton, MO 63044-2483  
 Ph: 800.592.2060

[www.hussmann.com](http://www.hussmann.com)