



Deep Drawn 1 Compartment Drop-In Sink

Drop In Sinks

Certifications:



Features:

- Deep Drawn Construction for a seamless and appealing design
- Traditional Top Mount
- Includes BKDR-4 Drain
- Faucet Holes 4" O.C.

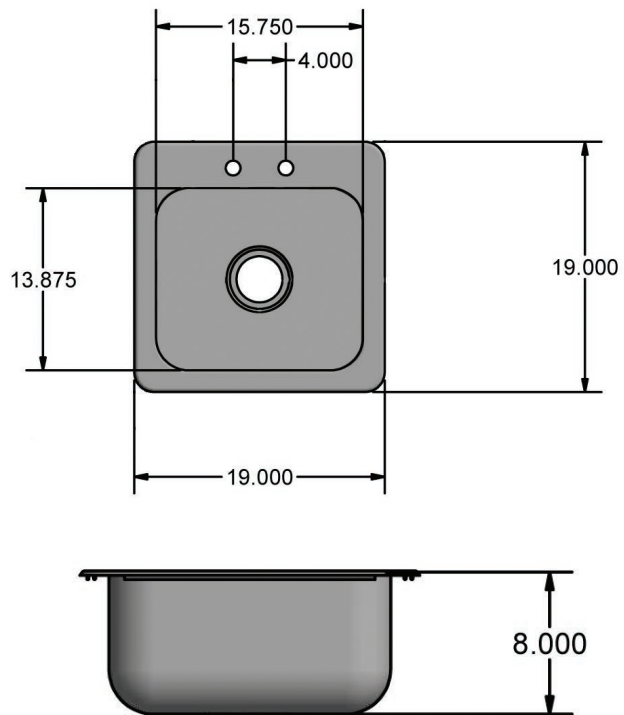
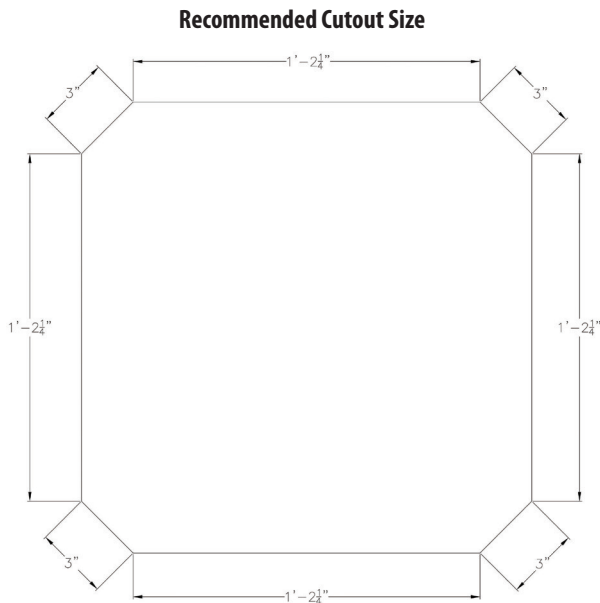
Material:

- T-304 18 ga. Stainless Steel

Options:

- Upgrade to OptiFlow Heavy Duty Faucets or Evolution Stainless Steel Faucets
- Wrist Blades
- "-P-G" Includes BKD-5G-G Lead-Free Faucet

Part Number	Unit Size (l x w x d)	Bowl Size (l x w x d)	Included Faucet	Product Weight (lbs)
DDI-1614824	19" x 19" x 8" (d)	16" x 14" x 8" (d)	-	11.00
DDI-1614824-P-G	19" x 19" x 8" (d)	16" x 14" x 8" (d)	BKD-5G-G	12.00



PRODUCT DATA SHEET

BK RESOURCES

