

APPLICATION:

PRODUCT NAME:
SINGLE DECK MOUNT BASE - SWIVEL

JOB NAME:

SPECIAL CONFIGURATION
CHECK BASE MODEL AND OPTIONS

QUANTITY:

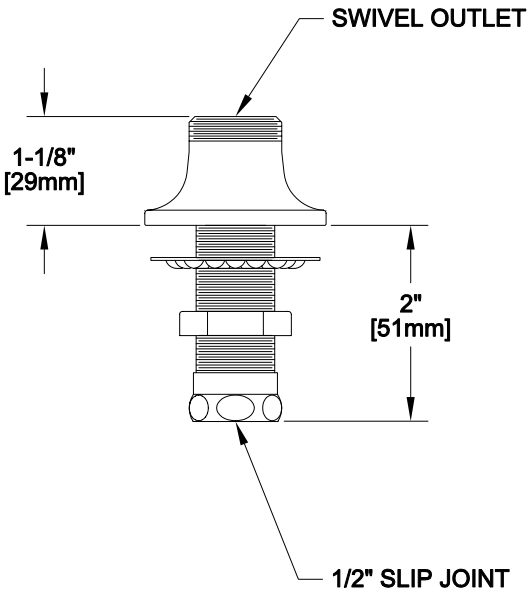
ITEM NO.

MODEL:
 3800

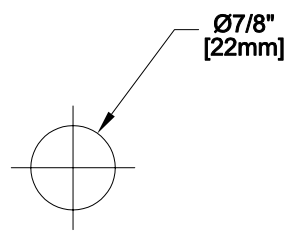
OPTIONS OR MODIFICATIONS:
 OTHER _____

FEATURES

SHIPPING WEIGHT
* 0.75 LBS



ROUGH-IN:



FISHER MANUFACTURING COMPANY
 TOLL FREE: 800-421-6162 - FAX: 800-832-8238
 information@fisher-mfg.com - www.fisher-mfg.com