

"PB-DIS1515" PRO-BOWL HAND SINKS

Drop-In, (1) 12½"x10½"x6" Bowl

FEATURES:

- One Piece Deep Drawn Bowl
- All Sink Bowls Have Large Liberal Radii Corners
- Includes Basket Drain
- Deck Mount Faucet Holes - 4" On-Center

SPECIFICATIONS:

- Bowl: Stainless Steel Tops Are TIG Welded, Exposed Welds Are Polished To Match Adjacent Surface
- Bowl: Type 300 Stainless Steel Polish, Satin Finish
- Bracket: Type 300 Stainless Steel Polish, Satin Finish
- Drain: 3-1/2" Drain Opening, With 1-1/2" NPS Outlet Connection

CERTIFICATIONS:



ACCESSORIES

MODEL

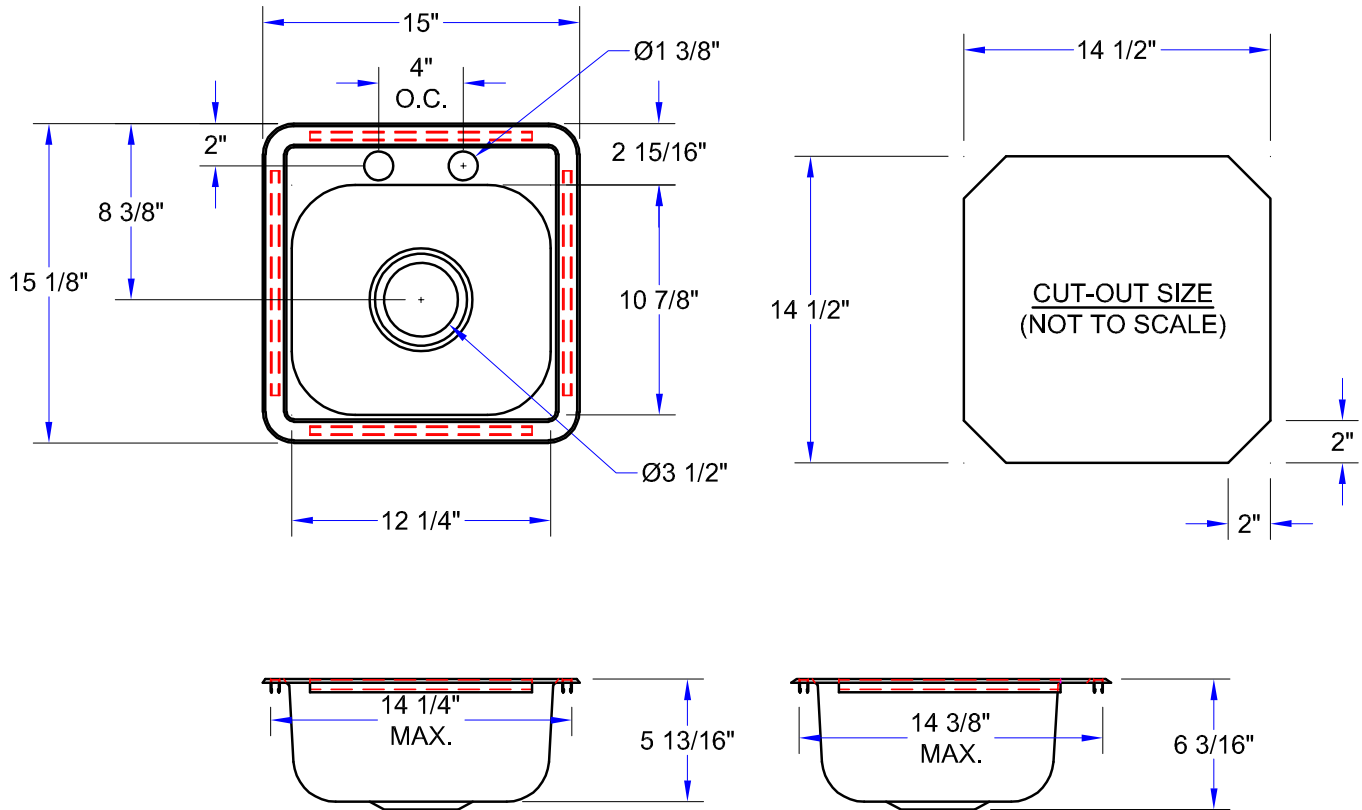
- Faucets
- Side Splash
- ADA Wrist Blades
- Towel Dispenser
- Lever Wastes
- Over Flows
- P-Traps

"PB-DIS1515" PRO-BOWL DROP-IN HAND SINKS

| MODEL | BOWL SIZE (L X W X H) | OVERALL SINK SIZE (L X W X H) | WEIGHT (LBS) |
|-----------------|-----------------------|-------------------------------|--------------|
| PB-DISINK151506 | 12-1/2"x10-1/2"x6" | 15"x15-1/8"x5-13/16" | 12 |

ALL DIMENSIONS ARE TYPICAL. TOLERANCE +/- .500". JOHN BOOS & CO. RESERVES THE RIGHT TO CHANGE SPECIFICATIONS WITHOUT NOTICE.

DETAILED SPECIFICATIONS



"PB-DIS1515" PRO-BOWL DROP-IN HAND SINKS

| MODEL | BOWL SIZE (L X W X H) | OVERALL SINK SIZE (L X W X H) | WEIGHT (LBS) |
|-----------------|-----------------------|-------------------------------|--------------|
| PB-DISINK151506 | 12-1/2"x10-1/2"x6" | 15"x15-1/8"x5-13/16" | 12 |

ALL DIMENSIONS ARE TYPICAL. TOLERANCE +/- .500". JOHN BOOS & CO. RESERVES THE RIGHT TO CHANGE SPECIFICATIONS WITHOUT NOTICE.