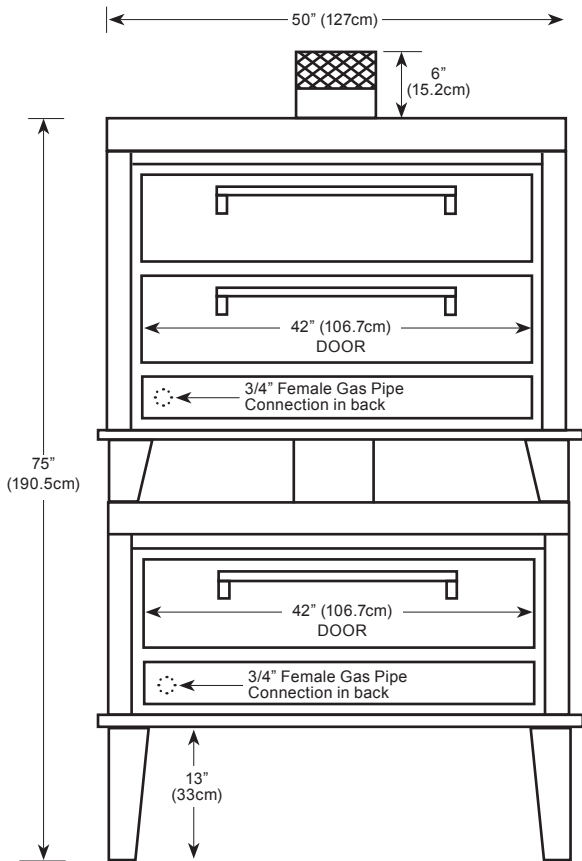


MAXIMIZER

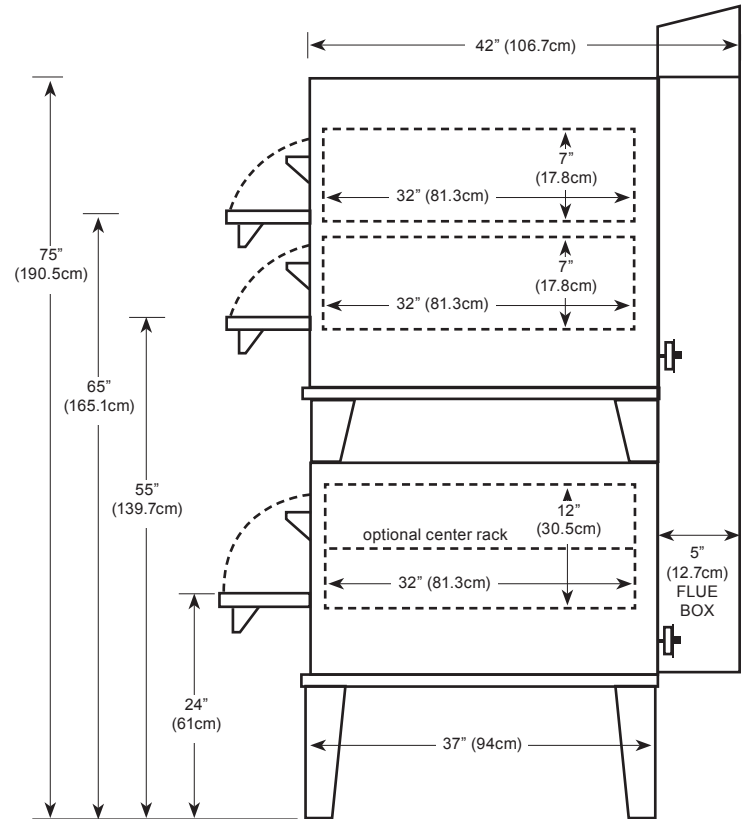
Gas Bake & Roast Ovens

MODEL CW51/CW61B

Gas Bake/Roast Ovens can be combined with gas Pizza Ovens to meet your specific needs. Contact Peerless for details.



**FRONT VIEW
CW51/CW61B**



**SIDE VIEW
CW51/CW61B**

Floor space	50" (127cm) wide x 42" (106.7cm) deep* x 75" (190.5cm) high
Shelf size CW51B	42" (106.7cm) wide x 32" (81.3cm) deep x 12" (30.5cm) high
Shelf size CW61B	42" (106.7cm) wide x 32" (81.3cm) deep x 7" (17.8cm) high
Shipping weight	1200 lbs (544.3kg)
Capacity CW51B	Two 18"x26" bun pans per section
Capacity CW61B	Four 18"x26" bun pans per section
Gas	Maximum 60,000 BTU input each (2)
Maximum opening required for installation: 31"	* Handle adds 2.5"(6.4cm) to depth

