



Special Features:

- ✓ Commercial Heavy Duty 3 Compartment Sink
- ✓ 16-Gauge Type 304 Stainless Steel Construction
- ✓ Three Large 10-24" x 15-24" Sink Bowls
- ✓ 9-3/4" Backsplash
- ✓ 16 Gauge 1-5/8" Diameter Stainless Steel Legs
- ✓ All Seams Welded & Polished, No Burrs or Sharp Edges
- ✓ Stainless Steel Adjustable Feet
- ✓ 20 Gauge Stainless Steel Leg Bracings
- ✓ NSF Listed

About Empura Heavy Duty 3 Compartment Sinks:

Empura 3 Compartment sinks make great economical sense when looking to update, or expand your existing dish washing station. Made with sturdy 16 gauge stainless steel and available with & without drainboards, they fit almost any kitchen layout. These sinks stand on stainless steel legs with adjustable plastic feet at a total height of 44.25".

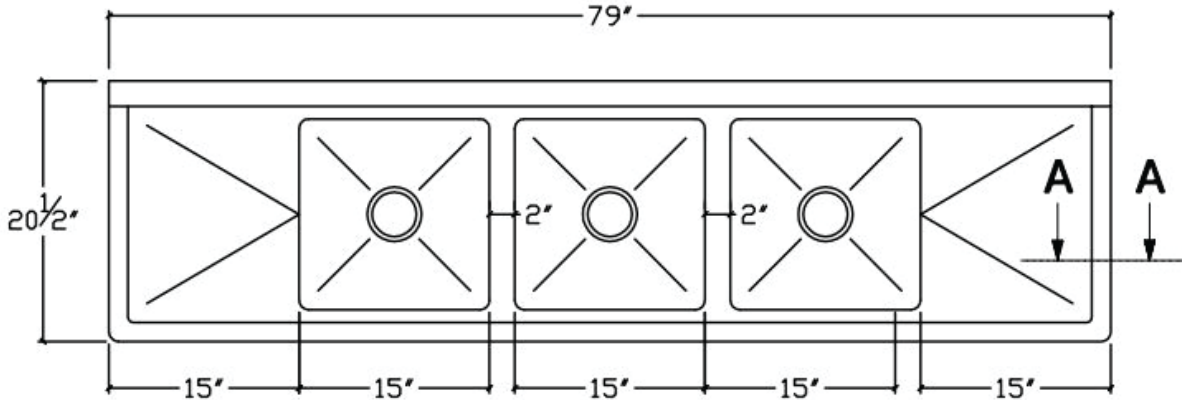
Empura compartment sinks are dependable workhorses that your kitchen staff can rely on to provide unwavering stability for washing almost any cookware, kitchen tool, or even pieces of kitchen equipment.

TECHNICAL SPECS

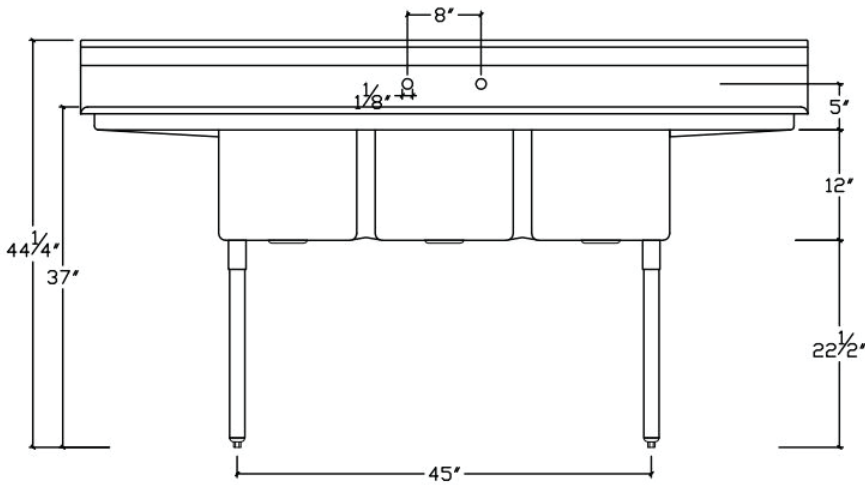
| Model # | EHD31515LR15 | EHD31818LR18 | EHD32424LR24 | EHD31014LR12 | EHD31620LR18 | EHD31824LR24 |
|------------------------|-----------------|-----------------|-----------------|-----------------|-----------------|-----------------|
| Sink Bowl Number | 3 | 3 | 3 | 3 | 3 | 3 |
| Drain Board | 1-LEFT/1-RIGHT | 1-LEFT/1-RIGHT | 1-LEFT/1-RIGHT | 1-LEFT/1-RIGHT | 1-LEFT/1-RIGHT | 1-LEFT/1-RIGHT |
| Drain Board Length | 15" | 18" | 24" | 12" | 18" | 24" |
| Overall Depth | 20.5" | 23.5" | 29.5" | 19.5" | 25.5" | 29.5" |
| Overall Width | 79" | 94" | 124" | 58" | 88" | 106" |
| Overall Height | 44.25" | 44.25" | 44.25" | 44.25" | 44.25" | 44.25" |
| Stainless Gauge / Type | 16G / 304 | 16G / 304 | 16G / 304 | 16G / 304 | 16G / 304 | 16G / 304 |
| Leg Height | 22.5" | 20.5" | 20.5" | 24.5" | 20.5" | 20.5" |
| Leg & Foot Material | Stainless Steel | Stainless Steel | Stainless Steel | Stainless Steel | Stainless Steel | Stainless Steel |
| Leg Material Gauge | 16 | 16 | 16 | 16 | 16 | 16 |
| Foot Style | Adjustable | Adjustable | Adjustable | Adjustable | Adjustable | Adjustable |
| Backsplash Height | 9-3/4" | 9-3/4" | 9-3/4" | 9-3/4" | 9-3/4" | 9-3/4" |
| Bowl Length | 15" | 18" | 24" | 10" | 16" | 18" |
| Bowl Width | 15" | 18" | 24" | 14" | 20" | 24" |
| Bowl Depth | 12" | 14" | 14" | 10" | 14" | 14" |
| Drain Basket | 3.5" Included | 3.5" Included | 3.5" Included | 3.5" Included | 3.5" Included | 3.5" Included |
| Grade | Heavy Duty | Heavy Duty | Heavy Duty | Heavy Duty | Heavy Duty | Heavy Duty |
| Weight | 70.55 lb | 98.79 lb | 139.42 lb | 53.28 lb | 101.75 lb | 115.72 lb |

EHD31515LR15

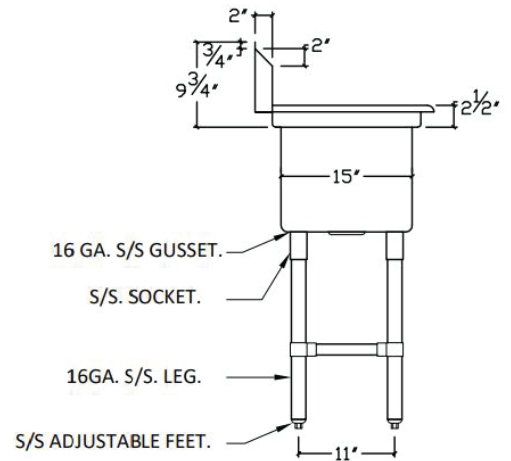
Top View



Front View



Side View

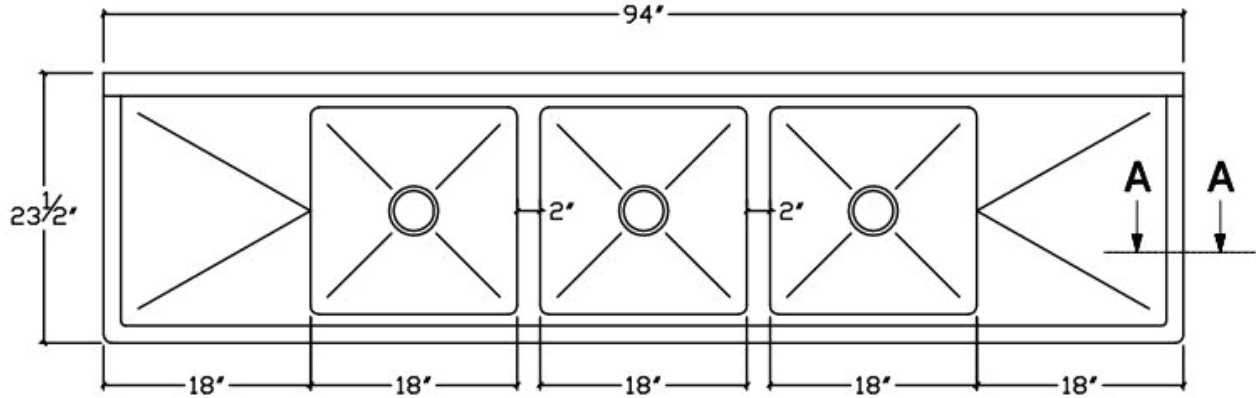


Intended For Commercial Use Only. Empura assumes no liability for component failure, factory defects or any other damages for units installed in non-commercial foodservice or residential applications.

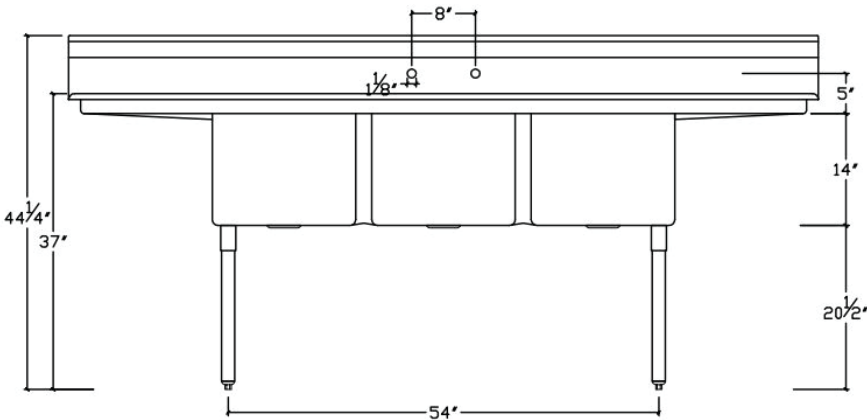
Attention CA Residents: This product can expose you to chemicals including lead, which are known to the State of California to cause cancer, birth defects, or other reproductive harm. For more information, go to www.p65warnings.ca.gov.

EHD31818LR18

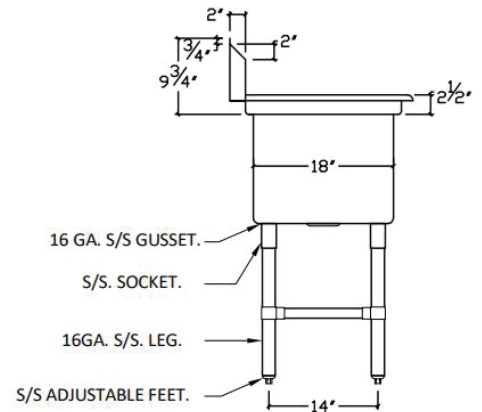
Top View



Front View



Side View

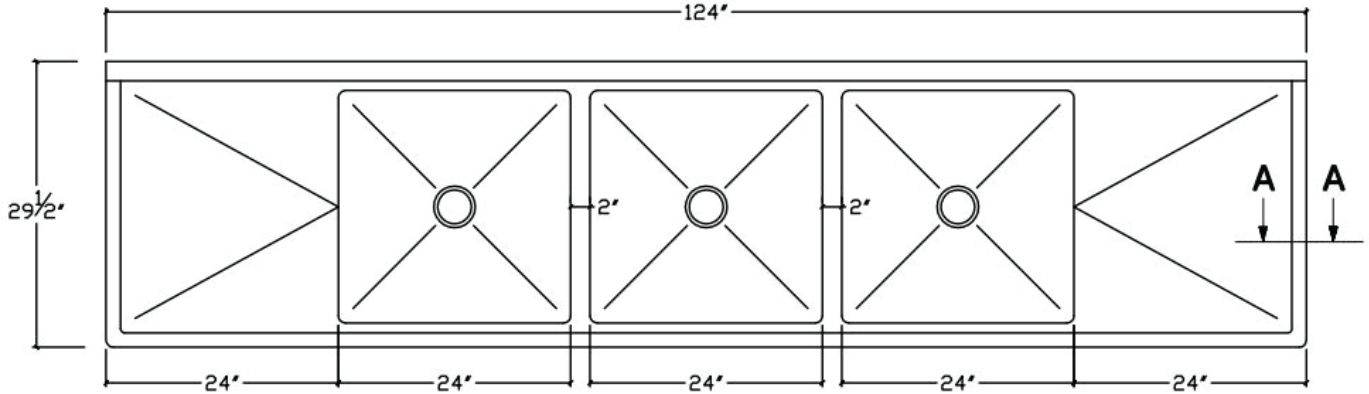


Intended For Commercial Use Only. Empura assumes no liability for component failure, factory defects or any other damages for units installed in non-commercial foodservice or residential applications.

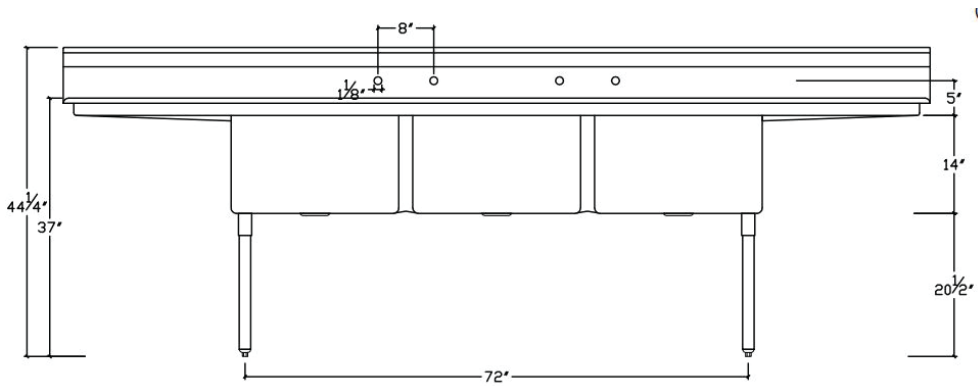
Attention CA Residents: This product can expose you to chemicals including lead, which are known to the State of California to cause cancer, birth defects, or other reproductive harm. For more information, go to www.p65warnings.ca.gov.

EHD32424LR24

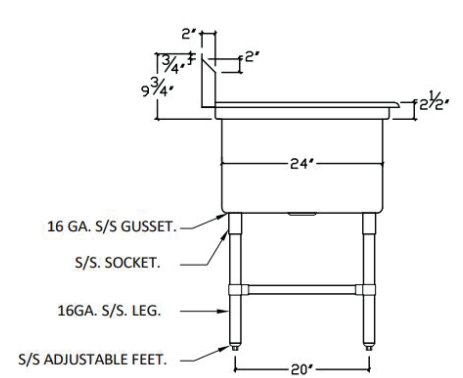
Top View



Front View



Side View

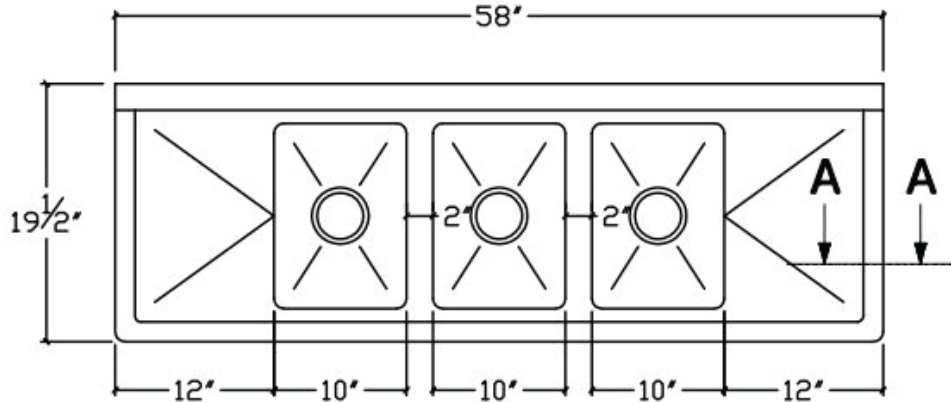


Intended For Commercial Use Only. Empura assumes no liability for component failure, factory defects or any other damages for units installed in non-commercial foodservice or residential applications.

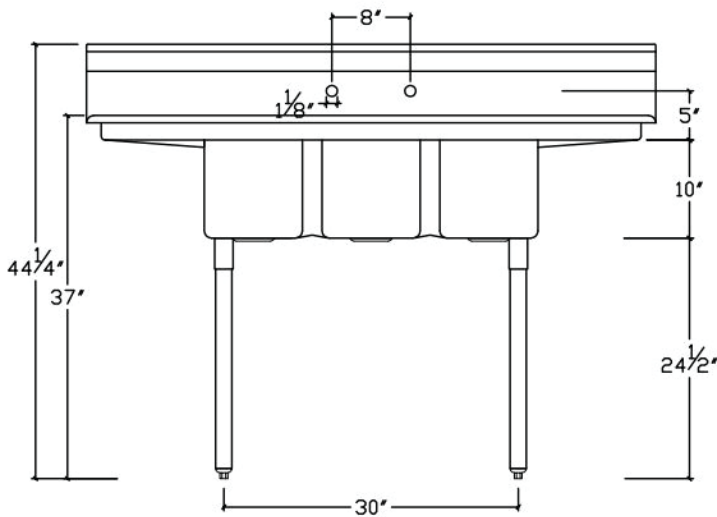
Attention CA Residents: This product can expose you to chemicals including lead, which are known to the State of California to cause cancer, birth defects, or other reproductive harm. For more information, go to www.p65warnings.ca.gov.

EHD31014LR12

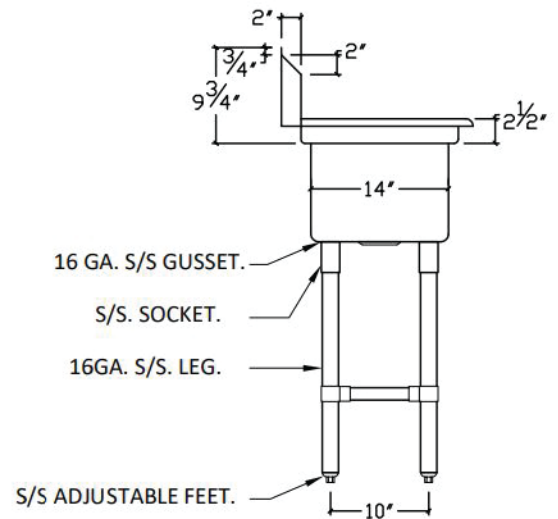
Top View



Front View



Side View

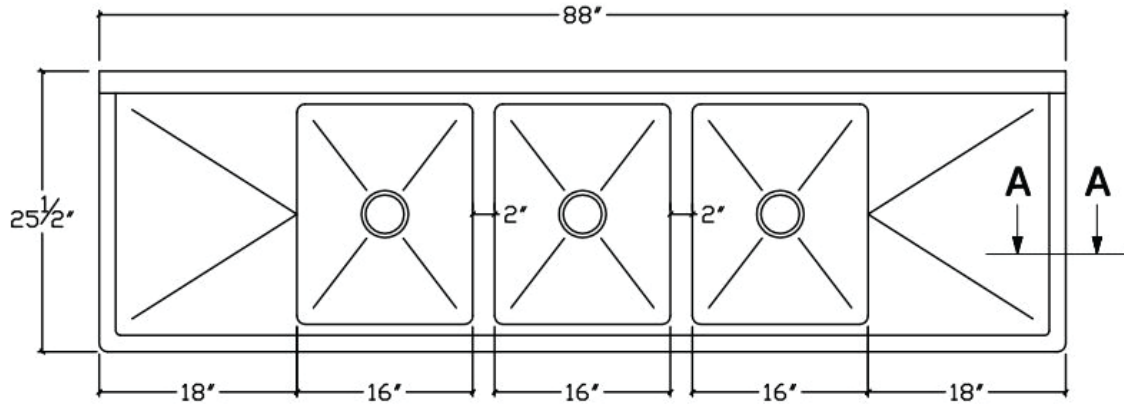


Intended For Commercial Use Only. Empura assumes no liability for component failure, factory defects or any other damages for units installed in non-commercial foodservice or residential applications.

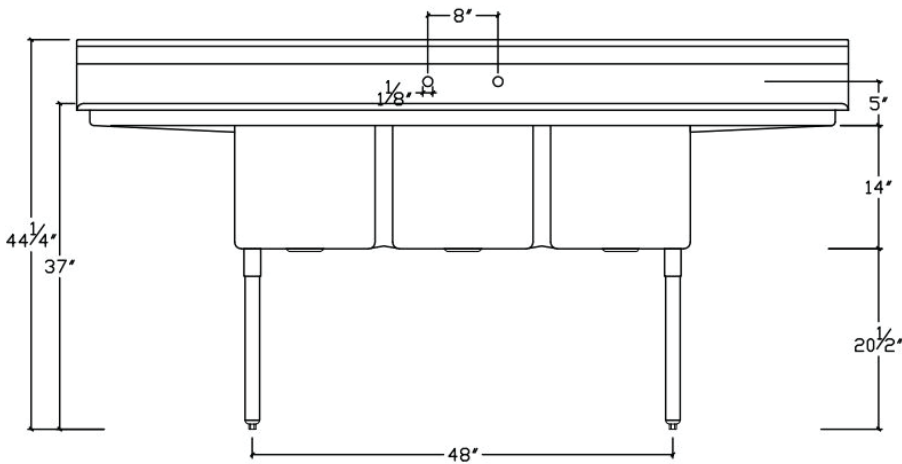
Attention CA Residents: This product can expose you to chemicals including lead, which are known to the State of California to cause cancer, birth defects, or other reproductive harm. For more information, go to www.p65warnings.ca.gov.

EHD31620LR18

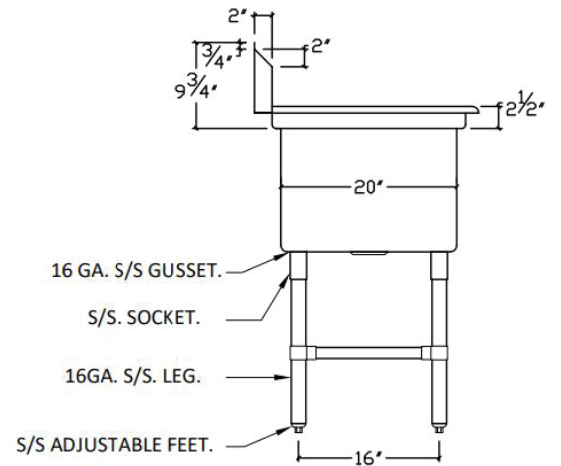
Top View



Front View



Side View

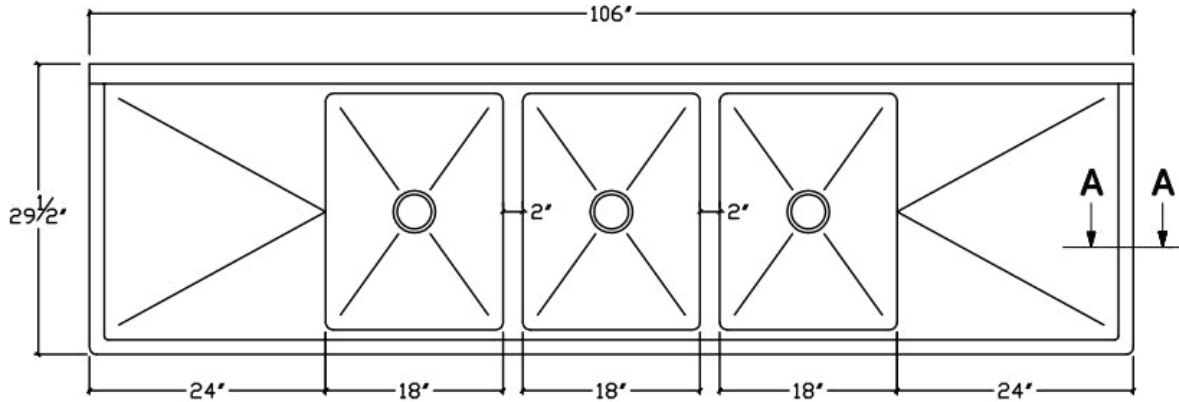


Intended For Commercial Use Only. Empura assumes no liability for component failure, factory defects or any other damages for units installed in non-commercial foodservice or residential applications.

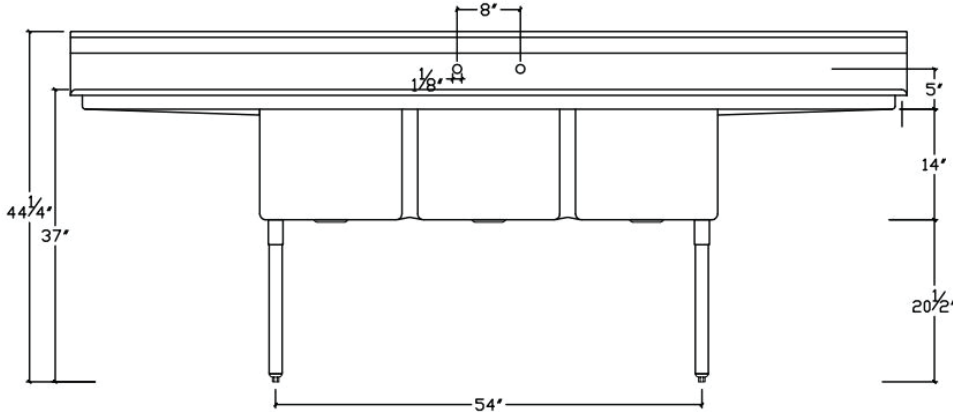
Attention CA Residents: This product can expose you to chemicals including lead, which are known to the State of California to cause cancer, birth defects, or other reproductive harm. For more information, go to www.p65warnings.ca.gov.

EHD31824LR24

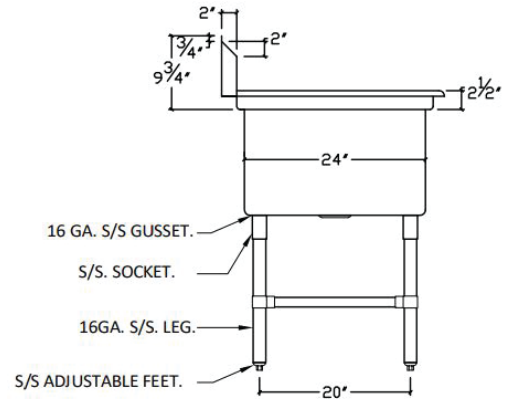
Top View



Front View



Side View



Intended For Commercial Use Only. Empura assumes no liability for component failure, factory defects or any other damages for units installed in non-commercial foodservice or residential applications.

Attention CA Residents: This product can expose you to chemicals including lead, which are known to the State of California to cause cancer, birth defects, or other reproductive harm. For more information, go to www.p65warnings.ca.gov.