

Project: _____	AIA# _____
Item #: _____ Qty: _____	SIS# _____
Model #: _____	

**Double Speed Rails
& Locking Covers**

(model numbers on reverse side)

Standard Features



DSR-24

- All stainless steel construction
- Open step-and-rail design for easy cleaning and better view of bottles
- Radius corners on steps and rails for easy cleaning
- PVC sound deadening covers
- Single step models also available - see spec SSR
- Locking covers are available (see reverse side for model numbers)
- Available in 1" incremental lengths from 12" up to 84". NOTE: Units larger than 48" also include a center support.
- Rails have a clear snap-on liquor identification label cover



Intertek

4004503

Conforms to ANSI/NSF STD 2

To view cleaning and care instructions, please visit: https://www.glastender.com/PDF/F-423-011_ss_clean_care.pdf

Specifications

Materials

- 20 gauge stainless steel parts include: steps, rails, and locking covers
- 14 gauge stainless steel parts include: ends
- PVC step and rail covers

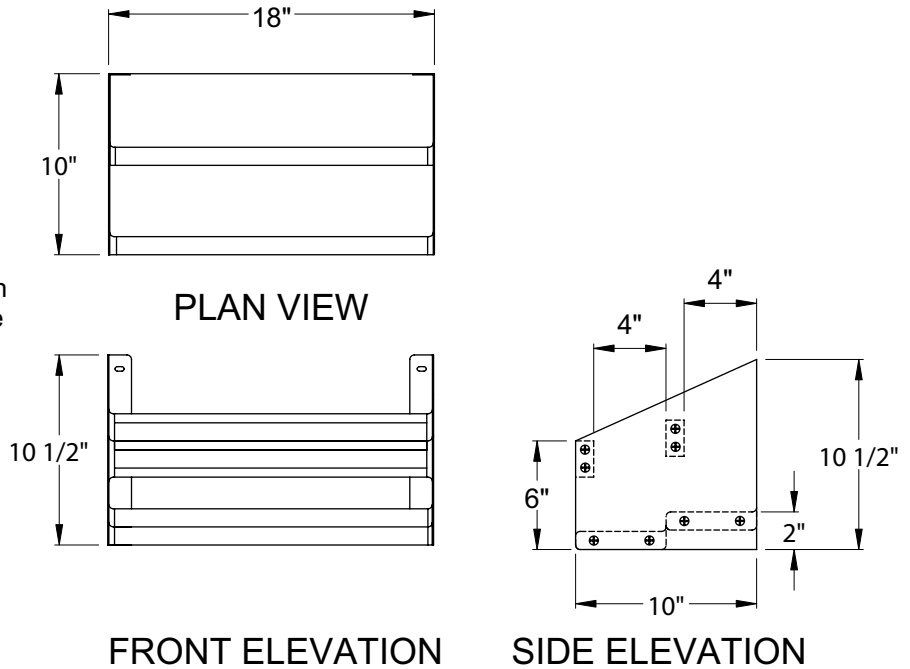
Glastender, Inc. • 5400 N Michigan Rd • Saginaw, MI • 48604-9780 989.752.4275 • 800.748.0423 • Fax 989.752.4444 www.glastender.com	Approval/Notes:
Specifications subject to change without notice. For current specifications please visit our website.	

Double Speed Rails and Locking Covers

Dimensional Information

DSR- X

Double Speed Rails are available in one inch increments from 12" to 84" in length. The model number designation is DSR- X , where X = the length of the unit in inches. Double speed rails over 48" also have a center support.



DSRC- X

Double Speed Rail Locking covers are available in one inch increments from 12" to 48". The model number designation is DSRC- X , where X = the length of the unit in inches. Use multiple covers for speed rails longer than 48". (NOTE: Double speed rail locking covers are actually just two single speed rail locking covers.)

