

Glastender®

A family company manufacturing in the USA

www.glastender.com



CS1RB40
Stainless steel
doors, and top



Intertek



Intertek

4004503

Conforms to NSF/ANSI STD 7
and UL STD 471

Certified to CSA STD C22.2 No. 120

Listed to NSF Standard 7

for open food as a storage refrigerator

Standard Features

- Remote refrigeration
- Stainless steel interior
- Locking doors
- LED interior lighting
- Heated mullion to minimize condensation
- Three adjustable, coated-wire shelves per door section
- Stainless steel evaporator housing with separate removable evaporator drain pan

Project: _____	AIA# _____
Item #: _____ Qty: _____	SIS# _____
Model #: _____	

Coolers Shallow Depth, One Zone, Remote, Bar Profile

CS1RB

CS1RB40, CS1RB48, CS1RB60,
CS1RB72, CS1RB80

CONFIGURATION HIGHLIGHT



Configurable Options

Temperature:

- Beer/Food - 34°F to 40°F
- White wine - 50°F to 55°F
- Red wine - 60°F to 65°F

Expansion Valve Type:

- R448A/R449A
- R134a/R513A
- R404A/R452A
- R407A/R407F

Refrigeration Hook-Up

Location:

- Left or Right

Door Style & Finish (specify per door section):

- Black vinyl-clad
- Stainless steel
- Jeweled stainless
- Laminated
- Unlaminated
- Glass, black vinyl-clad
- Glass, stainless steel
- Glass, jeweled stainless
- Glass, laminated

Door Hinge Location (specify for each door):

- Left or Right

Door Handle:

- Signature
- Pull-tab
- Tube

Top Style:

- No finished top
- Stainless top

Left and Right Side Finish:

- Black vinyl-clad
- Stainless steel

Back Finish:

- Galvanized steel
- Stainless steel

LED Lighting Style:

- Bright white (7,000k)
- Warm white (3,500k)
- Amber (2,700k)
- Blue

Glastender, Inc. • 5400 N Michigan Rd • Saginaw, MI • 48604-9780
989.752.4275 • 800.748.0423 • Fax 989.752.4444
www.glastender.com

Approval/Notes:

Specifications subject to change without notice. For current specifications please visit our website.

Coolers - Shallow Depth, One Zone, Remote, Bar Profile

Specifications

		CS1RB40	CS1RB48	CS1RB60	CS1RB72	CS1RB80
Dimensions	Length	40"	48"	60"	72"	80"
	Number of Sections	2	2	3	3	4
	Door Opening	16"	20"	16"	20"	16"
Electrical	Electrical Supply	120V, 1 phase, 60 Hz, dedicated 15A circuit required				
	Full Load Amps	1.5				
	Plug Type	No plug, hard wire connection				
Refrigeration	Refrigerant	As specified				
	Compressor	N/A				
	System Capacity Requirements	1075 BTUH	1175 BTUH	1350 BTUH	1450 BTUH	1650 BTUH
Plumbing		Drains via a supplied length of six foot 1/2" ID by 5/8" OD vinyl tubing via available knock-out holes, connection made in field				
Weight Bearing Capacity		Countertops and other accessories should not exceed 500 pounds per door				

Electrical

- 14 gauge wire connection is made inside the cooler next to evaporator housing - interior access is through one of the 3/4" side knock-out holes (electrician's choice)

Materials

- Stainless steel parts include: exterior sub-top, interior, front of cabinet, hinges, hinge and lock brackets, and optional legs
- Black vinyl-clad steel parts include: standard sides, doors and compressor cover
- Galvanized steel parts include: back and bottom
- Zinc plated CR steel parts include: leg sockets

Refrigeration

- Expansion valve & temperature control included; specify type when ordering
- BTU/hr design loads are figured assuming 85° F ambient, 15° F evaporator temperature, all glass doors, maximum internal loading, and average compressor cycling, no solar heat gain has been accounted for

Capacities

	CS1RB40	CS1RB48	CS1RB60	CS1RB72	CS1RB80
12 oz. bottles, cases	7.1	8.8	11.8	14.3	16.4
750ml wine bottles	66	86	110	146	152
1/2 barrel kegs	N/A	N/A	N/A	N/A	N/A
1/6 barrel kegs	N/A	N/A	N/A	N/A	N/A
Capacity values below are per door/drawer section (750ml wine bottles)					
Drawers	N/A	N/A	N/A	N/A	N/A
Upright pull-out	N/A	N/A	N/A	N/A	N/A
Horizontal pull-out	N/A	N/A	N/A	N/A	N/A
Combination pull-out	N/A	N/A	N/A	N/A	N/A



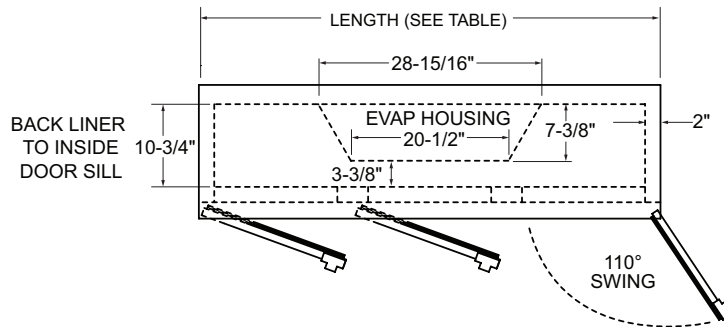
5400 N Michigan Rd • Saginaw, MI • 48604-9780
 989.752.4275 • 800.748.0423 • Fax 989.752.4444
www.glastender.com

Printed in USA

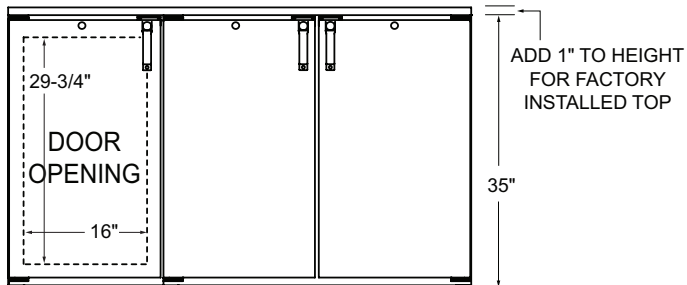
Coolers - Shallow Depth, One Zone, Remote, Bar Profile

Drawings

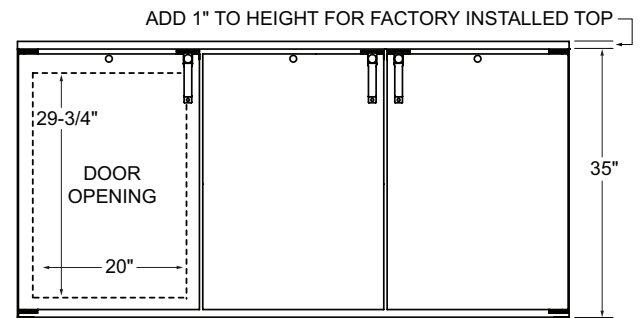
PLAN VIEW



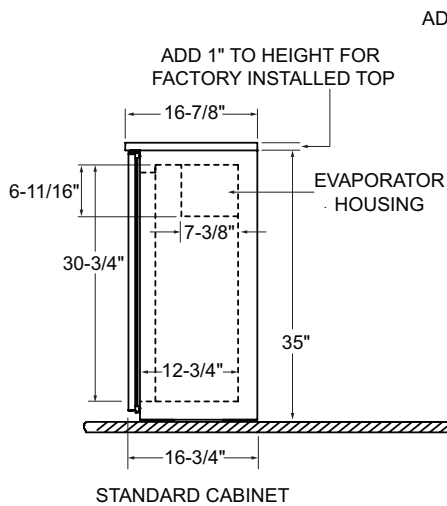
FRONT VIEW 16" DOOR OPENING



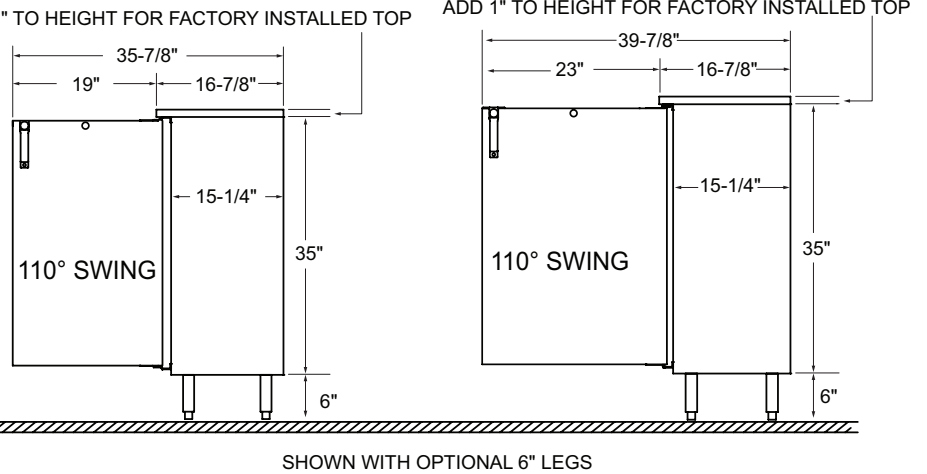
FRONT VIEW 20" DOOR OPENING



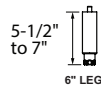
SIDE VIEW 16" DOOR OPENING



SIDE VIEW 20" DOOR OPENING



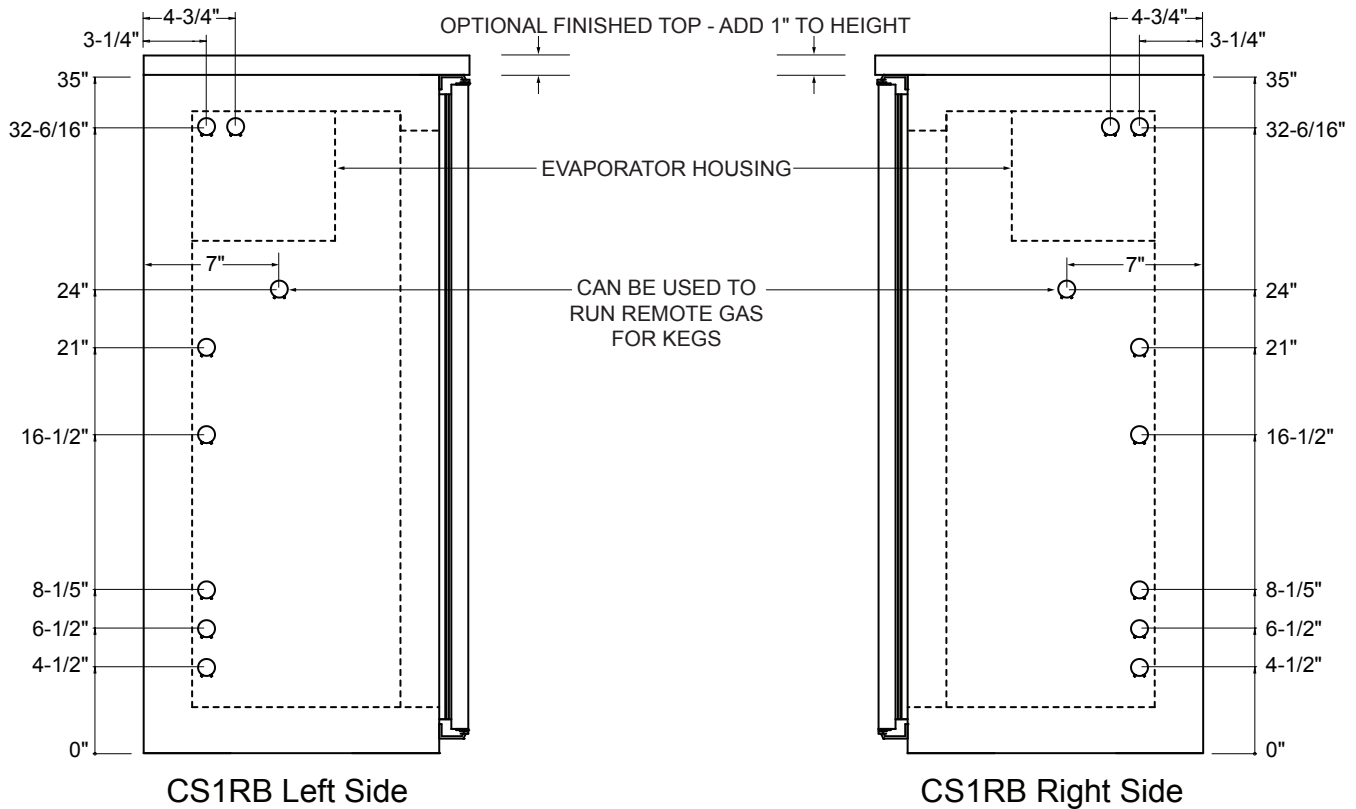
OPTIONAL LEGS



Coolers - Shallow Depth, One Zone, Remote, Bar Profile

Knockout Dimensional Information

SIDE VIEW



Knockout holes will appear on the side specified for refrigeration hook-up. The series of knockouts from top to bottom allow installation flexibility to run refrigeration lines, electrical, and drain lines in various locations. There are line covers provided on the interior of the box to cover the lines.