

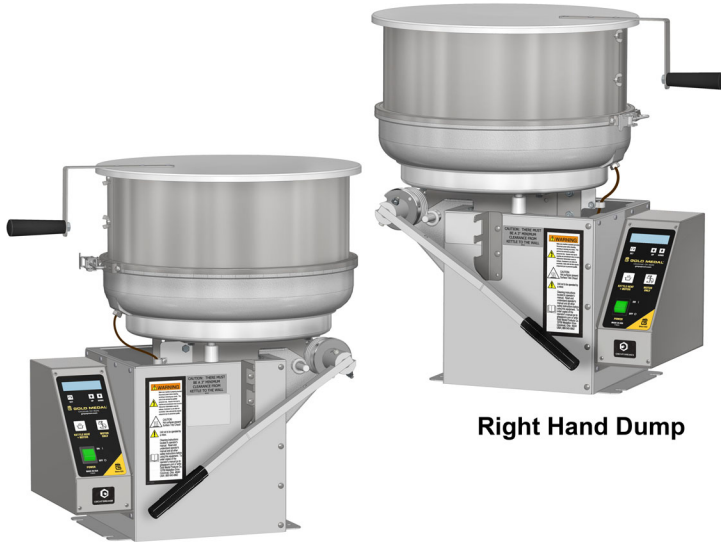


GOLD MEDAL® PRODUCTS CO.

Pralinator

Model No. 2181-00-200 and 2181-00-210

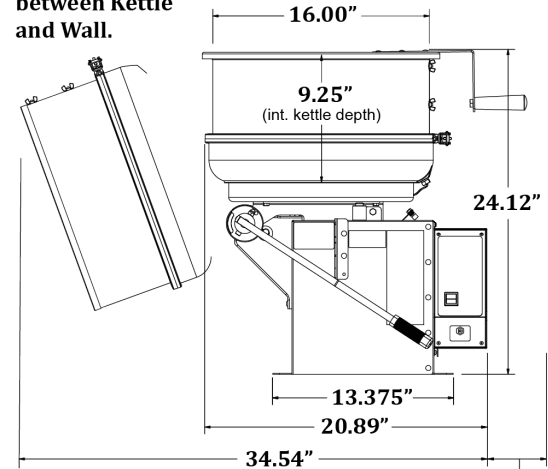
Specifications



Left Hand Dump

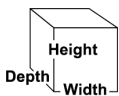
Right Hand Dump

3" Min. Clearance between Kettle and Wall.



6" Recommended Min. Clearance between Wall and Cntl Box for Service.

General RH Unit shown above for dim. reference.



Overall Dimensions:

- Width:** 20.89" (53 cm)
- Depth:** 17.6" (44.7 cm)
- Height:** 24.12" (61.3 cm)

Reference drawing shown for additional dimensions and clearances required.

Electrical - Domestic

- 120/208 OR 120/240V
- 3408 WATTS 60 Hz
- (NEMA L14-20P) Plug

Unit designed to operate on single phase, 20 AMP, 4 wire supply (2 Hot, 1 Neutral, 1 Ground). Wall receptacle is supplied with unit.

Features:

- **Model 2181 (200)** - Right Hand Dump
- **Model 2181 (210)** - Left Hand Dump
- Yields 4 to 4.5 lbs. finished product per batch
- Membrane Keypad Control with 2-line digital display
- Cast Aluminum Kettle with Stainless Steel Drum

Plug Type:



Agency Approvals:



Optional Conversion Kits (kits sold separately):

Corn Treat: 2175KIT (Drum/Paddles)

Fudge: 2183PAD (Paddle)

Reference Spec Sheet for Kits for further details.



Gold Medal Products Co.
10700 Medallion Drive, Cincinnati, OH 45241

Ph: (513) 769-7676, (800) 543-0862; Fax: (513) 769-8500
gmpopcorn.com info@gmpopcorn.com