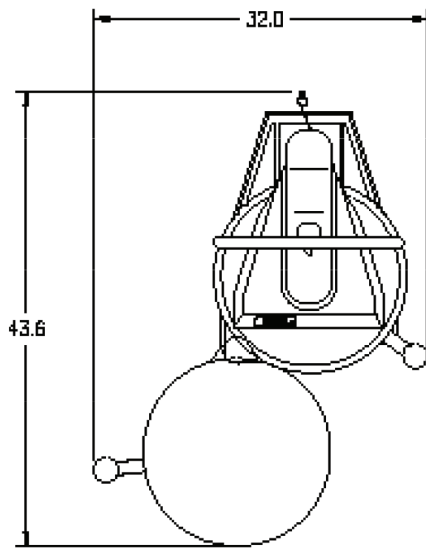
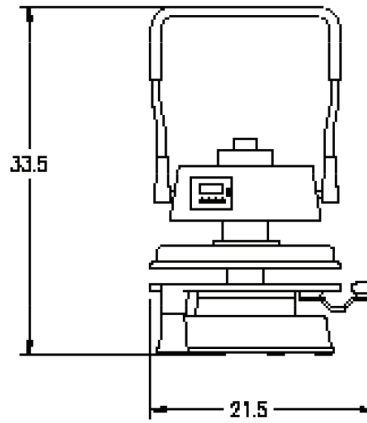


Endurance X1

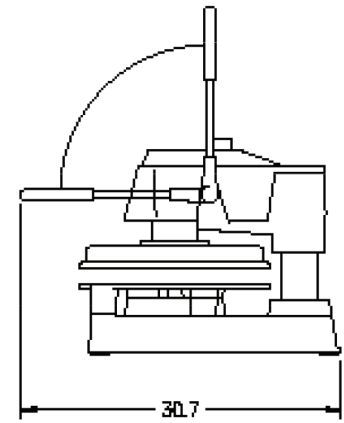
DP1100



TOP VIEW



FRONT VIEW



RIGHT SIDE VIEW

Equipment Details

Temperature Control	Yes	Pies Per Hour	200+
Maximum Heat	450F/232C	Shipping Weight	175lbs/79kg
Programmable Timer	Yes	Machine Weight	140lbs/63kg
Thickness Control	Yes	Voltage	120/220/240
ON/OFF Switch	Yes	Wattage	1500
Power Cord Length	72"	Amps	12.5/6.3/6.8



PROLUXE™

CORPORATE HEADQUARTERS
20281 HARVILL AVE. PERRIS, CA 92570

HELPING COMMERCIAL KITCHENS
PRODUCE GREAT FOOD FASTER

ADVICE AND SUPPORT
1-800-624-6717

Consistency and Control Baked In

This workhorse dough press is perfect for high-volume dough forming operations. Its manual operation provides a stable platform of reliability and cost-reducing benefits over hand forming dough.

Endurance X1

Manual Dough Press
DP1100



Toss Out Skilled Labor

Same great taste without the need of dough forming experts.



150-250 PIZZAS PER HOUR



HEATED UPPER PLATEN LIFETIME LIMITED WARRANTY



PAR BAKE FOR LONGER HOLD TIMES



PRESSED IN SECONDS