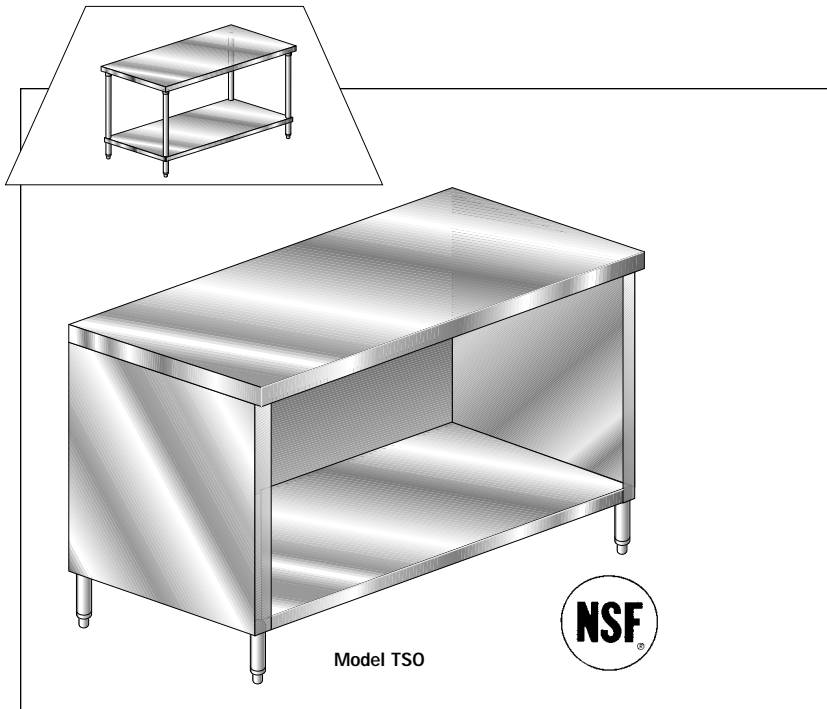




WORK TABLE

TGO/TSO SERIES Flat Top, Enclosed Base



Item# _____ Project _____

Galvanized

Quantity	ECONOMY 16GA 430 Model #	DELUX 16GA 304 Model #	PREMIUM 14GA 304 Model #
24" WIDE			
—	4TGO-2448	3TGO-2448	2TGO-2448
—	4TGO-2460	3TGO-2460	2TGO-2460
—	4TGO-2472	3TGO-2472	2TGO-2472
—	4TGO-2484	3TGO-2484	2TGO-2484
—	4TGO-2496	3TGO-2496	2TGO-2496
—	4TGO-24120	3TGO-24120	2TGO-24120
—	4TGO-24144	3TGO-24144	2TGO-24144

30" WIDE

—	4TGO-3048	3TGO-3048	2TGO-3048
—	4TGO-3060	3TGO-3060	2TGO-3060
—	4TGO-3072	3TGO-3072	2TGO-3072
—	4TGO-3084	3TGO-3084	2TGO-3084
—	4TGO-3096	3TGO-3096	2TGO-3096
—	4TGO-30120	3TGO-30120	2TGO-30120
—	4TGO-30144	3TGO-30144	2TGO-30144

Stainless Steel

Quantity	ECONOMY 16GA 430 Model #	DELUX 16GA 304 Model #	PREMIUM 14GA 304 Model #
24" WIDE			
—	4TSO-2448	3TSO-2448	2TSO-2448
—	4TSO-2460	3TSO-2460	2TSO-2460
—	4TSO-2472	3TSO-2472	2TSO-2472
—	4TSO-2484	3TSO-2484	2TSO-2484
—	4TSO-2496	3TSO-2496	2TSO-2496
—	4TSO-24120	3TSO-24120	2TSO-24120
—	4TSO-24144	3TSO-24144	2TSO-24144

30" WIDE

—	4TSO-3048	3TSO-3048	2TSO-3048
—	4TSO-3060	3TSO-3060	2TSO-3060
—	4TSO-3072	3TSO-3072	2TSO-3072
—	4TSO-3084	3TSO-3084	2TSO-3084
—	4TSO-3096	3TSO-3096	2TSO-3096
—	4TSO-30120	3TSO-30120	2TSO-30120
—	4TSO-30144	3TSO-30144	2TSO-30144

MATERIAL

TOP

- 2" turn down on 4 sides.
- Two heavy gauge steel box channels on 24" wide tables for rigidity.
- Three heavy gauge steel box channels on 30" tables for rigidity.
- Sound deadened between table top and channels.

BODY

- 18 gauge galvanized steel or 430 Series stainless steel.

SHELF

- 18 gauge galvanized steel or 430 Series stainless steel.

LEGS

- 1 1/2" O.D. 16 gauge galvanized steel tubing or 16 gauge 304 series stainless steel tubing, complete with 1" adjustable, impact resistant, plastic or white metal feet.

DESIGN FEATURES

- Undershelf is the largest in the industry.
- All tables fully cartoned.

EXCLUSIVE AERO SAFETY EDGE

- All exposed edges hemmed to eliminate cuts from rough edges.

CONSTRUCTION

- Top is polished to a #4 mill finish.
- Heliarc welded construction creates uniform, rock-solid unit.
- Gussets fully welded for extra rigidity.
- All tables shipped fully welded for strength and durability.

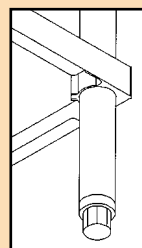
Note:

For intermediate shelf, please refer to pages TS-4A & TS-4B.

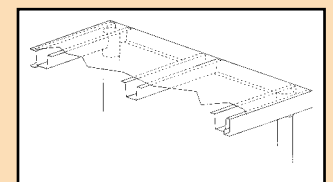
SEE PAGES SP-6A & SP-6B
TO DESIGN YOUR
FLEXIBLE WORKCENTER

CALL FOR
36" WIDTH SPECIFICATIONS

CUSTOM SIZES AVAILABLE



Undershelf
with Exclusive
AEROLock
Extrusion



Strongest Construction
in the Industry

BUILT TO LAST A LIFETIME

email - sales@aeromfg.com

AERO MANUFACTURING COMPANY • 310 ALLWOOD ROAD, CLIFTON, NEW JERSEY 07012 • VOICE 973.473.5300 FAX 973.473.3794

© Copyright 2001 Aero Manufacturing Company, Inc.

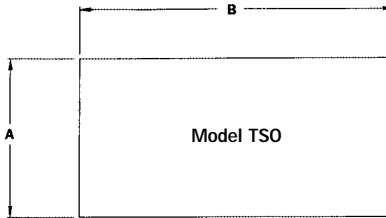
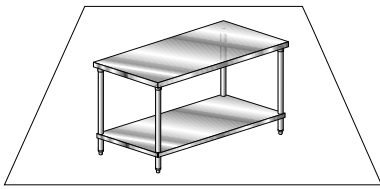
Specifications subject to change without notice.

Page T-13A

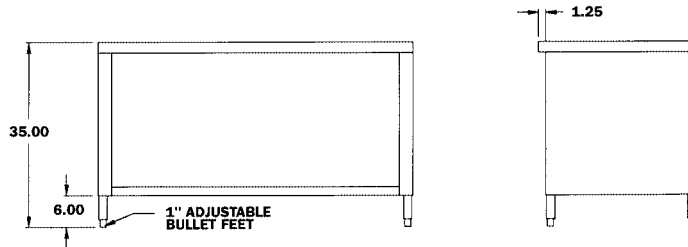
DIMENSIONAL SPECIFICATIONS

AERO

TGO/TSO SERIES Flat Top, Enclosed Base



- Tables over 72" in length are shipped as more than one cabinet.
- All feet have a full 1" adjustability.



Galvanized

A Width	B Length	ECONOMY 16GA 430 Model #	DELUX 16GA 304 Model #	PREMIUM 14GA 304 Model #	Ship Weight	Cubic Feet
24" WIDE						
24	48	4TGO-2448	3TGO-2448	2TGO-2448	200	17
24	60	4TGO-2460	3TGO-2460	2TGO-2460	250	22
24	72	4TGO-2472	3TGO-2472	2TGO-2472	300	26
24	84	4TGO-2484	3TGO-2484	2TGO-2484	350	30
24	96	4TGO-2496	3TGO-2496	2TGO-2496	400	35
24	120	4TGO-24120	3TGO-24120	2TGO-24120	450	43
24	144	4TGO-24144	3TGO-24144	2TGO-24144	500	50

30" WIDE

30	48	4TGO-3048	3TGO-3048	2TGO-3048	225	22
30	60	4TGO-3060	3TGO-3060	2TGO-3060	275	27
30	72	4TGO-3072	3TGO-3072	2TGO-3072	325	33
30	84	4TGO-3084	3TGO-3084	2TGO-3084	375	38
30	96	4TGO-3096	3TGO-3096	2TGO-3096	425	43
30	120	4TGO-30120	3TGO-30120	2TGO-30120	525	54
30	144	4TGO-30144	3TGO-30144	2TGO-30144	475	60

Stainless Steel

A Width	B Length	ECONOMY 16GA 430 Model #	DELUX 16GA 304 Model #	PREMIUM 14GA 304 Model #	Ship Weight	Cubic Feet
24" WIDE						
24	48	4TSO-2448	3TSO-2448	2TSO-2448	200	17
24	60	4TSO-2460	3TSO-2460	2TSO-2460	250	22
24	72	4TSO-2472	3TSO-2472	2TSO-2472	300	26
24	84	4TSO-2484	3TSO-2484	2TSO-2484	350	30
24	96	4TSO-2496	3TSO-2496	2TSO-2496	400	35
24	120	4TSO-24120	3TSO-24120	2TSO-24120	450	43
24	144	4TSO-24144	3TSO-24144	2TSO-24144	500	50

30" WIDE

30	48	4TSO-3048	3TSO-3048	2TSO-3048	225	22
30	60	4TSO-3060	3TSO-3060	2TSO-3060	275	27
30	72	4TSO-3072	3TSO-3072	2TSO-3072	325	33
30	84	4TSO-3084	3TSO-3084	2TSO-3084	375	38
30	96	4TSO-3096	3TSO-3096	2TSO-3096	425	43
30	120	4TSO-30120	3TSO-30120	2TSO-30120	475	54
30	144	4TSO-30144	3TSO-30144	2TSO-30144	525	60

ASK AERO:
We can
Customize
any product
for any
Application!

Call for
Details!

All dimensions are typical (tol. ±½"). • For Accessories and Options see pages TS-5A & TS-5B.
email - sales@aeromfg.com

AERO MANUFACTURING COMPANY • 310 ALLWOOD ROAD, CLIFTON, NEW JERSEY 07012 • VOICE 973.473.5300 FAX 973.473.3794