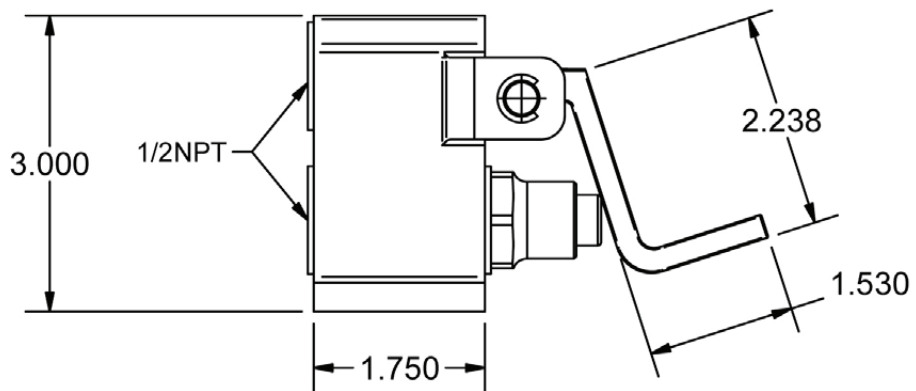
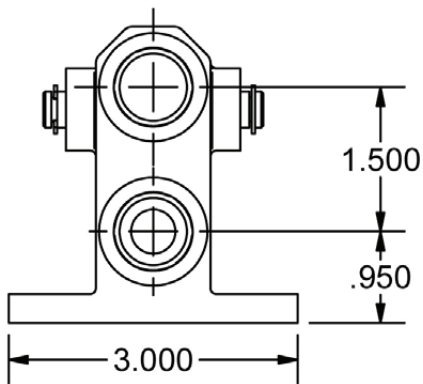
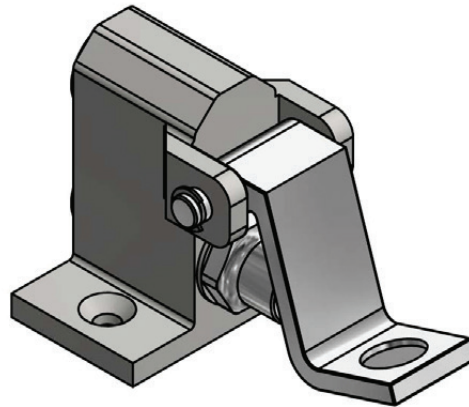




Use your smart phone to scan the above QR code to visit our website: www.bk-resources.com

Single Pedal Foot Valve

Model: BKSPFV-G, Lead Free



Product Specifications:

- Cast Body
- Chrome Plated Pedals

Certifications:



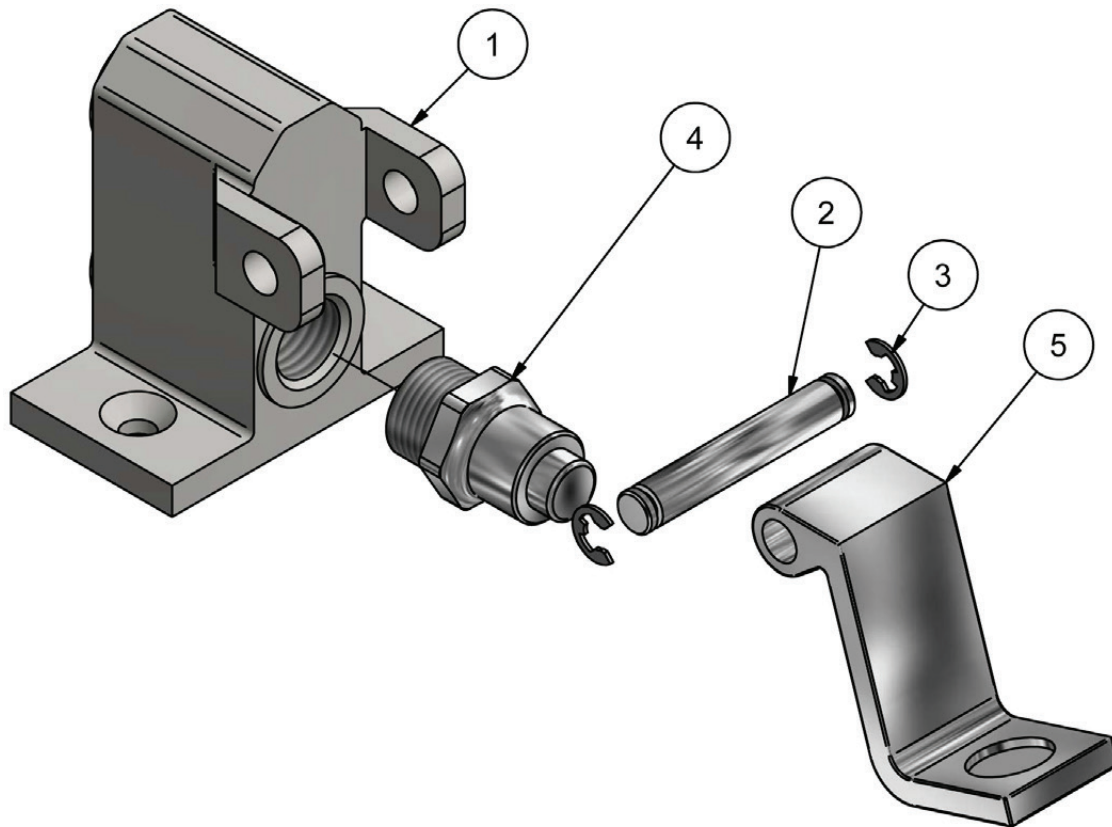
PRODUCT SPECIFICATION SHEET

RESOURCES



Single Pedal Foot Valve

Model: BKSPFV-G, Lead Free



Exploded Parts Detail:

Diagram #	Quantity	Part Number	Description
1	1	BKSPFV-G	Valve Body
2	1	BKSPFV-PIN	Pin
3	2	BKSPFV-ECLIP	E-Clip
4	1	BKKV-010XST-G	Cartridge
5	1	BKFV-HP	Lever