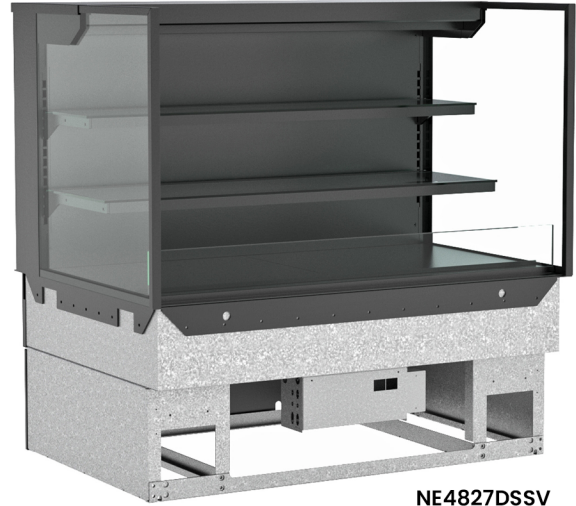


- **NE3627DSSV** 35-3/4"L x 33"D x 27-7/8"H
- **NE4827DSSV** 47-3/4"L x 33"D x 27-7/8"H

### Included

- NOTE: Glass warranty only applicable to first point of delivery
- (2) Levels of clear glass shelving removable and adjustable on 1" centers
- LED top & shelf lights
- NOTE: Overall case height is 47-1/8" (includes below counter)
- One piece formed ABS plastic tub
- One year parts & labor warranty

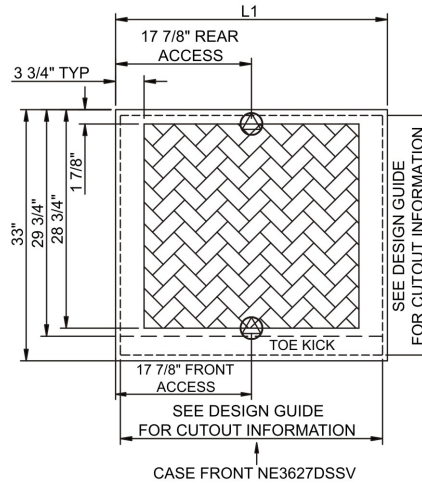
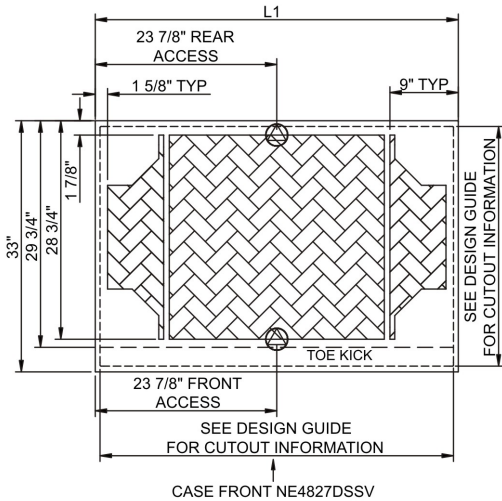


NE4827DSSV

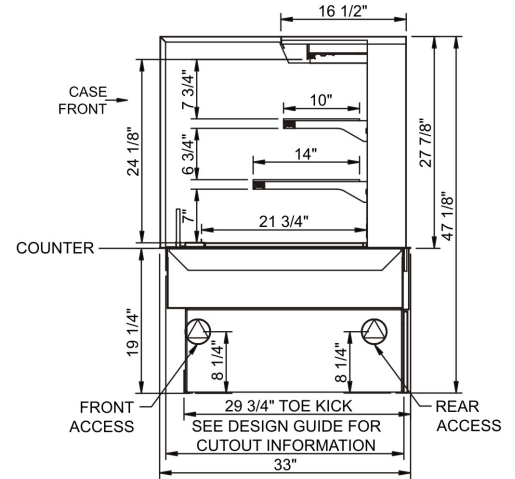
Specify	Standard Features	Additional Options
<b>FRAME EXTERIOR COLOR</b>	• Powder coated Silversan Black	• Powder coated (stock/non-stock colors) • Stainless steel
<b>INTERIOR COLOR</b>	• Powder coated Silversan Black	• NOTE: Interior color must be FDA & NSF approved • Powder coated (stock colors, specify RAL#) • Powder coated stock color (specify RAL # or description) • Stainless steel
<b>BASE</b>	• Slide in counter assembly	
<b>LEFT END GLASS</b>	• Glass end	• No end glass
<b>RIGHT END GLASS</b>	• Glass end	• No end glass
<b>REAR DOORS</b>	• None (solid back panel)	• Clear glass rear sliding doors • Reflective glass rear sliding doors
<b>LIGHTS</b>	• LED 3500K w/ frosted lens	• LED 3000K w/ frosted lens • LED 4000K w/ frosted lens
<b>ELECTRICAL CONNECTION</b>	• 6' Straight blade power cord	• 6' Locking blade power cord • Electrical leads (non-refrigerated)
<b>REAR NON-VENTED PANEL</b>	• None	• Note: Same as Rear Vented Panel without vents • Painted (non-stock colors, specify RAL#) • Painted (stock colors, specify RAL#) • Powder coated (stock/non-stock colors) • Stainless steel
<b>MISCELLANEOUS</b>		• Rear door lock • Second year parts & labor warranty
<b>ACCESSORIES</b>		• Removable clear acrylic security cover, locking

<b>Intended Environment:</b> Type I - Designed to operate in ambient conditions of 75°F with 55% relative humidity unless noted otherwise in system information below.		
<b>Zone</b>	<b>Intended Product To Be Displayed</b>	<b>Warmest Avg Prod Temp ° F</b>
1	Packaged refrigerated products	Ambient

### PLAN VIEW



### SIDE VIEW



NOTE: ALL DIMENSIONS APPROXIMATE

- ELECTRICAL JUNCTION BOX (SUPPLIED WITH 6" LEADS OR POWER CORD).
- LOCATION OF DRAIN TUBE FOR REMOTE REF. ONLY (SUPPLIED WITH 3/4" OR 1 1/2" PVC TUBE).

- REFRIGERATION LINE CONNECTION.
- REMOTE FLOOR SINK & UTILITIES ACCESS AREA.

- SELF-CONTAINED CASE SERVICE ACCESS AREA.
- DRY CASE SERVICE ACCESS AREA.

Model Technical Specifications																	
Model	L"	L1"	L2"	System Circuit Volts			Phs	Freq	Amps ***	Watts	Wires	NEMA Plug	SST	Conv. Rack RTUH	Para. Rack RTUH	Est Wt	
NE3627DSSV	N/A	35.75	.00	Ambient/Lights (N/A)			Circuit #1	110-120	1	60	0.70	11	2+G	5-15P or L5-15P	N/A	N/A	600
NE4827DSSV	N/A	47.75	.00	Ambient/Lights (N/A)			Circuit #1	110-120	1	60	0.70	17	2+G	5-15P or L5-15P	N/A	N/A	700

\*\*\* Does not include electric defrost on freezer models.

Regulatory Approvals:	
All Models	ETL Listed to UL 65 ETL Sanitation to NSF/ANSI 2



### Important Notes:

- ELECTRICAL NOTE: If GFCI is required, a GFCI breaker MUST be used in lieu of a GFCI receptacle.
- 19.25" minimum space required beneath counter surface.
- Glass warranty only applicable to first point of delivery.

**⚠ WARNING:** This product can expose you to chemicals, including Urethane (Ethyl Carbamate), which are known to the State of California to cause cancer and birth defects or other reproductive harm. For more information go to [www.P65Warnings.ca.gov](http://www.P65Warnings.ca.gov).