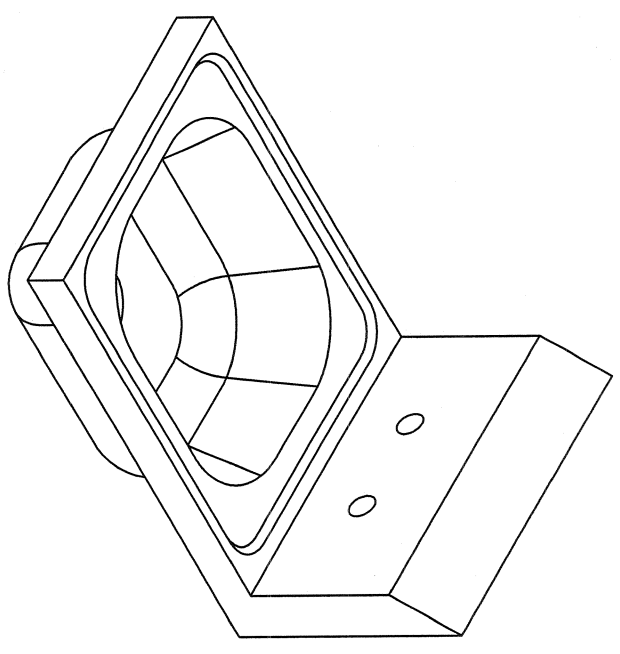


304 TYPE S/S



By signing this document an agreement has been made to begin fabrication of above shown equipment that cannot be reversed. A contract with Aero Mfg. Co. is agreed and equipment is non-cancellable nor returnable.

**APPROVED**  
**APPROVED AS NOTED**  
**RESUBMIT AS NOTED**

SIGNATURE: \_\_\_\_\_ DATE: \_\_\_\_\_

**PROPRIETARY AND CONFIDENTIAL**

The information contained in this drawing is the sole property of Aero Mfg. Co. Any reproduction in part or as a whole is prohibited.

**UNLESS OTHERWISE SPECIFIED:**

Tolerances  
 Fractional: ±1/4  
 Decimal: ±0.25  
 Angular: ±1°

ITEM NO.:  
 QUANTITY:

NAME	DATE
IM	03.26.08
CS	3-26

DRAWN:  
 CHECKED:  
 MODEL NO.:

HSS

SHEET SIZE: A

SCALE: 1-1/2" = 1'-0"



CUSTOMER:

**AERO MANUFACTURING CO.**  
**CLIFTON, NJ 07012**  
 PHONE: 800.237.6634 FAX: 973.473.3794  
 WEBSITE: AEROMFG.COM

DWG. NO.

SHEET: 1 OF 1