

"PB-MSS" UTILITY SHELVES - WALL MOUNTED

w/1½" Riser On Rear & Sides

FEATURES:

- 16GA, Type 300 Stainless Steel With #4 Polish, Satin Finish
- Finished With A Safety Stallion Front Edge
- 1-1/2" Riser Turned Up Backsplash On Rear & Sides
- Includes Hooks & Mop/Broom Holders With Locking Cam
- Shipped Knocked-Down, Easy-To-Assemble

SPECIFICATIONS:

- Stainless Steel Shelves Are TIG Welded
- Exposed Welds Are Polished To Match Adjacent Surface
- Shelf: 16GA, Type 300 Stainless Steel #4 Polish, Satin Finish
- Brackets: 16GA, Type 300 Stainless Steel #4 Polish, Satin Finish



PB-MSS824



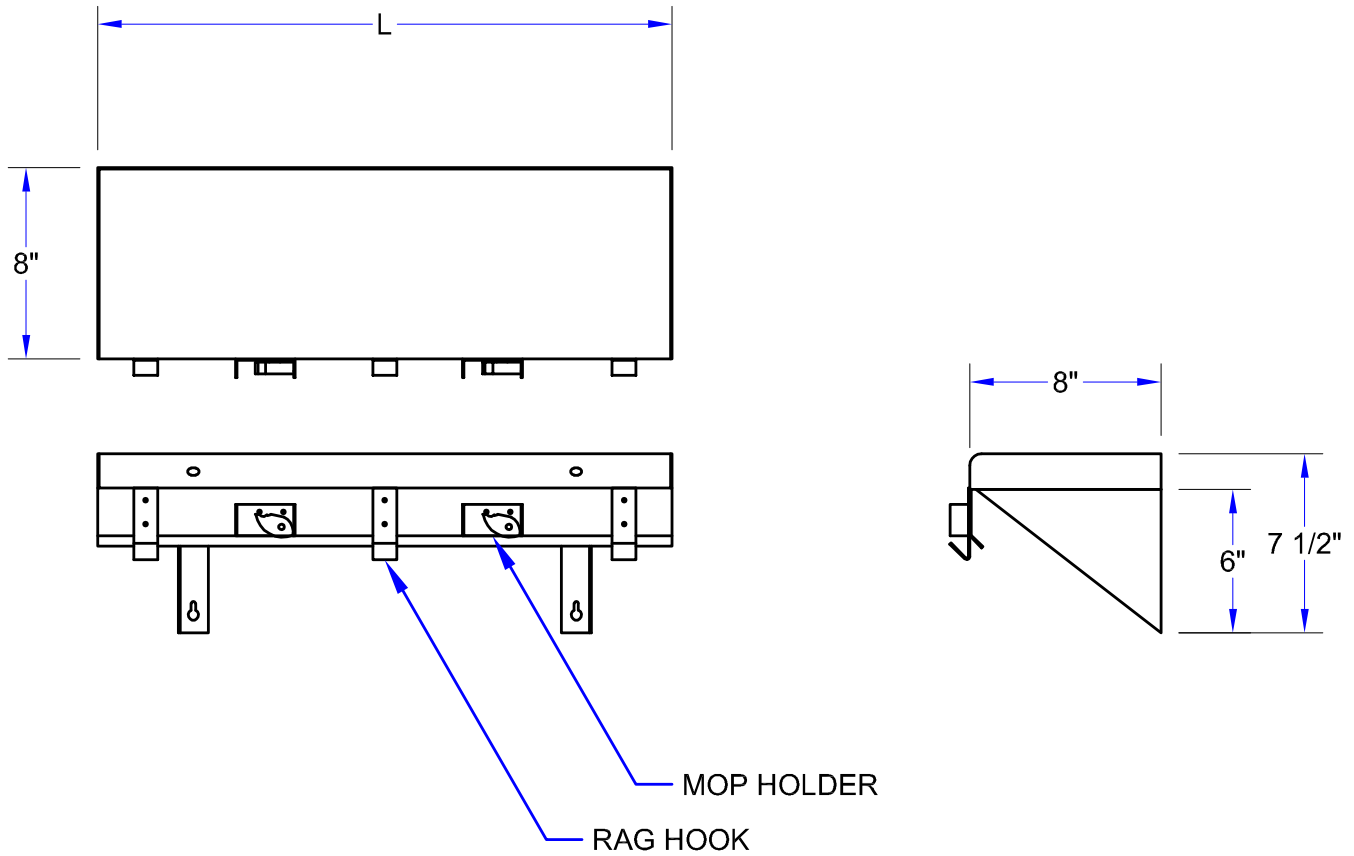
MOP/BROOM HOLDER

"PB-MSS" UTILITY SHELVES

MODEL	# OF MOP HOLDERS INCLUDED	SIZE (LXWXH)	WEIGHT (LBS)
PB-MSS824	2	24"x8"x7-1/2"	10
PB-MSS836	3	36"x8"x7-1/2"	15

ALL DIMENSIONS ARE TYPICAL. TOLERANCE +/- .500". JOHN BOOS & CO. RESERVES THE RIGHT TO CHANGE SPECIFICATIONS WITHOUT NOTICE.

DETAILED SPECIFICATIONS



"PB-MSS" UTILITY SHELVES

MODEL	# OF MOP HOLDERS INCLUDED	SIZE (LXWXH)	WEIGHT (LBS)
PB-MSS824	2	24"x8"x7-1/2"	10
PB-MSS836	3	36"x8"x7-1/2"	15

ALL DIMENSIONS ARE TYPICAL. TOLERANCE +/- .500". JOHN BOOS & CO. RESERVES THE RIGHT TO CHANGE SPECIFICATIONS WITHOUT NOTICE.