

DPS300-01

Swivel Head Digital Pocket Test Thermometer

Most Digital Pocket Tests in today's market either don't have a swivel head, or swivel 90° or less. The unique DPS300 allows you to swivel 90° in either direction for a total of 180°. This Swivel Head design will stop at 30°, 45°, 60° or 90° increments, in both directions, allowing for easier temperature readings at any angle. It has a Stainless Steel stem with a Reduced Tip design which gives you faster response times. A protective pocket sheath is included.

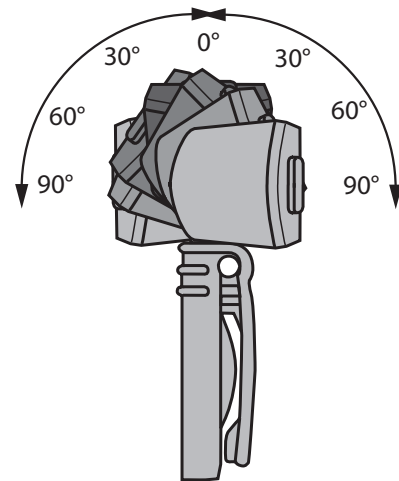


Specifications

- Temperature Range: -40° to 302°F / -40° to 150°C
- Resolution: Fahrenheit: Tenth (0.1) degree
Celsius: Tenth (0.1) degree
- Accuracy: 32° to 212°F / 0° to 100°C, ±2°F (1°C)
Below 32°F / 0°C & Above 212°F / 100°C, ±4°F (2°C)
- With anti-microbial additive
- Ten minute auto shut-off
- Calibration: No recalibration needed
- Housing: ABS plastic
- Display: 1.0" wide x 0.5" high / 25.4mm x 12.7mm LCD with black digits on silver background
- Stem Length: 5" / 12 cm
- Auto-Off: Turns unit off after 10 minutes of non-use
- Battery Life: 4300 hours typical with 1 LR44 Battery (included)
- Warranty: 1 year
- Compliances: CE, WEEE, RoHS



New!
Re-Start in Last
°F or °C
Temp Mode



Measuring Success Since 1885

Cooper-Atkins Corporation • 800-835-5011 • 860-347-2256 • www.cooper-atkins.com