



STAINLESS STEEL

SINGLE DOOR MOP SINK CABINET



Item #:	_____	Qty #:	_____
Model #:	_____		
Project #:	_____		



Cabinet Includes Floor Mop Sink

FEATURES:

- 16" x 20" x 12" Sink Bowl with Drain
- Slotted Side Panels for Ventilation
- Single Left-Hinged Door
- Fixed Stainless Steel Utility Shelf
- 2 Mop Holders (1 on each side)
- Door prepunched and capped for optional SU-27 Door Lock

CONSTRUCTION:

All TIG welded.
Welded areas blended to match adjacent surfaces and to a satin finish.

MATERIAL:

- 16 gauge type "304" Series Sink Bowl
- 18 gauge type "304" Series Sink Bowl Apron
- 9-OPC-84** - 18 gauge type "430" Series Stainless Steel Cabinet
- 9-OPC-84-300** - 18 gauge type "300" Series Stainless Steel Cabinet

OPTIONS:

- SU-27** Door Lock
- K-94-SHELF** Fixed Mid-shelf for 84" High Cabinets
- K-94-BACK** Add 430 Stainless Steel Back Panel
- K-94-BACK-300** Add 300 Stainless Steel Back Panel
- K-472** Add 8" O.C. Faucet Holes for Service Faucet (Must provide faucet hole height location)
- K-240** Service Faucet
- CAB-R** Modify Unit to a Right-Hand Door Swing
Standard Left-Hand Door Swing (If required, specify optional right-hand door swing when ordered)



Model #	Cabinet Material
9-OPC-84	18 Ga., 430 S/S
9-OPC-84-300	18 Ga., 300 S/S



Customer Service Available To Assist You **1-800-645-3166** 8:30 am - 7:00 pm E.S.T.

For Orders & Customer Service:

Email: customer@advancetabco.com or Fax: 631-242-6900

For Smart Fabrication™ Quotes:

Email: smartfab@advancetabco.com or Fax: 631-586-2933

DIMENSIONS and SPECIFICATIONS

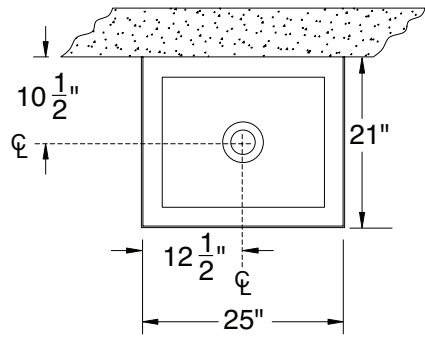
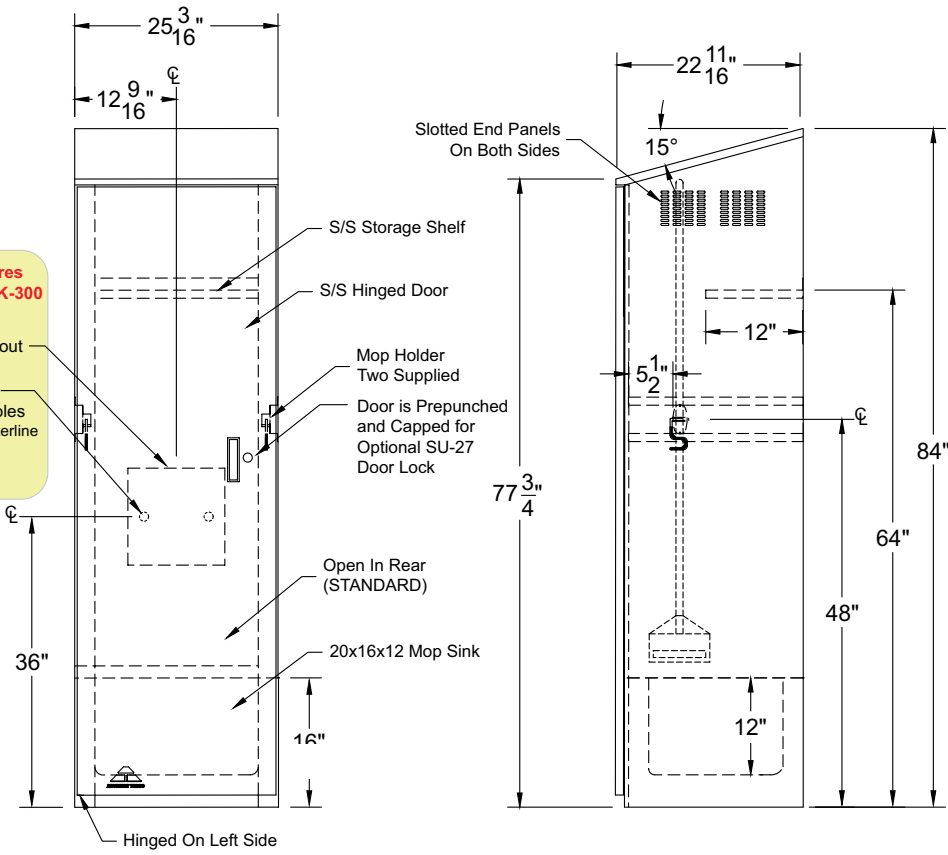
ALL DIMENSIONS ARE TYPICAL

TOL ± .500"

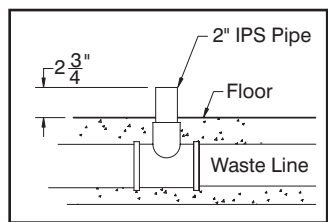
Options Below Requires K-94-Back or K-94-BACK-300

Optional TA-48
12" x 12" Plumbing Cutout

Optional K-472
8" O.C 1-1/8" Faucet Holes (36" Standard A.F.F. To Centerline of Faucet Hole, Unless Otherwise specified)



Mop Sink Detail



Drain Detail

345 lbs.



325 Wireless Boulevard, Hauppauge, NY 11788

ADVANCE TABCO is constantly engaged in a program of improving our products. Therefore, we reserve the right to change specifications without prior notice.

© ADVANCE TABCO, DECEMBER 2024

REF-E