



Evo America, LLC
20360 SW Avery Ct.
Tualatin, OR 97062
503-626-1802
evoamerica.com

Project: _____
Location: _____
Item #: _____ Qty: _____
Model #: _____

AIA #

SIS#

11-0120-ATM

Model# **11-0120-ATM**

Top Mount Chassis for Evo® 30Gp & 30G Cooktops



Evo Cooktop sold separately.

39" Wide Standalone Converter

ACCESSORY

Designed to Convert Evo Affinity Drop-in Unit To Standalone For Use on Utility Tables

- Allows drop-in installation of Evo Affinity 30Gp and Affinity 30G for placement on utility work table or utility refrigeration base.
- 16-gauge and 18-gauge stainless steel construction with #4 brushed finish on outside surfaces.
- Stainless steel cabinet construction for easy cleaning and weather resistance.
- Corners are fully welded, ground smooth and blended.

Easy Installation

- Ships complete, no assembly required.



Shown with 30G Installed

SHORT FORM SPECIFICATIONS:

The Evo 11-0120-ATM Top Mount Chassis is designed to convert the Evo Affinity 30Gp and Affinity 30G Circular Cooktop drop-in models to standalone for use on a work table or utility refrigeration base. The Top Mount Chassis is constructed of 304 16 and 18 gauge stainless steel. All exposed surfaces have a number 4 finish. *Evo Cooktop sold separately.*

Data

Part #	For Evo Models	Chassis Dimensions			Chassis Weight
		H	W	D	
11-0120-ATM	Affinity 30G Affinity 30Gp	10 1/8" 258mm	39" 991mm	32 11/16" 830mm	40 lbs 18.1 kg

Due to ongoing product improvement, specifications are subject to change without notice.



Approvals:

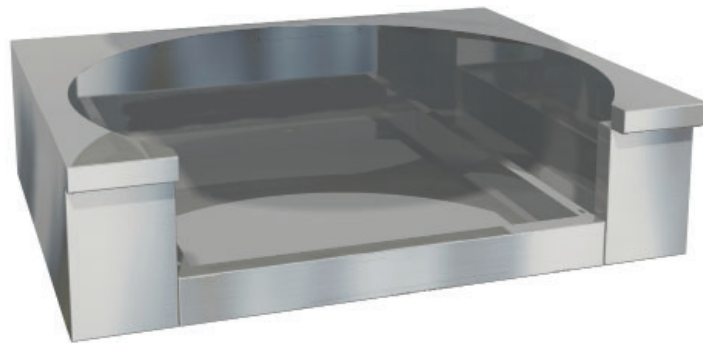
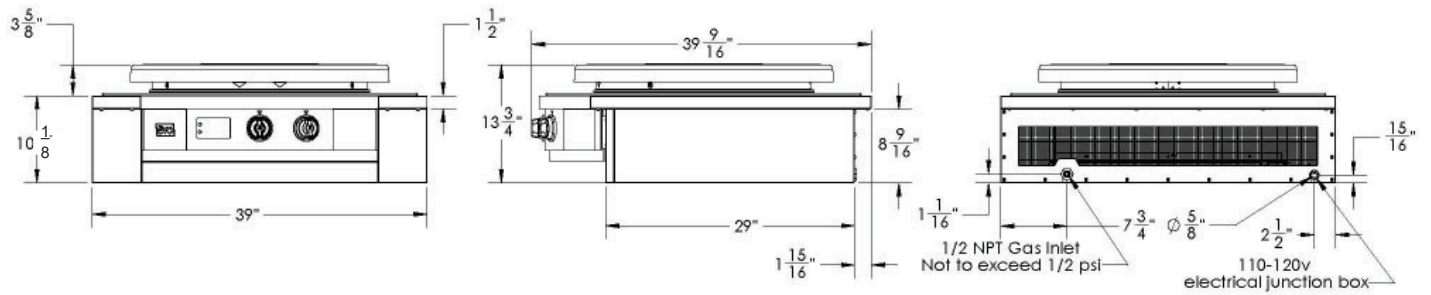
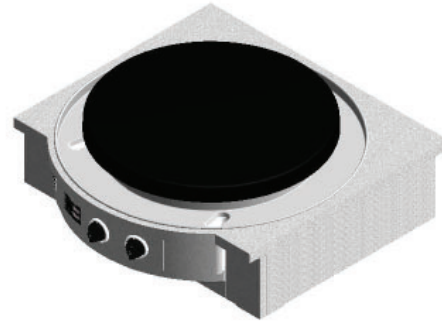
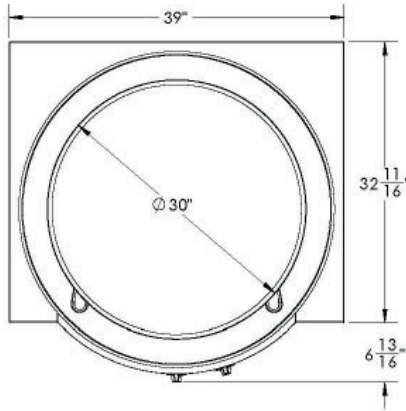
Available At:



Model# 11-0120-ATM

Top Mount Chassis for Evo® 30Gp & 30G Cooktops

Evo Cooktop sold separately.



Evo America, LLC, 20360 SW Avery Ct., Tualatin, OR 97062
Ph 503-626-1802 • evoamerica.com • sales@evoamerica.com

Evo is protected under U.S. Patents 9,897,328, 9,869,474, 10,139,113, 9,903,595, 10,842,540, 7,825,353 and U.S. Patents Pending.