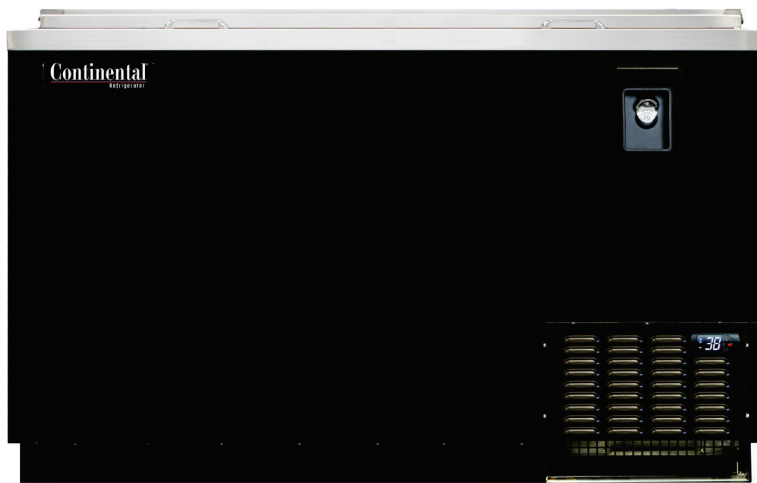


# BOTTLE COOLER (38°F - 41°F)

**Model: BC64N**

64" Bottle Cooler

Textured baked black enamel finish exterior with all stainless steel countertop and slide lids, heavy duty galvanized interior.



## Options and Accessories

(upcharge and lead times may apply)

|                              |                 |
|------------------------------|-----------------|
| Stainless steel interior     | Casters         |
| Additional wire bin dividers | Adjustable legs |
| Lid locks                    |                 |

Consult factory for other model configurations, options and accessories.

**Continental**  
Refrigerator



Project Name:

Model Specified:

Location:

Item No:

Quantity:

AIA #:

SIS #:

## Standard Model Features

### REFRIGERATION SYSTEM

Environmentally safe R-290 refrigerant

Performance rated refrigeration system

Automatic, hot gas condensate evaporator

Full length, extra large coil

Expansion valve system

Easily accessible and serviceable slide out condensing unit

### CABINET ARCHITECTURE

High density, non-CFC polyurethane foamed-in-place insulation

Heavy duty, epoxy coated, adjustable steel wire storage bin dividers

Front, rear and side venting louvers

### MODEL FEATURES

Heavy duty cap opener with extra capacity, removable cap catcher

Easily accessible, front mounted cleanout drainage hose

Electronic controller with digital display

APPROVAL:

# Model Specifications

## DIMENSIONAL DATA

|  |                 |
|--|-----------------|
| Net Capacity (cubic feet)                                    | 20.3 (575 cu l) |
| 12 oz. Bottle Capacity (# cases)                             | 22.5            |
| 12 oz. Can Capacity (# cases)                                | 37              |
| Width, Overall (inches)                                      | 64 (1626 mm)    |
| Depth, Overall (inches)<br>(including bumpers & cap catcher) | 29 1/8 (740 mm) |
| Height, Overall (inches)                                     | 33 1/2 (851 mm) |
| Number of Slide Lids   | 2               |
| Number of Bin Dividers                                       | 4               |

## REFRIGERANT DATA

|                             |      |
|-----------------------------|------|
| Condensing Unit Size (H.P.) | 1/4+ |
| Capacity (BTU per hour)*    | 2050 |

## ELECTRICAL DATA

|  |                     |
|--|---------------------|
| Voltage (International)                        | 115/60/1 (220/50/1) |
| Feed Wires (including ground)                  | 3                   |
| Total Amps (International)                     | 4.4 (2.2)           |
| 10 ft. Cord/Plug [attached]<br>(International) | Yes<br>(No)         |

## SHIPPING DATA

|                          |                  |
|--------------------------|------------------|
| Weight - (pounds)        | 371 (168 kg)     |
| Height - Crated (inches) | 39 (991 mm)      |
| Width - Crated (inches)  | 71 3/4 (1822 mm) |
| Depth - Crated (inches)  | 30 1/4 (768 mm)  |

\* Rating @ +20°F evaporator, 90°F ambient  
Figures in parentheses reflect metric equivalents rounded to the nearest whole unit.



Equipped with one NEMA-5-15P Plug  
(varies by country)

**Continental**  
Refrigerator

Toll-Free: 800-523-7138  
Phone: 215-244-1400  
Fax: 215-244-9579

539 Dunksferry Road  
Bensalem, PA 19020  
[www.continentalrefrigerator.com](http://www.continentalrefrigerator.com)

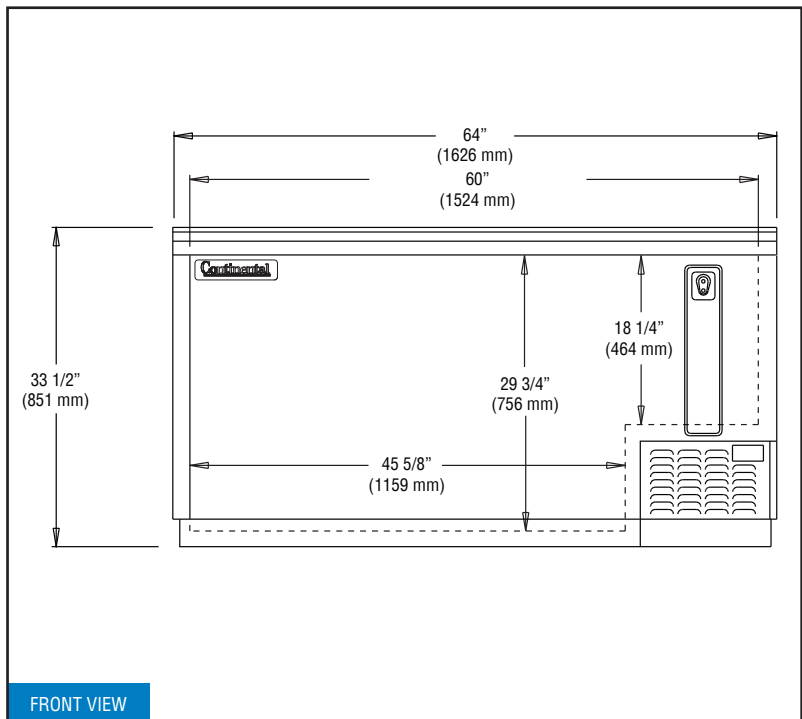
Due to our continued efforts in developing innovative products, specifications subject to change without notice.



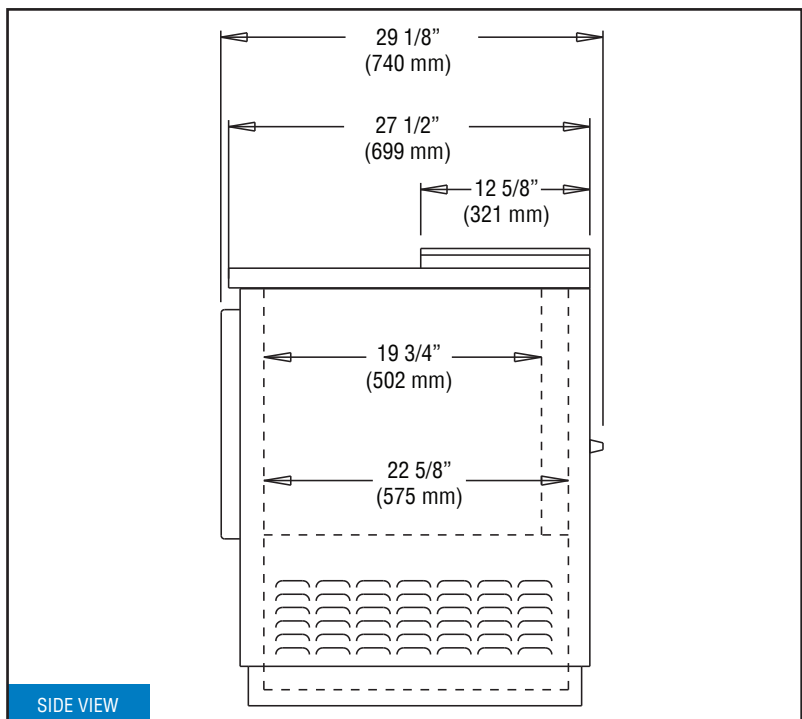
PROUDLY  
DESIGNED & ASSEMBLED  
IN THE U.S.A.

© Copyright 2021. Continental Refrigerator.  
A Division of National Refrigeration & Air Conditioning Products, Inc.

# Model Plan Views



FRONT VIEW



SIDE VIEW

**IMPORTANT NOTE:** A minimum clearance of 3" is required on each side, front and rear of cabinet for optimum performance.

REVISED: 3/14/24