

"EBOS4R5" ENCLOSED BASE WORK TABLES

14GA Stainless Steel Top w/5" Riser - Open Front

FEATURES:

- 14GA Stainless Steel Top With 5" Rear Riser
- Open Base Style
- Type 300 Stainless Steel With #4 Polish, Satin Finish
- Top Is Sound Deadened
- Reinforced With 1"x2" Channel Running Entire Length Of Table
- 1-1/2" Stallion Edge On Front And Rear With Side Edges 90 Degree Bend Down For Table Line-Up
- Stainless Steel Base And Undershef
- Undershef Is Secured In A Fixed Position, 10" Above Floor
- Shipped Standard Welded Set-Up

SPECIFICATIONS:

- Top: Stainless Steel Tops Are TIG Welded, Exposed Welds Are Polished To Match Adjacent Surface
- Top: 14GA Stainless Steel Type 300 Stainless Steel With #4 Polish, Satin Finish
- Shelf: 18GA Type 300 Stainless Steel, #4 Polish With Satin Finish
- Legs: 1-1/2" Square O.D., 16GA Tubular Stainless Steel
- Panels: 20GA Type 300 Stainless Steel, #4 Polish With Satin Finish
- Feet: 1" Adjustable Stainless Steel Bullet Feet



EBOS4R5-3072

CERTIFICATIONS:

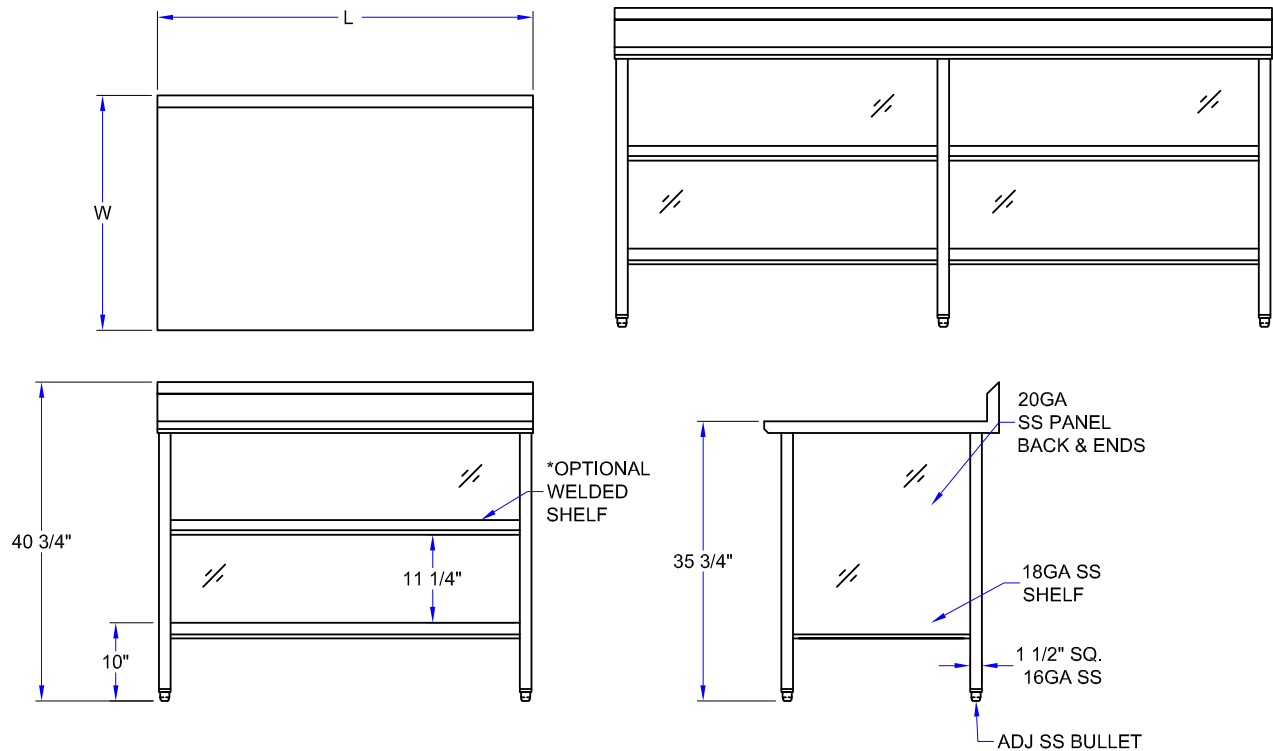


"EBOS4R5" ENCLOSED BASE WORK TABLES

LENGTH	# OF LEGS	24" WIDTH	WEIGHT (LBS)	30" WIDTH	WEIGHT (LBS)
36"	4	EBOS4R5-2436	155	EBOS4R5-3036	161
48"	4	EBOS4R5-2448	173	EBOS4R5-3048	190
60"	4	EBOS4R5-2460	200	EBOS4R5-3060	219
72"	4	EBOS4R5-2472	227	EBOS4R5-3072	250
84"	6	EBOS4R5-2484	259	EBOS4R5-3084	284
96"	6	EBOS4R5-2496	291	EBOS4R5-3096	318
108"	6	EBOS4R5-24108	320	EBOS4R5-30108	349
120"	6	EBOS4R5-24120	348	EBOS4R5-30120	379
132"	6	EBOS4R5-24132	376	EBOS4R5-30132	409
144"	6	EBOS4R5-24144	404	EBOS4R5-30144	439

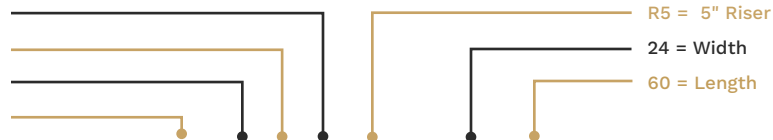
ALL DIMENSIONS ARE TYPICAL. TOLERANCE +/- .500". JOHN BOOS & CO. RESERVES THE RIGHT TO CHANGE SPECIFICATIONS WITHOUT NOTICE.

DETAILED SPECIFICATIONS



MODEL # STRUCTURE

- 4 = 14GA
- S = Stainless Steel
- O = Open Front
- EB = Enclosed Base



EBOS4R5-2460

"EBOS4R5" ENCLOSED BASE WORK TABLES

LENGTH	# OF LEGS	24" WIDTH	WEIGHT (LBS)	30" WIDTH	WEIGHT (LBS)
36"	4	EBOS4R5-2436	155	EBOS4R5-3036	161
48"	4	EBOS4R5-2448	173	EBOS4R5-3048	190
60"	4	EBOS4R5-2460	200	EBOS4R5-3060	219
72"	4	EBOS4R5-2472	227	EBOS4R5-3072	250
84"	6	EBOS4R5-2484	259	EBOS4R5-3084	284
96"	6	EBOS4R5-2496	291	EBOS4R5-3096	318
108"	6	EBOS4R5-24108	320	EBOS4R5-30108	349
120"	6	EBOS4R5-24120	348	EBOS4R5-30120	379
132"	6	EBOS4R5-24132	376	EBOS4R5-30132	409
144"	6	EBOS4R5-24144	404	EBOS4R5-30144	439

ALL DIMENSIONS ARE TYPICAL. TOLERANCE +/- .500". JOHN BOOS & CO. RESERVES THE RIGHT TO CHANGE SPECIFICATIONS WITHOUT NOTICE.