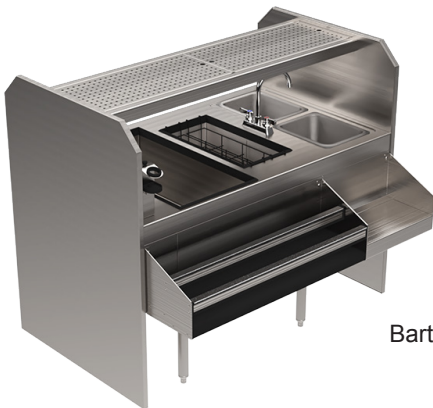
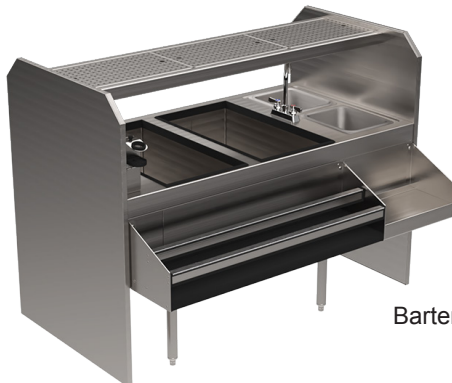


PSA-42R
Bartender side shown



PSA-54R
Bartender side shown



PSA-60R
Bartender side shown



Intertek
 4004503
 Conforms to NSF/ANSI STD 2
 Certified to CSA STD B45.4

Project: _____	AIA# _____
Item #: _____ Qty: _____	SIS# _____
Model #: _____	

Assembly Pass-thru Stations

PSA	PSA-42L, PSA-42R, PSA-54L, PSA-54R, PSA-60L, PSA-60R
------------	---

Standard Features

- Two wet waste sinks (9-1/4" by 10-1/2" by 6" deep) with strainers
- Gooseneck faucet
- Stainless steel, draining tray shelf with removable perforated inserts
- PSA-42 and PSA-54 models have one pass-thru ice bin (84 pound capacity)
- PSA-54 includes eight bottle insulated storage well
- PSA-60 models have two pass-thru ice bins (84 pound capacity each)

Configurable Options

- Stainless or laminated front/end panels
- Leftward or rightward workflow for the bartender (designated with L or R in model number)
- Full single or double speedrail, or combined blender shelf with double speedrail
- Soda manifold housing with soda gun holders or tubing chase
- Ten-circuit sealed cold plate

Accessories

SOS/SS-42	Stainless steel single overshelf
DOS/SS-42	Stainless steel double overshelf
SOS/SS-54	Stainless steel single overshelf
DOS/SS-54	Stainless steel double overshelf
SOS/SS-60	Stainless steel single overshelf
DOS/SS-60	Stainless steel double overshelf
IBD-H-CS32	Ice bin divider, half
02006635	Three piece, sliding, ice bin cover
CCD/T	Clip-on condiment dispenser
03000509	Sneeze guard
CDRY	Clip-on dry waste

WARNING: The plastic wet waste strainer included with this product can expose you to chemicals including Bisphenol A (BPA), which is known to the State of California to cause birth defects or other reproductive harm. For more information, go to www.P65Warnings.ca.gov. **Warning applies to State of California only.** Part #03000483

To view underbar installation instructions, please visit: https://www.glastender.com/PDF/F-750-165_Underbar_Installation_Instructions.pdf
 To view cleaning and care instructions, please visit: https://www.glastender.com/PDF/F-423-011_ss_clean_care.pdf

Glastender, Inc. • 5400 N Michigan Rd • Saginaw, MI • 48604-9780 989.752.4275 • 800.748.0423 • Fax 989.752.4444 www.glastender.com	Approval/Notes:
Specifications subject to change without notice. For current specifications please visit our website.	

PSA - Assembly Pass-thru Stations

Specifications

Ice Bin

- 15" by 28" by 10-1/2" deep

Ice Bin Drain

- No coldplate: 1-1/2" tailpiece
- Coldplate: 1/2" MPT

Bottle well drain (PSC-78 models)

- 1-1/2" tailpiece

Sink Bowls

- 9-1/4" by 11-1/2" by 6" deep

Sink Drains

- 1-1/2" I.P.S.

Tubing Chase (optional)

- 4" by 8" by 6-1/2" high

Sneeze Guard (optional)

- 17-1/4" by 27-1/2" by 10" high

Tray and Overshelf (optional) Drains

- 1/2" tailpiece

Blender Shelf/Double Speed Rail (optional)

- PSA-42 models: 24" long by 10" double speed rail (12 bottle capacity) with 16" long x 10" blender shelf
- PSA-54 models: 36" long by 10" double speed rail (18 bottle capacity) with 16" long by 10" blender shelf
- PSA-60 models: 42" long by 10" double speed rail (20 bottle capacity) with 16" long by 10" blender shelf

Full Double Speed Rail (optional)

- PSA-42 models: 40" long by 10" double speed rail (20 bottle capacity)
- PSA-54 models: 52" long by 10" (26 bottle capacity)
- PSA-60 models: 58" long by 10" (28 bottle capacity)

Full Single Speed Rail (optional)

- PSA-42 models: 40" long by 5" (10 bottle capacity)
- PSA-54 models: 52" long by 5" (13 bottle capacity)
- PSA-60 models: 58" long by 5" (14 bottle capacity)

Faucet

- On 4" centers, accepts 3/8" sink leads, hot and cold water connections required

Cold Plate (optional)

- Ten circuit
- Connection is 5/16" O.D. stainless steel tubing with swaged end

Clip-on Dry Waste (optional)

- 17" long by 5" by 14" deep

Shelf Heights

- Tray shelf: 44"
- Single overshelf (optional)...69"
- Double overshelf (optional)...63" and 72"

Recommendations

- Provide 12" by 12" open floor drain (safe waste) under ice bin - consult local codes
- Provide 120V, 20 AMP, four-plex electrical outlet below ice bin for appliances such as blenders, carbonators, dispensers, etc.

Materials

- 22 gauge stainless steel parts include: ice bin exterior sides, back, and bottom
- 20 gauge stainless steel parts include: all components unless otherwise noted
- 16 gauge stainless steel parts include: leg mounting brackets and legs, kick rail
- 14 gauge stainless steel parts include: blender shelf ends and double speed rail ends
- PVC speed rail step and rail covers
- Laminated wooden front and end panels (optional)
- 1/4" clear acrylic sneeze guard (optional)



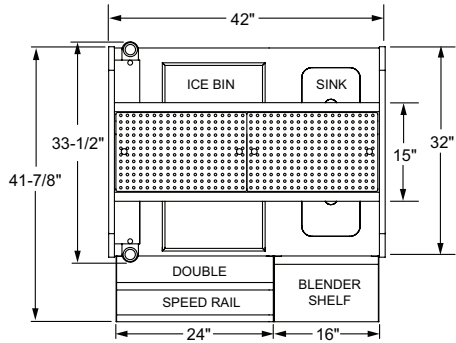
5400 N Michigan Rd • Saginaw, MI • 48604-9780
989.752.4275 • 800.748.0423 • Fax 989.752.4444
www.glastender.com

PSA - Assembly Pass-thru Stations

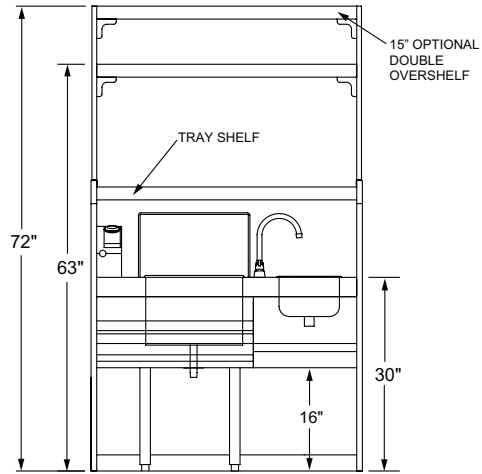
Drawings

PLAN VIEWS

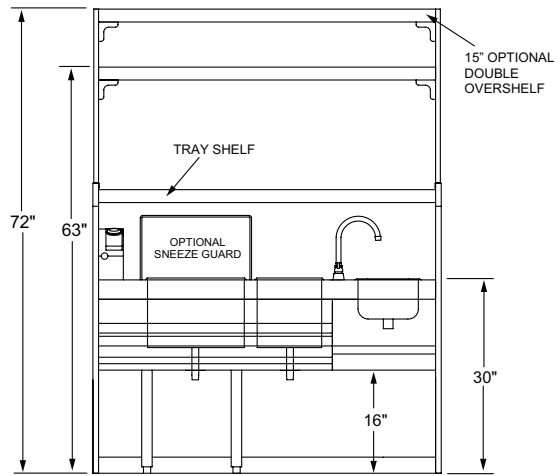
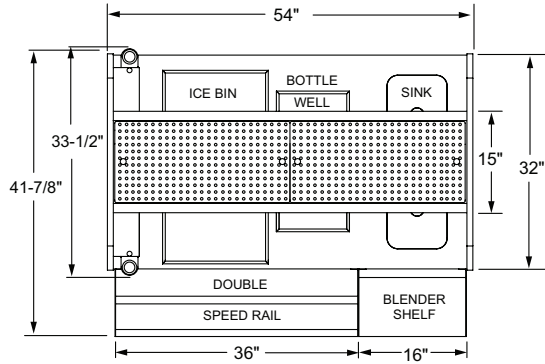
PSA-42R



BARTENDER SIDE ELEVATION



PSA-54R



PSA-60R

