



ATLAS METAL

1135 N.W. 159th DRIVE, MIAMI, FLORIDA 33169

TEL 305.625.2451

TOLL FREE 800.762.7565

FAX 305.623.0475

WWW.ATLASFOODSERV.COM

SALES@ATLASFOODSERV.COM

Project: _____

Item No.: _____

Quantity: _____

SLIDE-IN SERVING EQUIPMENT



HB-3

HEATED BASE

Electrically Heated
Under Counter

HB-3

HB-4

HB-5

SPECIFICATIONS

BODY: Double wall constructed with 20 gauge, type 304 stainless steel interior liner, with coved corners. Exterior wall is 22 gauge galvanized steel, with an 18 gauge stainless steel facia. The body is filled with 1" of high density fiberglass insulation on all sides. Interior of the body is provided with a removable slide assembly to accommodate 12" X 20" pans.

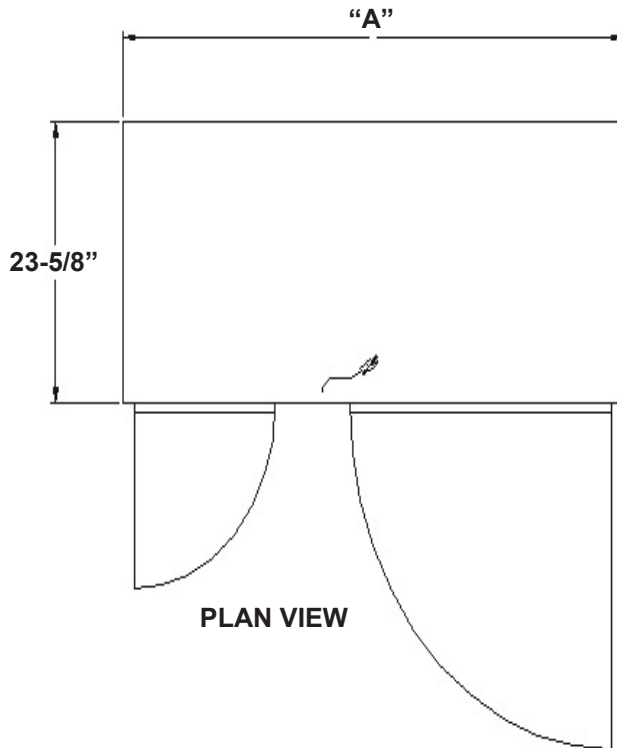
DOORS: Doors are double wall constructed of 18 gauge, type 304 stainless steel, fully insulated with high density fiberglass, and provided with edge mounted, chrome plated hinges and a slam action latch. Doors are complete with a moisture-proof gasket.

ELECTRICAL: The unit is provided with an 850 watt element, pre-wired to an on/off thermostat switch and pilot light. The unit is wired for 15 amp., 120 volt, single phase operation, with a 6' long, 3-wire cord and plug (NEMA 5-15P).

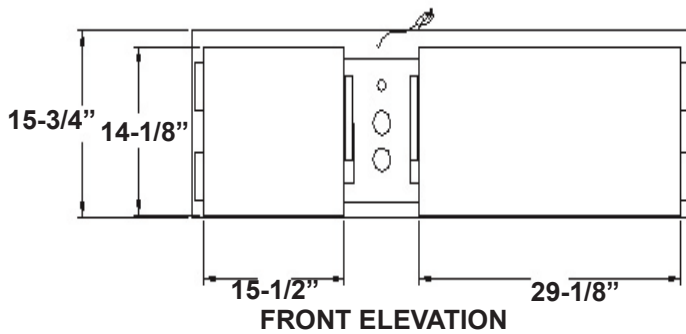
Specifications subject to change without notice.

STANDARD FEATURES

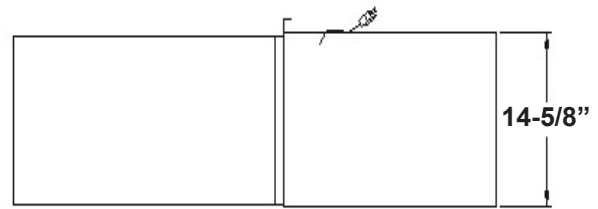
- Slides into your counter - puts heated storage where you need it
- Fully insulated for maximum efficiency
- Slide assembly for standard 12" x 20" pans
- Electrically heated - thermostat control
- 1-Year Parts & Labor Warranty
- UL Listed



PLAN VIEW



FRONT ELEVATION



END VIEW

MODEL	"A"	STORAGE CAPACITY 12" X 20" PANS	CUT-OUT REQUIRED	ELECTRICAL CHARACTERISTICS	SHIP WT. (LBS.)
HB-3	41-7/8" (106cm)	4	15-3/4" X 41-7/8" (40 X 106cm)	850 W - 7.1 amps. 120V	190 (86.1kg)
HB-4	55-5/8" (140.9cm)	6	15-3/4" X 55-5/8" (40 X 140.9cm)	850 W - 7.1 amps. 120V	265 (120.2kg)
HB-5	69-3/8" (175.8cm)	8	15-3/4" X 69-3/8" (40 X 175.8cm)	850 W - 7.1 amps. 120V	312 (141.5kg)