



TOP SHELF PASS THROUGH STATION BLENDER STATION
TSS Series - 12" & 18"W x 24"D



TSS12BS
 (Shown with TSS12U2 bottle well
 and optional faucet)

JOB	
AREA	
ITEM NO.	
MODEL NO.	

MODELS
TSS12BS
TSS12DS
TSS18BS

KEY PRODUCT FEATURES AND BENEFITS

- Sink unit designed with a front mounted blender platform and apron access hole to conveniently plug in the blender in the electrical junction box directly under the platform.
- Drawn, 18 gauge stainless steel sink bowl has a long life span and is dent resistant, even under heavy use.
- Our new, more robust Perlick Quick Clamp leg attachment still features easy tool-less installation, when legs are used.

Additional Features:

- All stainless steel construction.
- Optional Perlick Flex Mount leg relocation kit moves rear legs forward for additional space behind the equipment or moves forward legs rearward to help avoid pesky floor drains, available on TSF/TSS units.
- Stainless steel legs with adjustable thermoplastic feet install without tools for freestanding applications.
- Optional NSF-listed commercial-grade hot/cold water faucet stands up to years of use and can be easily serviced from the front.
- Optional side splashes.

Form No. Z2825
 Rev. 12 06 23



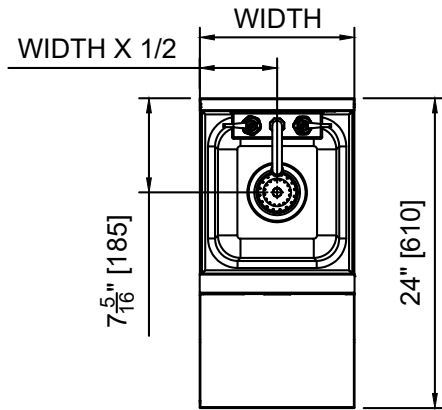
TOP SHELF PASS THROUGH STATION BLENDER STATION
TSS Series - 12" & 18"W x 24"D

MODEL NUMBERS - TSS12BS, TSS12DS, TSS18BS

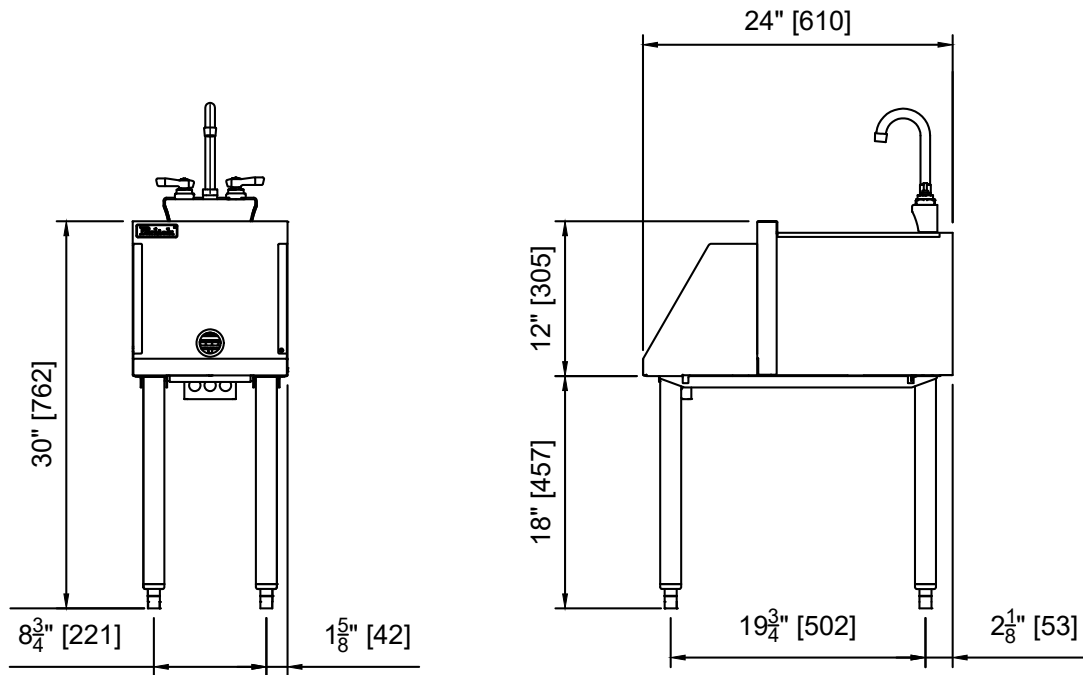
MODEL NOS.		TSS12BS	TSS18BS	TSS12DS
DIMENSIONS: EXTERIOR	Width In. (mm)	12" (305)	18" (457)	12" (305)
	Depth In. (mm)	24" (609)		18-9/16" (471)
	Weight lbs. (kg)	45 (20)	60 (27)	40 (18)
PERLICK BAR EQUIPMENT	Top & Shelf	Stainless steel. Shelf includes access hole for plug-in cord.		
	Front & Back	Stainless steel		
	Backsplash	No backsplash on TSS equipment. Requires bridge unit of TSSxxBU where xx is width.		
	Legs	1-5/8" tubular, stainless steel with 1" adjustable thermoplastic foot.		
	Bowl	Drawn, 18 gauge stainless steel. All horizontal and vertical edges 1-1/2" radius with balled corners. Furnished with 1-1/2" stainless steel drain socket. 10-5/8"W x 9-5/8" front-to-back x 6" deep.	Drawn, 18 gauge stainless steel. All horizontal and vertical edges 1-1/2" radius with balled corners. Furnished with 1-1/2" stainless steel drain socket. 14"W x 10" front-to-back x 9" deep.	Drawn, 18 gauge stainless steel. All horizontal and vertical edges 1-1/2" radius with balled corners. Furnished with 1-1/2" stainless steel drain socket. 10"W x 14" front-to-back x 9" deep.
Water Faucet	Chrome plated, hot and cold, goose-neck faucet. Heavy-duty all brass construction. Faucets must be ordered separately.			
PLUMBING	Drain Connection	1-1/2" NPS Male		
	Water Connection	1/2" IPS shanks and nuts. 18" braided water supply lines.		
ELECTRIC	Outlet	Junction box included and installed. Duplex outlet not included.		
ACCESSORIES (PARTIAL LIST)		Wrist blades, touchless faucet, splash guards, Perlick Flex Mount leg relocation kit (TSF Series)		



TOP SHELF PASS THROUGH STATION BLENDER STATION
TSS Series - 12" & 18"W x 17-9/16"D



TSS12BS

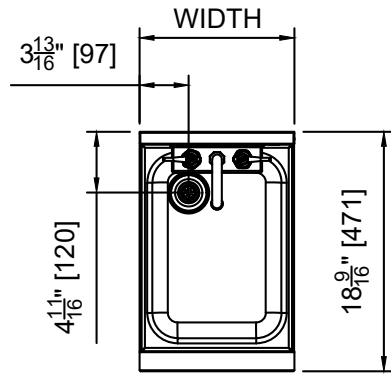


Shown with optional faucet. Must be ordered separately.

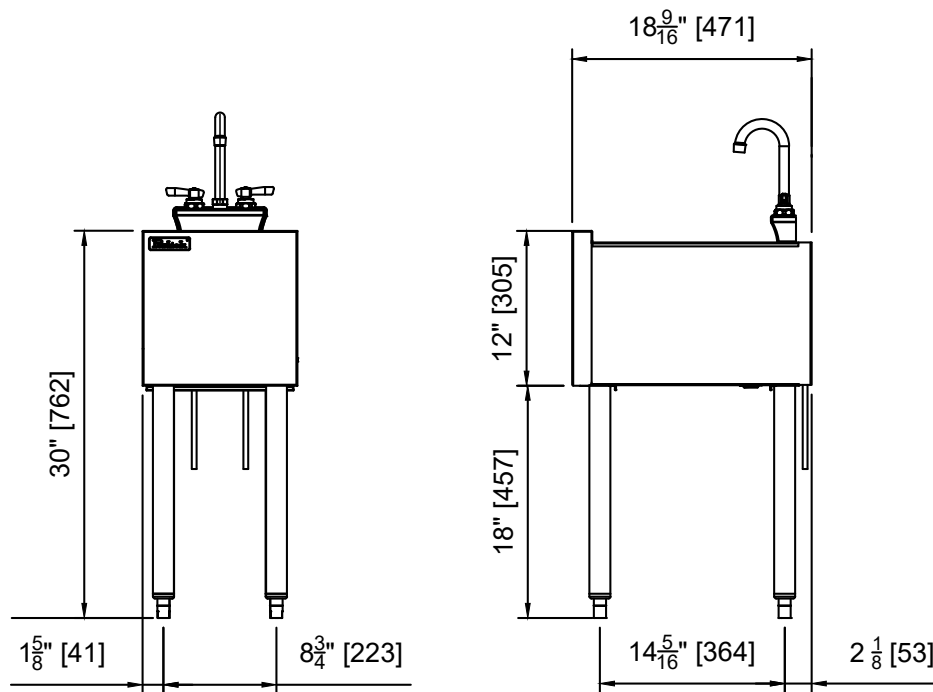
Form No. Z2825
 Rev. 12 06 23



TOP SHELF PASS THROUGH STATION BLENDER STATION
TSS Series - 12" & 18"W x 17-9/16"D



TSS12DS



Shown with optional faucet. Must be ordered separately.

Form No. Z2825
 Rev. 12 06 23