



LEGEND™ Heavy-Duty Gas Range Match Wok Series

Item No. _____

Project _____

Quantity _____



Model 24-18 shown

SHORT/BID SPECIFICATION

Wok Range shall be a Montague **Legend** Model [Specify]:

- 24-18, with 24" Cabinet with 18" Wok
- 30-24, with 30" Cabinet and 24" Wok
- 36-18, with 36" Cabinet and 18" Wok
- 36-20 with 36 Cabinet 20" Wok
- 36-24 with 36" Cabinet and 24" Wok

...a heavy duty, gas-fired wok range unit with 80,000 BTU/hr or 120,000 BTU/hr Jet Burners Heavy Duty stainless steel top plate, water fill faucet, a 4" wide stainless guard rail, and 6" (152mm) S/S adjustable legs standard; plus all the features listed and options/accessories checked:

STANDARD CONSTRUCTION FEATURES:

- Stainless steel front, sides, and backguard
- Aluminized back
- Swing faucet, cold water
- 4" wide fixed guard rail
- 6" (152mm) height adjustable legs
- Jet burner
- S/S single door
- 18" High Back

Model Guide (Model No./Wok Size)				
Model#	Cabinet Size	Wok Size	Well Section Removeable Cylinder	Soup Pot Size
24-18	24"(610mm)	18" (457mm)	16" (406mm)	14" (356mm)
30-24	30"(762mm)	24" (610mm)	22" (559mm)	18" (457mm)
36-18	36"(914mm)	18" (457mm)	16" (406mm)	14" (356mm)
36-20	36"(914mm)	20" (508mm)	18" (457mm)	16" (406mm)
36-24	36"(914mm)	24" (610mm)	22" (559mm)	N/A

STANDARD BURNER FEATURES:

- 80,000 BTU/hr. cast iron jet burners for 18" wok sizes
- 120,000 BTU/hr cast iron jet burners for 20"-24" wok sizes
- Manual gas control valve & standing pilot

AGENCY APPROVALS

- NSF Listed
- CSA Design Certified to ANSI Z83.11



HDS-55 [Rev.2/17]

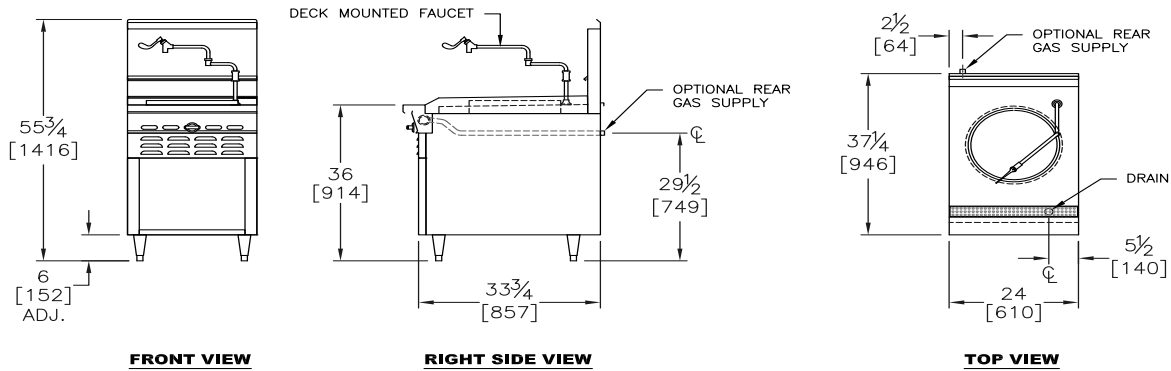
LEGEND™ Heavy-Duty Gas Range Match Wok

Item No. _____

Project _____

Quantity _____

Dimensions in brackets are millimeters



OPTIONS GUIDE:

Finish :

- Stainless Steel back panel
- Deck mounted faucet

Back Panels/Shelves:

- 18" (457mm) high back
- Single high Tube shelf
- Double high Tube shelves

Manifolds: [Left rear with pressure regulator]:

- 1" NPT up to 400,000 BTU/hr

Manifold Cap: left side right side

Stainless Manifold Cover:

- left side right side

General:

- Casters — set of four 5" (127mm) casters
- Flanged feet with holes

Flex Connector Kit [1"/25mm]:

- 3' (914mm) 4' (1219mm)

Casters with 5" wheel. Set of (4), (6) depending on model.

Accessories:

- Additional Woks: qty _____ size _____
- Wok Covers: qty _____ size _____
- Adapter Ring: qty _____
Reduces well size for use with smaller wok.
Reduce to size: _____
- Casters- set of four 5" (127mm) casters.
- Flanged feet with holes.

INSTALLATION REQUIREMENTS & SHIPPING INFORMATION

- Ranges must be installed in accordance with local codes or in their absence with the National Fuel Gas Code: ANSI Z223.1; CAN/CGA-B149.1 Natral Fuel Gas and Propane Installation code, as applicable. Compliance with codes is the responsibility of the Owner and Installer.
- An adequate ventilation system is required. Refer to National Fire Protection Association Standard No. 96, Ventilation Control and Fire Protection of Commercial Cooking Operations
- This appliance is intended for commercial use by professionally trained personnel. NOT intended for Residential Use.
- Specify installation elevation:** _____ if above 2000 feet (610m).
- GAS INLET SIZE (All Models):** 1" NPT connection (up to 560,000 BTU/hr) must be provided. A properly sized gas pressure regulator(s) is/are shipped loose and must be installed (by others) when unit is connected to gas supply.
- The incoming gas line pressure into the regulator should be 8"-14" w.c. for natural gas, and 12"-14" w.c. for propane gas
- WATER CONNECTION REQUIRED:** A 1/2" NPTM connection is provided for each faucet.

Minimum Clearances	Noncombustible Construction
From Back Wall*	0"
Left & Right Side	0"
For use in non-combustible locations only	

Specify Type of Gas:		<input type="checkbox"/> Natural	<input type="checkbox"/> Propane	Shipping Weight	Shipping Class	Cube (Crated) ft ³ /m ³
Gas Delivery Pressure:		6.0" WC	10.0" WC			
Models:	Burners	BTU/hr*	BTU/hr*			
24-18	1	80,000	80,000	350 lbs (158.76kg)	85	17/.48
30-24	1	120,000	120,000	400 lbs (181.44kg)	85	30/.6
36-18	1	80,000	80,000	450 lbs (204.12kg)	85	32/.9
36-20	1	120,000	120,000	450 lbs (204.12kg)	85	32/.9
36-24	1	120,000	120,000	450 lbs (204.12kg)	85	32/.9

Entry Clearance: 30" (762mm) uncrated, with legs removed [All Models]

Due to continuous product improvements, specifications are subject to change without notice.



THE MONTAGUE COMPANY

1830 Stearman Avenue, Hayward, CA 94545
 800 345-1830 • Fax: 510 785-3342
 www.montaguecompany.com



HDS-55 [Rev.2/17]