

# Glastender®

A family company manufacturing in the USA

[www.glastender.com](http://www.glastender.com)



C1SL48  
with compressor left,  
stainless steel doors,  
and stainless top



**Intertek**

EP 5016978  
Energy Performance  
Verified / Rendement  
Énergétique Vérifié



**Intertek**

4004503  
Conforms to NSF/ANSI STD 7  
and UL STD 471  
Certified to CSA STD C22.2 No. 120  
Listed to NSF Standard 7  
for open food as a storage refrigerator



**Intertek**

## Standard Features

- Self-contained
- Stainless steel interior
- Locking door(s)
- LED interior lighting
- Heated mullion to minimize condensation

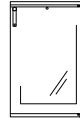
Project: _____	AIA# _____
Item #: _____ Qty: _____	SIS# _____
Model #: _____	

## Coolers, One Zone, Side Serviced, Low Profile

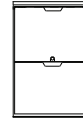
**C1SL**

C1SL20, C1SL24, C1SL28,  
C1SL36, C1SL44, C1SL48

### CONFIGURATION HIGHLIGHTS



**DOORS  
IN NINE  
FINISHES**



**DRAWERS  
IN FIVE  
FINISHES**

## Configurable Options

### Temperature:

- Beer/Food - 34°F to 40°F
- White wine - 50°F to 55°F
- Red wine - 60°F to 65°F

### Refrigeration Compartment

#### Location:

- Left or Right

### Refrigeration Compartment

#### Cover Finish:

- Black vinyl-clad
- Stainless steel
- Jeweled stainless

### Door Style & Finish

#### (specify per door section):

- Black vinyl-clad
- Stainless steel
- Jeweled stainless
- Laminated
- Unlaminated
- Glass, black vinyl-clad
- Glass, stainless steel
- Glass, jeweled stainless
- Glass, laminated

### Drawer Style & Finish:

- Black vinyl-clad
- Stainless steel
- Jeweled stainless
- Laminated
- Unlaminated

### Door Hinge Location

#### (specify for each door):

- Left or Right

### Door Handle:

- Signature
- Pull-tab
- Tube

### Shelving

#### (specify per door section):

- Two adjustable, coated-wire shelves
- Pull-out wine shelves (C1SL36, and C1SL20 excluded):
  - » one upright and two horizontal storage combination
  - » four horizontal storage or five if not next to compressor compartment

### Top Style:

- No finished top
- Stainless top
- Drainboard top

### Left and Right Side Finish:

- Black vinyl-clad
- Stainless steel

### Back Finish:

- Galvanized steel
- Stainless steel

### LED Lighting Style:

- Bright white (7,000k)
- Warm white (3,500k)
- Amber (2,700k)
- Blue

Glastender, Inc. • 5400 N Michigan Rd • Saginaw, MI • 48604-9780  
989.752.4275 • 800.748.0423 • Fax 989.752.4444  
[www.glastender.com](http://www.glastender.com)

Approval/Notes:

Specifications subject to change without notice. For current specifications please visit our website.

# Coolers - One Zone, Side Serviced, Low Profile

## Specifications

		C1SL20	C1SL24	C1SL28	C1SL36	C1SL44	C1SL48
Dimensions	Length	20"	24"	28"	36"	44"	48"
	Number of Sections	1	1	1	2	2	2
	Door Opening	12"	17.5"	20"	12"	16"	18"
Electrical	Electrical Supply	120V, 1 phase, 60 Hz, dedicated 15A circuit required					
	Full Load Amps	2.75					
	Plug Type	8 foot NEMA 5-15P grounded cord and plug which exits the back of refrigeration compartment*					
Refrigeration	Refrigerant	R290 - 105 grams, 3.7 oz., 0.23 pounds					
	Compressor	Reciprocating, 1/8HP, 1,000 BTUH, 0.08 Tons					
	Heat Rejection	1126 BTU/hr					
Operating Range		34°F (1°C) to 65°F (18°C)					
Plumbing		Automatic condensate evaporator. No drain connection required †					
Weight Bearing Capacity		Countertops and other accessories should not exceed 500 pounds per door					

### Materials

- Stainless steel parts include: exterior sub-top, interior, front of cabinet, hinges, hinge and lock brackets, and optional legs
- Black vinyl-clad steel parts include: standard sides, doors and compressor cover
- Galvanized steel parts include: back and bottom
- Zinc plated CR steel parts include: leg sockets

### Plumbing

- Optional drainboard top 1/2" ID drain line runs behind the compressor compartment; field connection required



5-15P

† Building conditions outside the guidelines of ASHRAE 55 and ASHRE 62.1 may need to be plumbed to a drain.

## Capacities

		C1SL20	C1SL24	C1SL28	C1SL36	C1SL44	C1SL48
12 oz. bottles, cases		2.8	4.5	5.1	6.9	8.9	10.3
750ml wine bottles		28	36	42	54	72	84
1/2 barrel kegs		N/A	N/A	N/A	N/A	N/A	N/A
1/6 barrel kegs		N/A	N/A	N/A	N/A	N/A	N/A
<b>Capacity values below are per door/drawer section (750ml wine bottles)</b>							
Next to compressor	Drawers	0*	0*	0*	0*	0*	0*
	Upright	N/A	N/A	N/A	N/A	N/A	N/A
	Horizontal	N/A	24	32	N/A	24	28
	Combination pull-out	N/A	34	42	N/A	30	36
Not next to compressor	Drawers	N/A	N/A	N/A	0*	0*	0*
	Upright	N/A	N/A	N/A	N/A	N/A	N/A
	Horizontal	N/A	N/A	N/A	N/A	30	35
	Combination pull-out	N/A	N/A	N/A	N/A	40	52

\* Not tall enough for wine bottles



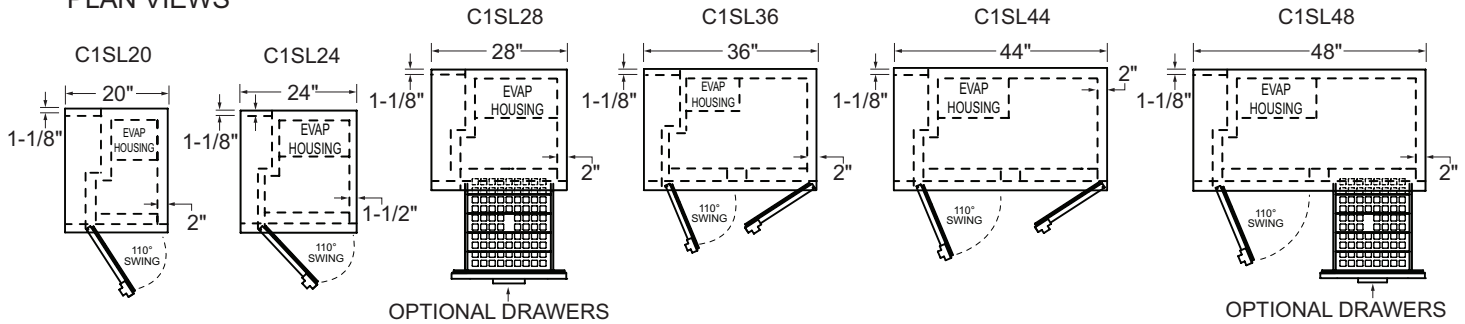
5400 N Michigan Rd • Saginaw, MI • 48604-9780  
 989.752.4275 • 800.748.0423 • Fax 989.752.4444  
 www.glastender.com

Printed in USA

# Coolers - One Zone, Side Serviced, Low Profile

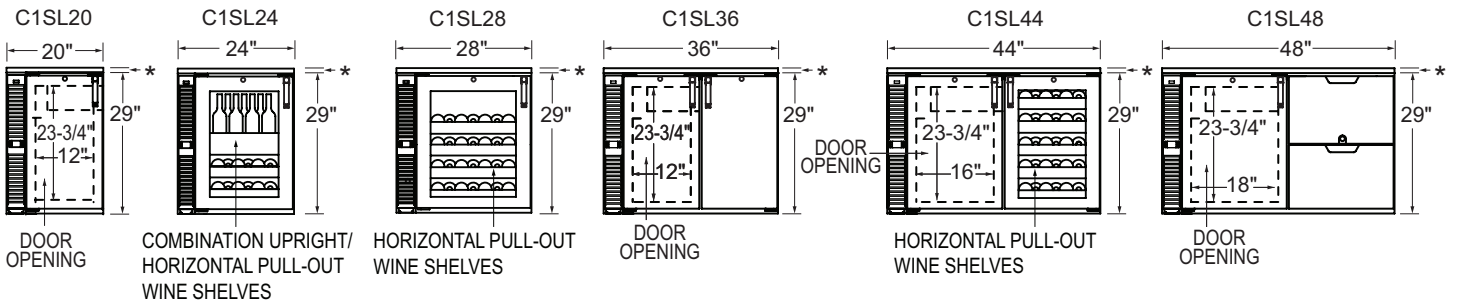
## Drawings

### PLAN VIEWS



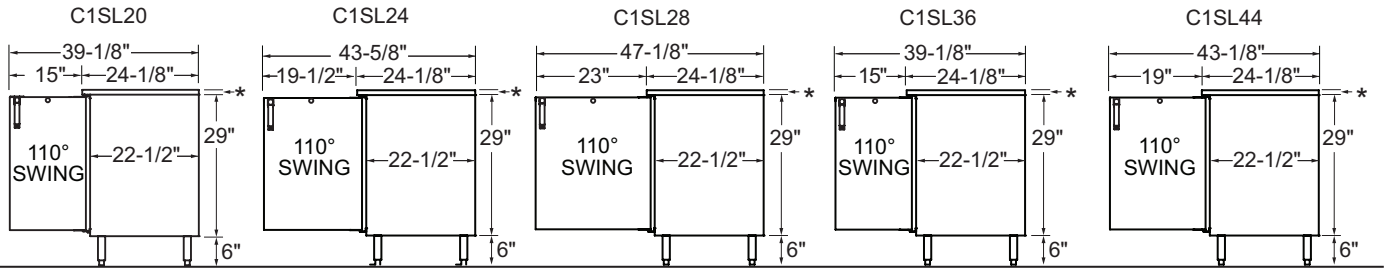
### FRONT VIEWS

\*ADD 1" HEIGHT TO TOP FOR FACTORY INSTALLED TOP

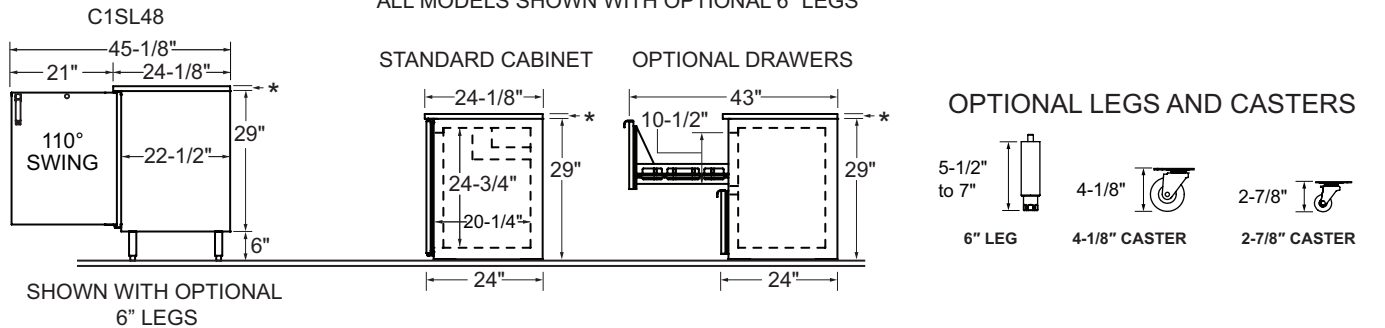


### SIDE VIEWS

\*ADD 1" HEIGHT TO TOP FOR FACTORY INSTALLED TOP



ALL MODELS SHOWN WITH OPTIONAL 6" LEGS



5400 N Michigan Rd • Saginaw, MI • 48604-9780  
 989.752.4275 • 800.748.0423 • Fax 989.752.4444  
 www.glastender.com

Printed in USA