



TEE TOWERS - STANDARD AND WIDE BASE, GLYCOL-COOLED
Century System



4006-4B



4006S8B

JOB	
AREA	
ITEM NO.	
MODEL NO.	

STANDARD BASE MODELS			
4006-2B	4006-3BTF	4006-5BPC	4006-7B
4006-2BPC	4006-4B	4006-5BTF	4006-7BPC
4006-2BTF	4006-4BPC	4006-6B	4006-7BTF
4006-3B	4006-4BTF	4006-6BPC	
4006-3BPC	4006-5B	4006-6BTF	
WIDE BASE MODELS			
4006S8B	4006S9B	4006S10B	4006S12B
4006S8BPC	4006S9BPC	4006S10BPC	4006S12BPC
4006S8BTF	4006S9BTF	4006S10BTF	4006S12BTF

Perlick's iconic **Tee Tower** design makes a statement in the bar. With a durable design and superior cooling technology, you can be sure every pour will be perfect.

KEY PRODUCT FEATURES AND BENEFITS

- Superior construction with stainless steel exterior ensures the tower is durable
- Pure copper coolant lines and cold block maintain chilled beverage temperature, minimizing foam and lost profits
- Insulated dispensing head and shank bushings minimize sweating to keep your bar clean, cool more efficiently for energy reduction, and reduce warm spots in the tower to give you the perfect pour.
- 304 Stainless steel shanks ensure purity of flavor from keg to tap

Quick Features:

- Standard base tee towers available in 2-7 faucets
- Wide base tee towers available in 8, 9, 10, or 12 faucets
- Choice of stainless steel, polished chrome or tarnish-free brass finish
- Additional faucet configurations available with the Bridge Tee Towers
- NSF listed models available
- Extra tall models available, see the chart on the next page for details

ACCESSORIES

MODEL NOS.	DESCRIPTION
630SS	Stainless steel forward sealing faucet
650SS	Stainless steel forward sealing faucet w/ flow control
680SS	Stainless steel faucet with push-back creamer
690SS	Stainless steel flow control faucet with push-back creamer
63927	Stout and ale faucet - stainless steel body and spout
308-40C	Beer faucet lock for 630 Series faucets
67141	Perlick pub handle - 7-1/2" wooden handle

* Faucets sold separately

Form No. 95151
 Rev. 02.13.23

MODEL NUMBERS -
 4006-2B, 4006-3B, 4006-4B, 4006-5B, 4006-6B, 4006-7B, 4006-2BPC, 4006-3BPC, 4006-4BPC, 4006-5BPC, 4006-6BPC, 4006-7BPC, 4006-2BTF, 4006-3BTF, 4006-4BTF, 4006-5BTF, 4006-6BTF, 4006-7BTF, 4006S8B, 4006S9B, 4006S10B, 4006S12B, 4006S8BPC, 4006S9BPC, 4006S10BPC, 4006S12BPC, 4006S8BTF, 4006S9BTF, 4006S10BTF, 4006S12BTF



TEE TOWERS - STANDARD AND WIDE BASE, GLYCOL-COOLED
Century System

MODEL NUMBERS - 4006-2B, 4006-3B, 4006-4B, 4006-5B, 4006-6B, 4006-7B, 4006-2BPC, 4006-3BPC, 4006-4BPC, 4006-5BPC, 4006-6BPC, 4006-7BPC, 4006-2BTF, 4006-3BTF, 4006-4BTF, 4006-5BTF, 4006-6BTF, 4006-7BTF, 4006-58B, 4006-59B, 4006-510B, 4006-512B, 4006-58BPC, 4006-59BPC, 4006-510BPC, 4006-512BPC, 4006-58BTF, 4006-59BTF, 4006-510BTF, 4006-512BTF, 4006-5879

STANDARD BASE

NUMBER OF FAUCETS		2	3	4	5	6	7
MODEL NUMBERS	Stainless Steel	4006-2B	4006-3B	4006-4B	4006-5B	4006-6B	4006-7B
	Polished Chrome	4006-2BPC	4006-3BPC	4006-4BPC	4006-5BPC	4006-6BPC	4006-7BPC
	Tarnish-Free Brass	4006-2BTF	4006-3BTF	4006-4BTF	4006-5BTF	4006-6BTF	4006-7BTF
"A", LENGTH (MM)		9-1/8" (232)	9-1/8" (232)	11-7/8" (302)	14-5/8" (372)	17-3/8" (441)	20-1/8" (511)
"B", STANDARD HEIGHT (MM)		12-15/16" (329)	12-15/16" (329)	12-15/16" (329)	12-15/16" (329)	12-15/16" (329)	12-15/16" (329)
"C", FAUCET CENTERS (MM)		5-1/2" (140)	2-3/4" (70)	2-3/4" (70)	2-3/4" (70)	2-3/4" (70)	2-3/4" (70)
Extra high model: To add 2-5/8" to height, add a 2 suffix to model number.		15-9/16" (395)	15-9/16" (395)	15-9/16" (395)	15-9/16" (395)	15-9/16" (395)	15-9/16" (395)
Extra high model: To add 3-3/4" to height, add a 4 suffix to model number.		16-11/16" (424)	16-11/16" (424)	16-11/16" (424)	16-11/16" (424)	16-11/16" (424)	16-11/16" (424)
SHIPPING WEIGHT, LBS. (KG)		30 (13)	32 (14)	35 (15)	37 (16)	40 (18)	42 (19)
OPTIONAL DRIP PAN	TOP MOUNT - 5020 SERIES	5020*	5020*	5020*	5025*	5025*	5028*
	TOP MOUNT - C18000 SERIES	C18640A*	C18640A*	C18640A*	C18645A*	C18645A*	C18605A*
	RECESSED	C21379A*	C21379A*	C21379A*	C32357*/C32257*	C32357*/C32257*	C32357*/C32257*

* Add "TF" to Drip Pan model number for Tarnish-Free Brass finish.

WIDE BASE

NUMBER OF FAUCETS		8	9	10	12
MODEL NUMBERS	Stainless Steel	400658B	400659B	4006510B	4006512B
	Polished Chrome	400658BPC	400659BPC	4006510BPC	4006512BPC
	Tarnish-Free Brass	400658BTF	400659BTF	4006510BTF	4006512BTF
"A", LENGTH (MM)		22-7/8" (581)	26-7/8" (683)	29-13/16" (757)	35-3/4" (908)
"B", STANDARD HEIGHT (MM)		12-15/16" (329)	12-15/16" (329)	12-15/16" (329)	12-15/16" (329)
"C", FAUCET CENTERS (MM)		2-3/4" (70)	3" (76)	3" (76)	3" (76)
Extra high model: To add 2-5/8" to height, add a 2 suffix to model number.		15-9/16" (395)	15-9/16" (395)	15-9/16" (395)	15-9/16" (395)
Extra high model: To add 3-3/4" to height, add a 4 suffix to model number.		16-11/16" (424)	16-11/16" (424)	16-11/16" (424)	16-11/16" (424)
BASE WIDTH		7-5/8" (194)	12" (305)		
SHIPPING WEIGHT, LBS. (KG)		48 (21)	50 (22)	52 (23)	54 (24)
OPTIONAL DRIP PAN	TOP MOUNT - 5020 SERIES	5028*	n/a	n/a	5030*
	TOP MOUNT - C18000 SERIES	C18650A*	C18655*	C18655*	C18660*
	RECESSED	n/a	n/a	n/a	59879

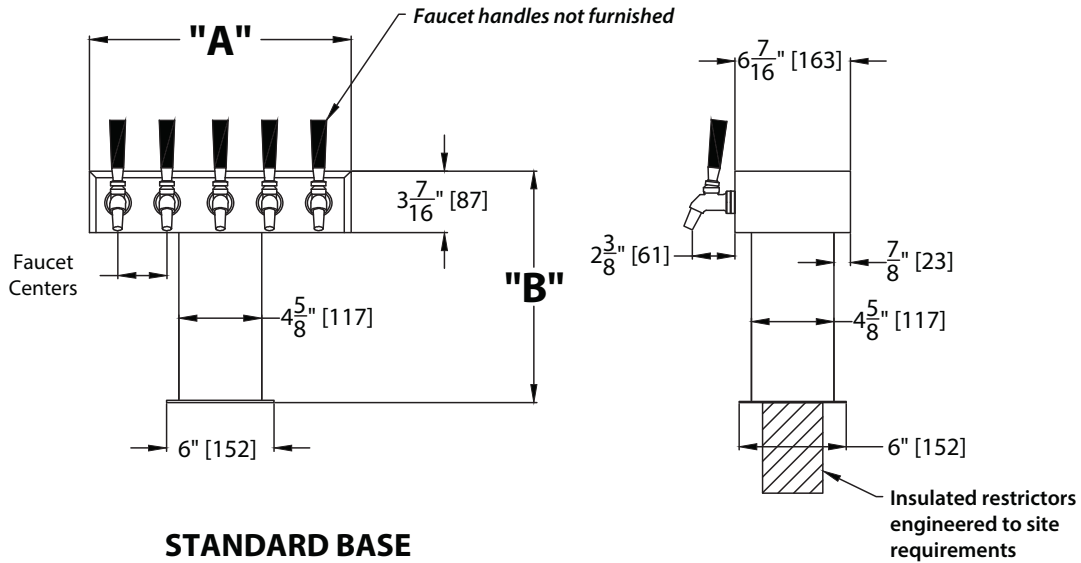
* Add "TF" to Drip Pan model number for Tarnish-Free Brass finish.



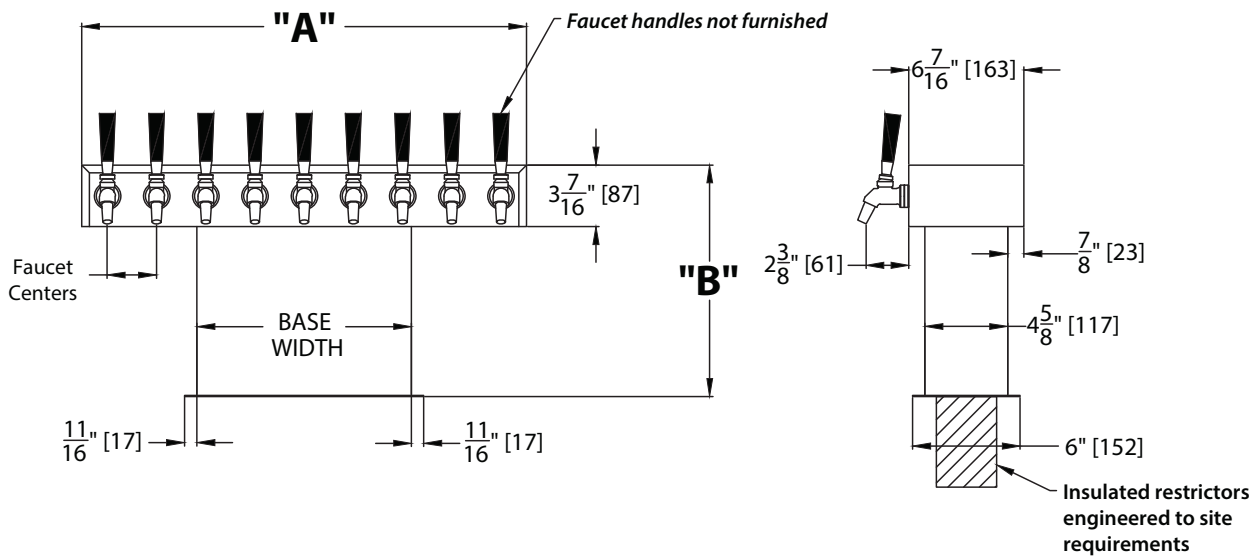
TEE TOWERS - STANDARD AND WIDE BASE, GLYCOL-COOLED
Century System

MODEL NUMBERS -

4006-2B, 4006-3B, 4006-4B, 4006-5B, 4006-6B, 4006-7B, 4006-2BPC, 4006-3BPC, 4006-4BPC, 4006-5BPC, 4006-6BPC, 4006-7BPC, 4006-2BT, 4006-3BT, 4006-4BT, 4006-5BT, 4006-6BT, 4006-7BT, 4006-2BTF, 4006-3BTF, 4006-4BTF, 4006-5BTF, 4006-6BTF, 4006-7BTF, 4006-2BT, 4006-3BT, 4006-4BT, 4006-5BT, 4006-6BT, 4006-7BT, 4006-2BTF, 4006-3BTF, 4006-4BTF, 4006-5BTF, 4006-6BTF, 4006-7BTF



**STANDARD BASE
 TEE TOWERS**



**WIDE BASE
 TEE TOWERS**