

"4DCO4" DISH STORAGE CABINETS

Heavy Duty - 14GA, 15" or 18" Wide

FEATURES:

- Dish Cabinet w/Open Base, 18" Depth
- Buffet Cabinet w/Open Base, 15" Depth
- Flat Top With 1-1/2" Stallion Edge On Front And 90 Degree Bend Down On Side Edge For Table Line Up
- Top Is Sound Deadened
- Stainless Steel Legs With Adjustable Bullet Foot
- Fixed Mid Shelf
- Shipped Standard Welded Set Up

SPECIFICATIONS:

- Top: 14GA Type 300 Stainless Steel w/#4 Polish Satin Finish
- Body: 18GA Type 400 Stainless Steel
- Legs: Stainless Steel w/Adjustable Bullet Feet

CERTIFICATIONS:



4DCO4-1548

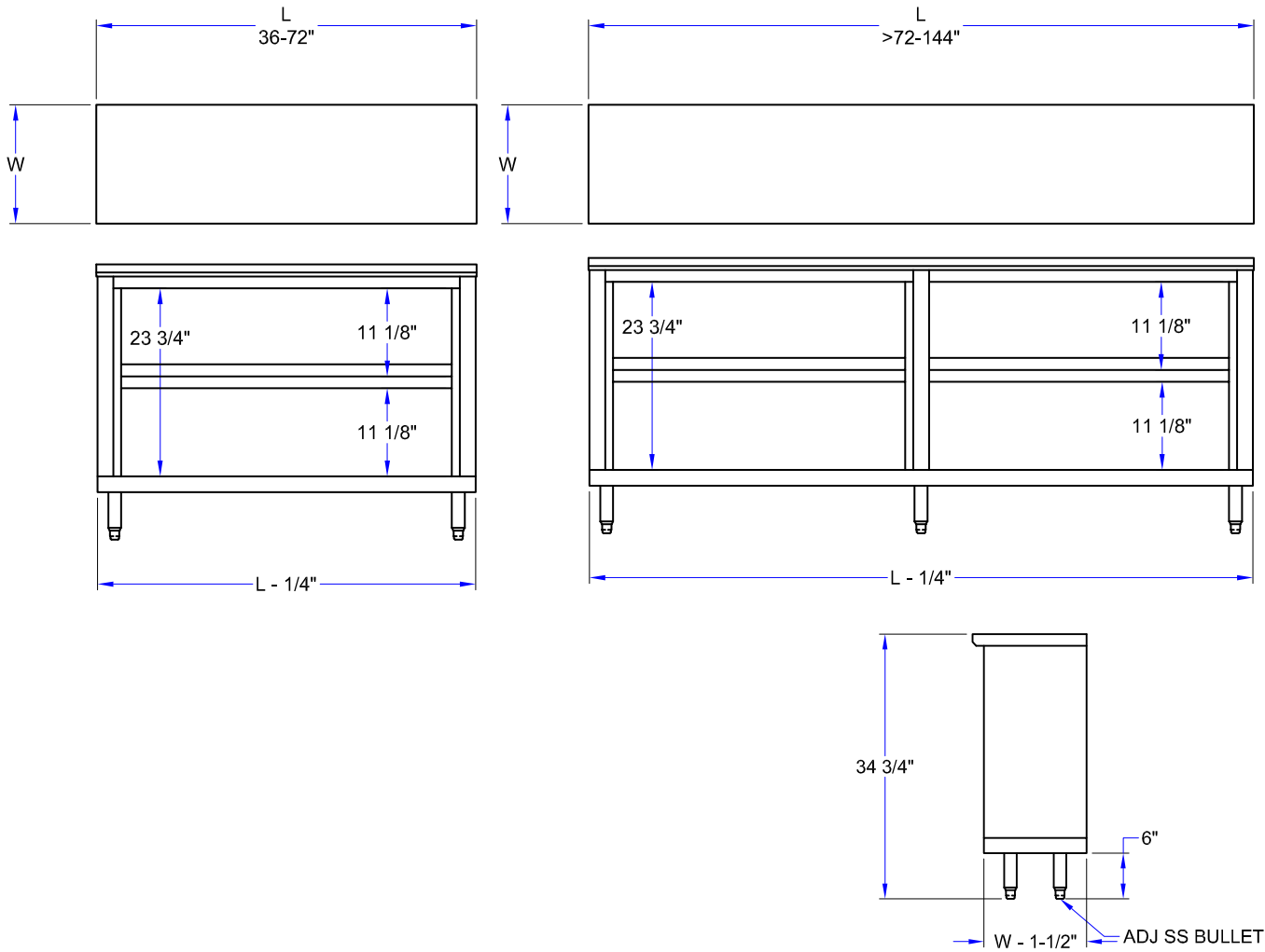
"4DCO4" HEAVY DUTY DISH STORAGE CABINETS

MODEL	SIZE (L X W X H)	WEIGHT (LBS)
4DCO4-1548	48"x15"x34-3/4"	115
4DCO4-1560	60"x15"x34-3/4"	139
4DCO4-1572	72"x15"x34-3/4"	176
4DCO4-1584 *	84"x15"x34-3/4"	194
4DCO4-1596 *	96"x15"x34-3/4"	221
4DCO4-15108 *	108"x15"x34-3/4"	244
4DCO4-15120 *	120"x15"x34-3/4"	264
4DCO4-15132 *	132"x15"x34-3/4"	289
4DCO4-15144 *	144"x15"x34-3/4"	311
4DCO4-1848	48"x18"x34-3/4"	127
4DCO4-1860	60"x18"x34-3/4"	151
4DCO4-1872	72"x18"x34-3/4"	175
4DCO4-1884 *	84"x18"x34-3/4"	216
4DCO4-1896 *	96"x18"x34-3/4"	238
4DCO4-18108 *	108"x18"x34-3/4"	263
4DCO4-18120 *	120"x18"x34-3/4"	289
4DCO4-18132 *	132"x18"x34-3/4"	315
4DCO4-18144 *	144"x18"x34-3/4"	340

*84"-144" LENGTH INCLUDE CENTER SUPPORT WALL

ALL DIMENSIONS ARE TYPICAL. TOLERANCE +/- .500". JOHN BOOS & CO. RESERVES THE RIGHT TO CHANGE SPECIFICATIONS WITHOUT NOTICE.

DETAILED SPECIFICATIONS



"4DCO4" HEAVY DUTY DISH STORAGE CABINETS

MODEL	SIZE (L X W X H)	WEIGHT (LBS)
4DCO4-1548	48"x15"x34-3/4"	115
4DCO4-1560	60"x15"x34-3/4"	139
4DCO4-1572	72"x15"x34-3/4"	176
4DCO4-1584 *	84"x15"x34-3/4"	194
4DCO4-1596 *	96"x15"x34-3/4"	221
4DCO4-15108 *	108"x15"x34-3/4"	244
4DCO4-15120 *	120"x15"x34-3/4"	264
4DCO4-15132 *	132"x15"x34-3/4"	289
4DCO4-15144 *	144"x15"x34-3/4"	311
4DCO4-1848	48"x18"x34-3/4"	127
4DCO4-1860	60"x18"x34-3/4"	151
4DCO4-1872	72"x18"x34-3/4"	175
4DCO4-1884 *	84"x18"x34-3/4"	216
4DCO4-1896 *	96"x18"x34-3/4"	238
4DCO4-18108 *	108"x18"x34-3/4"	263
4DCO4-18120 *	120"x18"x34-3/4"	289
4DCO4-18132 *	132"x18"x34-3/4"	315
4DCO4-18144 *	144"x18"x34-3/4"	340

*84"-144" LENGTH INCLUDE CENTER SUPPORT WALL

ALL DIMENSIONS ARE TYPICAL. TOLERANCE +/- .500". JOHN BOOS & CO. RESERVES THE RIGHT TO CHANGE SPECIFICATIONS WITHOUT NOTICE.