

APPLICATION:

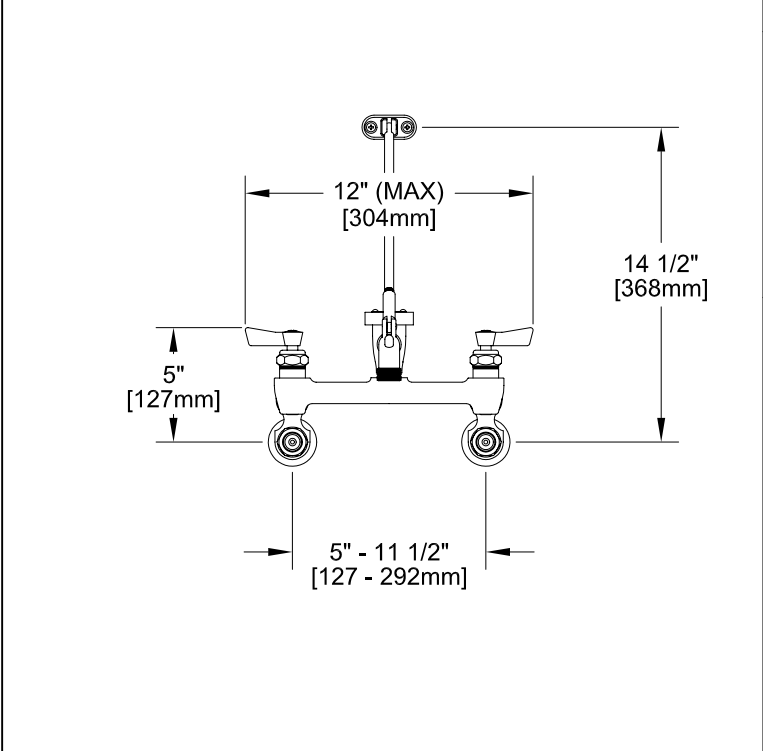
JOB NAME:

QUANTITY: ITEM NO.

PRODUCT NAME:
 SERVICE SINK FAUCET, LONG SPOUT,
 ECCENTRIC STOPS AND VACUUM BREAKER

_____ SPECIAL CONFIGURATION
 CHECK BASE MODEL AND OPTIONS

MODEL:
 8261



OPTIONS OR MODIFICATIONS:

SUPPLY LINES (24" OR 36") CIRCLE LENGTH

NIPPLES

ELBOWS

HANDLES (CROSS OR WRIST) CIRCLE STYLE

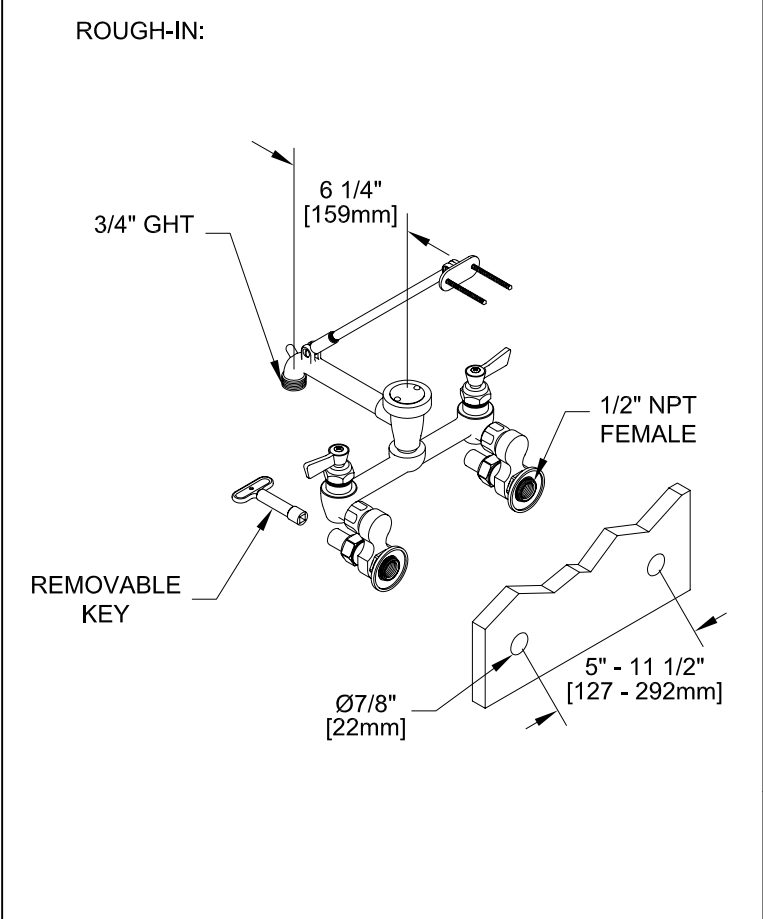
VANDAL RESISTANT KIT

OTHER _____

FEATURES

CONTROL VALVE

- * KEY-STOP ECCENTRICS ADJUST FROM 5" TO 11 1/2"
- * INTERNAL SPRING LOADED CHECK VALVES
- * SWIVELLING SEAT DISKS
- * HOT SIDE STEM - RIGHT HAND
- * COLD SIDE STEM - LEFT HAND
- * ECCENTRIC STEMS - RIGHT HAND SWIVEL
- * STAINLESS STEEL SEATS
- * STAINLESS STEEL SEAT SCREWS
- * STAINLESS STEEL HANDLE SCREWS
- * ATMOSPHERIC VACUUM BREAKER
- * 3/4" GARDEN HOSE THREAD OUTLET



SYSTEM LIMITS

- * TEMP: 40°F MIN. TO 140°F MAX.
- * PRESSURE: 200 PSI MAX. STATIC
- * 13.6 GPM AT 80 PSI

SHIPPING WEIGHT

- * 7.5 LBS

ANSI/A112.18.1M

FISHER
 FISHER MANUFACTURING COMPANY
 TOLL FREE: 800-421-6162 - FAX: 800-832-8238
 information@fisher-mfg.com - www.fisher-mfg.com