

"4CD4" DRAWER CABINET

14GA S.S. Flat Top

FEATURES:

- 14GA Stainless Steel Flat Top W/Front Stallion Edge
- 18GA Type 300 Stainless Steel Base
- 3 Tier Drawer (Available With And Without Locks)
- Removable Drawer Pans
- Adjustable Bullet Feet
- Overall Height 35-3/4"

SPECIFICATIONS:

- Top: Stainless Steel Tops Are TIG Welded, Exposed Welds Are Polished To Match Adjacent Surface
- Top: 14GA Type 300 Stainless Steel
- Base: 18GA Type 400 Stainless Steel

CERTIFICATIONS:



4CD4-2724



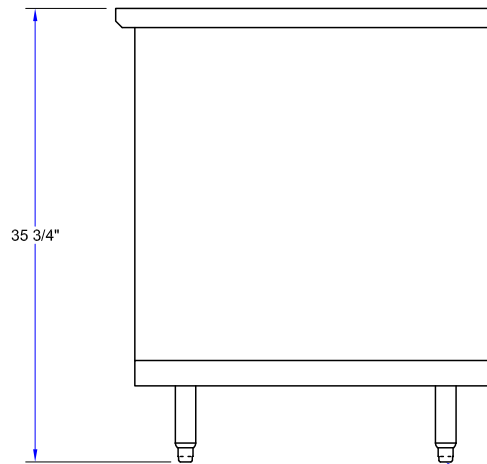
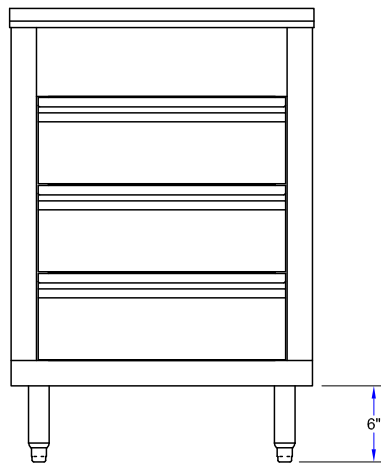
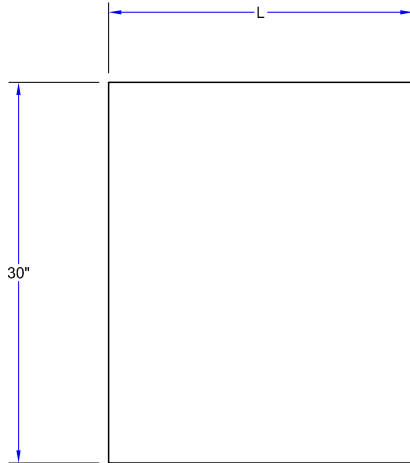
"4CD4" DRAWER CABINET

MODEL	DESCRIPTION	SIZE (L X W X H)	WEIGHT (LBS)
4CD4-3024	No Locks	24"x30"x35-3/4"	180
4CD4-3030	No Locks	29-1/2"x30"x35-3/4"	211
4CD4-3024-L	With Locks	24"x30"x35-3/4"	180
4CD4-3030-L	With Locks	29-1/2"x30"x35-3/4"	211

ALL DIMENSIONS ARE TYPICAL. TOLERANCE +/- .500". JOHN BOOS & CO. RESERVES THE RIGHT TO CHANGE SPECIFICATIONS WITHOUT NOTICE.

DETAILED SPECIFICATIONS

4CD4-2724



ADJ SS BULLET

"4CD4" DRAWER CABINET

MODEL	DESCRIPTION	SIZE (L X W X H)	WEIGHT (LBS)
4CD4-3024	No Locks	24"x30"x35-3/4"	180
4CD4-3030	No Locks	29-1/2"x30"x35-3/4"	211
4CD4-3024-L	With Locks	24"x30"x35-3/4"	180
4CD4-3030-L	With Locks	29-1/2"x30"x35-3/4"	211

ALL DIMENSIONS ARE TYPICAL. TOLERANCE +/- .500". JOHN BOOS & CO. RESERVES THE RIGHT TO CHANGE SPECIFICATIONS WITHOUT NOTICE.