

# 3M™ Water Filtration Products

SPEC# \_\_\_\_\_

QUANTITY \_\_\_\_\_

application: **COFFEE/ESPRESSO/STEAMERS/ICE/COLD BEV**

models:

## ScaleGard™ HP Reverse Osmosis System



The ScaleGard™ HP reverse osmosis system produces 930-1,040 gpd<sup>1</sup> gallons of Recipe Quality Water™ per day for a great tasting cup of coffee, espresso or cold beverage. Equipped with a precision blending valve, this wall-mountable system allows a store owner to dial in the desired level of dissolved-minerals for the perfect cup of coffee, espresso or cold beverage.

The system also incorporates a “smart” diagnostic monitoring system that alerts the operator when the ScaleGard HP system requires maintenance. This feature helps to ensure that the system is performing properly.

The ScaleGard HP incorporates a modular design that allows the system to grow with business needs. Simply add RO and Pre-Filter/RO expansion heads to double the RO water production.

### PRODUCT BENEFITS

- Can easily double RO production by adding RO and Pre-Filter expansion heads (Sold Separately)
- Pre-Filter cartridge contains Integrated Membrane Pre-Activated Carbon Technology (“I.M.P.A.C.T.”) media which includes Chlorine/Chloramines protection to reduce corrosion and protects the RO membrane
- Alerts the operator when the system’s cartridges need to be replaced or system requires maintenance
- Precision blending allows store owner to dial in the desired level of dissolved minerals for Recipe Quality Water™
- Base system produces 930-1,040 gpd<sup>1</sup> (0.64-0.72 gpm) of RO water
- The integrated heavy duty booster pump provides long pump life, helps reduce maintenance cost, and runs quietly
- Real-time pressure and TDS monitoring
- Permeate rinse for added TDS reduction and control
- Allows for small footprint and easy installation
- High RO efficiency capacity of up to 80% recovery (with blending) which allows for high water savings
- Sanitary Quick Change (SQC) cartridge design allows for quick cartridge change-outs
- Available in 110/60Hz and 220V/50Hz (recommend dedicated 15 Amp circuit)

### PRODUCT SPECIFICATIONS

| Model Number  | Description                             | Part Number              | Reduction Claims  | Capacity  |
|---|---|--------------------------|---|---|
| ScaleGard™ HP Reverse Osmosis System                  | High Flow Reverse Osmosis System        | 5629101 <sup>2</sup> USA | —   | 930-1,040 gpd<br>2,839-3,551 liters                 |
|   |   | 6239301 <sup>3</sup> USA |   | N/A   |
|   |   | 6239302 <sup>4</sup> EU  |   | N/A   |
|   |   | 6239303 <sup>5</sup> UK  |   | N/A   |
|   |   | 6239304 <sup>6</sup> AU  |   | N/A   |
| HFRO-500  | High Flow Reverse Osmosis Membrane      | 5626903                  | N/A   | —   |
| HF90-CL-RO  | Pre-Filter*                             | 5613529                  | 0.2 micron, bacteria <sup>7</sup> , sediment, chlorine taste and odor, chloramines, cyst <sup>8</sup> | —   |
| BEV140/BEV160   | Post-Filter* (Required/Sold Separately) | 5616201/5616301          | bacteria <sup>7</sup> , bacteriostatic, sediment, chlorine taste & odor, cyst <sup>8</sup>            | 25,000 gal./35,000 gal.<br>94,635 lit./132,489 lit. |
| ScaleGard™ HP Reverse Osmosis System Installation Kit | Installation Kit (Sold Separately)      | 6841441                  | —   | —   |
| SGHP Pre-EXP  | SGHP Pre-Expansion Assembly Manifold    | 6235205                  | —   | —   |
| SGHP RO-EXP   | SGHP RO-Expansion Assembly Manifold     | 6232705                  | —   | —   |

\* For more pre-filter, post filter and tank options, please refer to the Foodservice Price Book

1. Production rate is dependent on water temperature and blending valve setting.

2. ScaleGard HP reverse osmosis system (110-120VAC) with Pre-Filter and RO cartridges with USA plug.

3. ScaleGard HP reverse osmosis system (110-120VAC) without Pre-Filter and RO cartridges with USA plug.

4. ScaleGard HP reverse osmosis system (220-240VAC) without Pre-Filter and RO cartridges with EU plug.

5. ScaleGard HP reverse osmosis system (220-240VAC) without Pre-Filter and RO cartridges with UK plug.

6. ScaleGard HP reverse osmosis system (220-240VAC) without Pre-Filter and RO cartridges with AU plug.

7. As tested and verified with *e.Coli* ATCC (11229) or *Pseudomonas (B) diminuta* ATCC (19146) by manufacturer's laboratory.

8. Based on the use of *Cryptosporidium parvum* oocysts.



# ScaleGard™ HP Reverse Osmosis System

# 3M™ Water Filtration Products

SPEC# \_\_\_\_\_  
 QUANTITY \_\_\_\_\_  
 MODEL NUMBER \_\_\_\_\_  
 PART NUMBER \_\_\_\_\_

## IMPORTANT: INSTALLATION TIPS

These installation tips are for informational purposes only and are not intended to be used as actual installation instructions.

- Maximum Inlet Water TDS of <1000 ppm
- Maximum Inlet Water Hardness of <10 grains
- Maximum Total Chlorine Concentration <0.1 ppm or mg/l

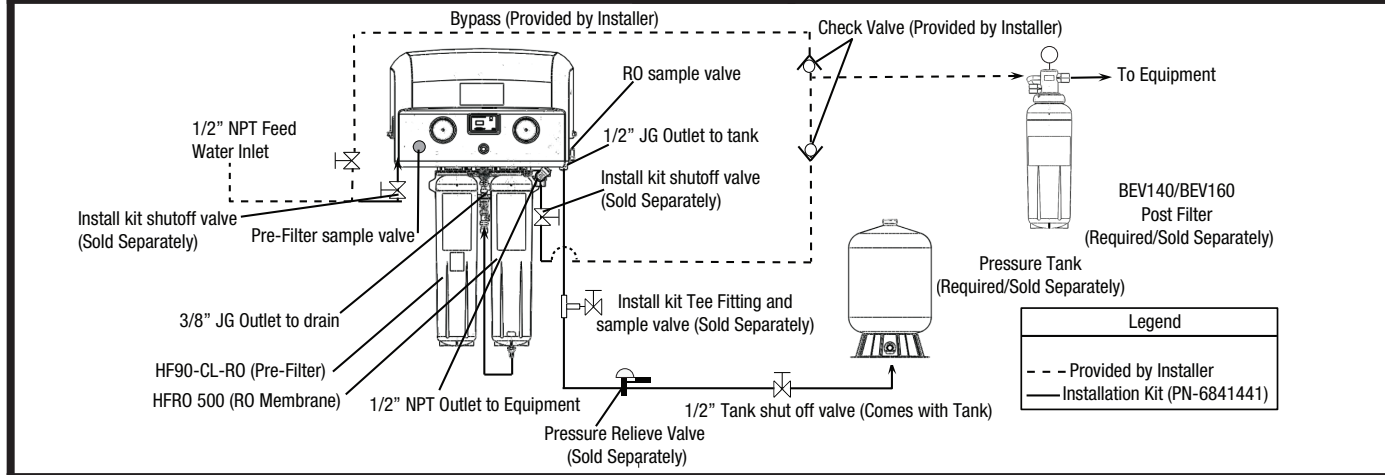
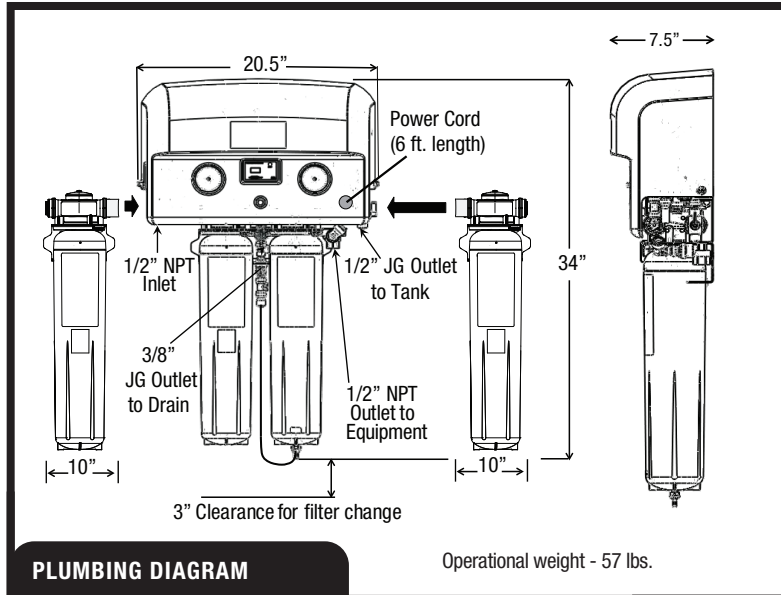
**⚠ WARNING:** To reduce the risk associated with the ingestion of contaminants:

• Do not use with water that is microbiologically unsafe or of unknown quality without adequate disinfection before or after the system.

• An approved post filter and tank must be used with the RO system.

**NOTICE:** To reduce the risk associated with property damage due to water leakage or flooding:

- Read and follow Use Instructions before installation and use of this system.
- Change the disposable RO membrane cartridge every 24 months, or sooner if a noticeable increase in TDS occurs.
- Change the disposable pre and post filter cartridge every 6 months or sooner if you observe a noticeable reduction in water flow rate.
- Failure to replace the disposable filter cartridge at recommended intervals may lead to reduced filter performance and cracks in the filter housing, causing water leakage or flooding.



3M Purification Inc. (3M Purification) recommends regularly scheduled maintenance and replacement of the filter cartridge(s) in order for the product to perform as advertised/sold. 3M Purification shall not be liable for system failures due to improper maintenance.

## WARRANTY, LIMITED REMEDY, AND DISCLAIMER

Many factors beyond 3M's control and uniquely within user's knowledge and control can affect the use and performance of a 3M product in a particular application. User is solely responsible for evaluating the 3M product and determining whether it is fit for a particular purpose and suitable for user's method of application. Unless an additional warranty is specifically stated on the applicable 3M product packaging or product literature, 3M warrants that each 3M product meets the applicable 3M product specification at the time 3M ships the product. **3M MAKES NO OTHER WARRANTIES OR CONDITIONS, EXPRESS OR IMPLIED, INCLUDING, BUT NOT LIMITED TO, ANY IMPLIED WARRANTY OR CONDITION OF MERCHANTABILITY OR FITNESS FOR A PARTICULAR PURPOSE OR ANY IMPLIED WARRANTY OR CONDITION ARISING OUT OF A COURSE OF DEALING, CUSTOM OR USAGE OF TRADE.** If the 3M product does not conform to this warranty, then the sole and exclusive remedy is, at 3M's option, replacement of the 3M product or refund of the purchase price.

**Limitation of Liability:** Except where prohibited by law, 3M will not be liable for any loss or damage arising from the 3M product, whether direct, indirect, special, incidental or consequential, regardless of the legal theory asserted, including warranty, contract, negligence or strict liability.



3M Purification Inc.  
 400 Research Parkway  
 Meriden, CT 06450 U.S.A.  
 Phone: 1.866.990.9785  
 Worldwide: 203.237.5541  
 Fax: 203.238.8701  
 www.3Mfoodservice.com  
 www.3Mpurification.com

3M, ScaleGard and Recipe Quality Water are trademarks of 3M Company.  
 © 2014 3M Company. All rights reserved.  
 70020299593 REV 0614