



# Convenience Store Sink

## Stainless Steel Compartment Sinks



### Certifications:



### Features:

- 1/4" Pitched Drainboards To Ensure Proper Drainage
- 1 1/2" Rounded Front and Side Edges
- Accommodates 8" On Center Faucets
- Basket Drains Included
- 9" Backsplash

### Options:

- Pre-Rinse Units & Faucets
- Lever Drains
- Upgraded Bullet Feet
- Slant Rack Shelf (BK-SSH)
- End Splash (BKS-RES)
- S/S Basket Drain (BKDR-4-304)

### Material:

- T-304 18 ga. Stainless Steel Deck & Bowls
- 1 5/8" Galvanized Legs
- Adjustable High Impact Corrosion Resistant Feet

### Model #s ending with "S":

- T-304 18 ga. Stainless Steel Deck & Bowls
- Stainless Steel Legs
- Stainless Steel End Bracing
- Adjustable Stainless Steel over Plastic Bullet Feet

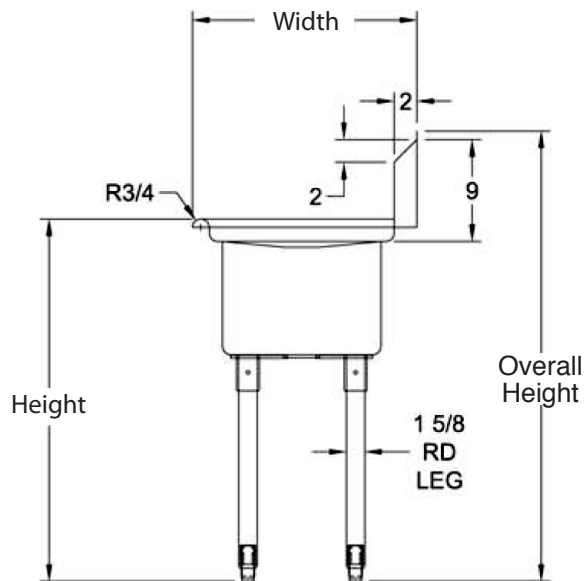
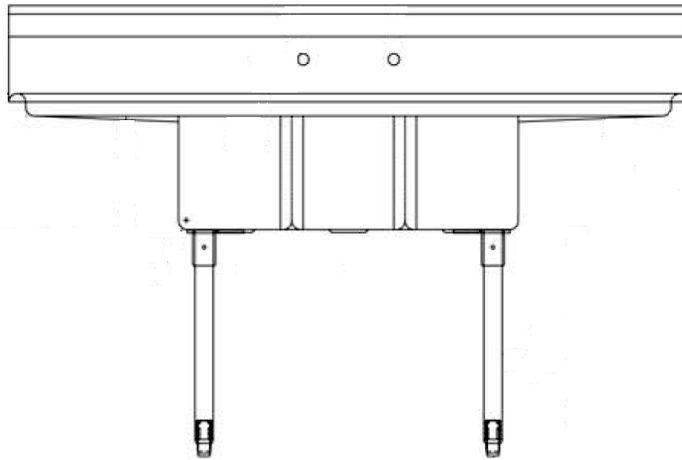
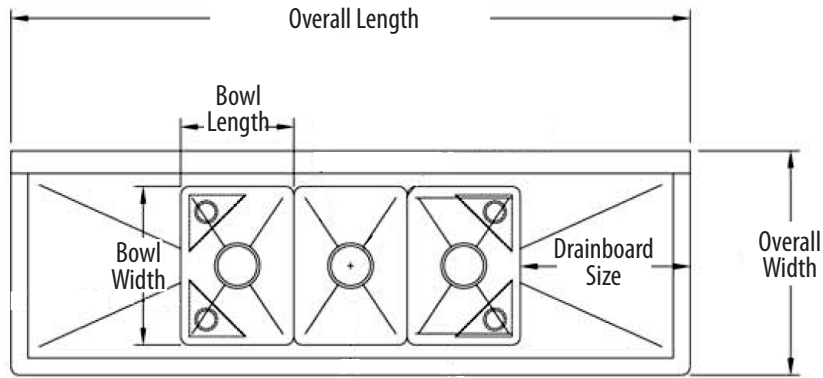
Part Number	Unit Size (l x w)	Bowl Dim. (l x w x d)	Height	Overall Height	# of Sinks	Sets of Faucet Holes	Drainboard Size	Legs	Product Weight (lbs)
BKS-3-1014-10	35 1/2" x 19 13/16"	10" x 14" x 10"	32"	39 3/4"	3	1	None	Galvanized	44.00
BKS-3-1014-10S	35 1/2" x 19 13/16"	10" x 14" x 10"	32"	39 3/4"	3	1	None	Stainless Steel w/ End Bracing	51.50
BKS-3-1014-10-12T	54" x 19 13/16"	10" x 14" x 10"	32"	39 3/4"	3	1	(2) - 12"	Galvanized	52.00
BKS-3-1014-10-12TS	54" x 19 13/16"	10" x 14" x 10"	32"	39 3/4"	3	1	(2) - 12"	Stainless Steel w/ End Bracing	60.00
BKS-3-1014-10-15L	47 1/2" x 19 13/16"	10" x 14" x 10"	32"	39 3/4"	3	1	Left 15"	Galvanized	49.00
BKS-3-1014-10-15LS	47 1/2" x 19 13/16"	10" x 14" x 10"	32"	39 3/4"	3	1	Left 15"	Stainless Steel w/ End Bracing	56.50
BKS-3-1014-10-15R	47 1/2" x 19 13/16"	10" x 14" x 10"	32"	39 3/4"	3	1	Right 15"	Galvanized	49.00
BKS-3-1014-10-15RS	47 1/2" x 19 13/16"	10" x 14" x 10"	32"	39 3/4"	3	1	Right 15"	Stainless Steel w/ End Bracing	56.50
BKS-3-1014-10-15T	60" x 19 13/16"	10" x 14" x 10"	32"	39 3/4"	3	1	(2) - 15"	Galvanized	54.00
BKS-3-1014-10-15TS	60" x 19 13/16"	10" x 14" x 10"	32"	39 3/4"	3	1	(2) - 15"	Stainless Steel w/ End Bracing	59.50
BKS-3-1220-12-12T	60" x 25 13/16"	12" x 20" x 12"	32"	39 3/4"	3	1	(2) - 12"	Galvanized	70.00
BKS-3-1220-12-12TS	60" x 25 13/16"	12" x 20" x 12"	32"	39 3/4"	3	1	(2) - 12"	Stainless Steel w/ End Bracing	79.00
BKS-3-1416-12-12T	66" x 21 13/16"	14" x 16" x 12"	32"	43 3/4"	3	1	(2) - 12"	Galvanized	59.00
BKS-3-1416-12-12TS	66" x 21 13/16"	14" x 16" x 12"	32"	43 3/4"	3	1	(2) - 12"	Stainless Steel w/ End Bracing	68.00





# Convenience Store Sink

Stainless Steel Compartment Sinks



PRODUCT DATA SHEET

BK RESOURCES

