

Glastender®

A family company manufacturing in the USA

www.glastender.com



CP1RL48
with stainless doors,
and top



Intertek Intertek

4004503

Conforms to NSF/ANSI STD 7
and UL STD 471

Certified to CSA STD C22.2 No. 120
Meets NSF 7 requirements for open
food as a storage refrigerator

Standard Features

- Remote refrigeration
- Stainless steel interior
- Locking doors
- LED interior lighting
- Heated mullion to minimize condensation
- Stainless steel evaporator housing with separate removable evaporator drain pan
- Two adjustable, coated-wire shelves per door section

Project: _____	AIA# _____
Item #: _____ Qty: _____	SIS# _____
Model #: _____	

Coolers Pass-Thru, One Zone, Remote, Low Profile

CP1RL

CP1RL24, CP1RL40, CP1RL48,
CP1RL60, CP1RL72

CONFIGURATION HIGHLIGHT



Configurable Options

Temperature:

- Beer/White wine -
34°F to 40°F / 50°F to 55°F
- Beer/Red wine -
34°F to 40°F / 60°F to 65°F
- White/Red wine -
50°F to 55°F / 60°F to 65°F

Expansion Valve Type:

- R448A/R449A
- R134a/R513A
- R404A/R452A
- R407A/R407F

Refrigeration Hook-Up

Location:

- Left or Right

Door Style & Finish (specify per door section):

- Black vinyl-clad
- Stainless steel
- Jeweled stainless
- Laminated
- Unlaminated
- Glass, black vinyl-clad
- Glass, stainless steel
- Glass, jeweled stainless
- Glass, laminated

Door Hinge Location (specify for each door):

- Left or Right

Door Handle:

- Signature
- Pull-tab
- Tube

Top Style:

- No finished top
- Stainless top

Left and Right Side Finish:

- Black vinyl-clad
- Stainless steel

LED Lighting Style:

- Bright white (7,000k)
- Warm white (3,500k)
- Amber (2,700k)
- Blue

Glastender, Inc. • 5400 N Michigan Rd • Saginaw, MI • 48604-9780
989.752.4275 • 800.748.0423 • Fax 989.752.4444
www.glastender.com

Approval/Notes:

Specifications subject to change without notice. For current specifications please visit our website.

Coolers - Pass-Thru, One Zone, Remote, Low Profile

Specifications

		CP1RL24	CP1RL40	CP1RL48	CP1RL60	CP1RL72
Dimensions	Length	24"	40"	48"	60"	72"
	Number of Sections	1	2	2	3	3
	Door Opening	20"	16"	20"	16"	20"
Electrical	Electrical Supply	120V, 1 phase, 60 Hz, dedicated 15A circuit required				
	Full Load Amps	1.5				
	Plug Type	No plug, hard wire connection				
Refrigeration	Refrigerant	As specified				
	Compressor	N/A				
	System Capacity Requirements	850 BTUH	1600 BTUH	1600 BTUH	2000 BTUH	2000 BTUH
Plumbing		Drains via a supplied length of six foot 1/2" ID by 5/8" OD vinyl tubing via available knock-out holes, connection made in field				
Weight Bearing Capacity		Countertops and other accessories should not exceed 200 pounds per door				

Electrical

- 14 gauge wire connection is made inside the cooler next to evaporator housing - interior access is through one of the 3/4" side knock-out holes (electrician's choice)

Materials

- Stainless steel parts include: exterior sub-top, interior, front of cabinet, hinges, hinge and lock brackets, and optional legs
- Black vinyl-clad steel parts include: standard sides, doors and compressor cover
- Galvanized steel parts include: back and bottom
- Zinc plated CR steel parts include: leg sockets

Refrigeration

- Expansion valve & temperature control included; specify type when ordering
- BTU/hr design loads are figured assuming 85° F ambient, 15° F evaporator temperature, all glass doors, maximum internal loading, and average compressor cycling, no solar heat gain has been accounted for

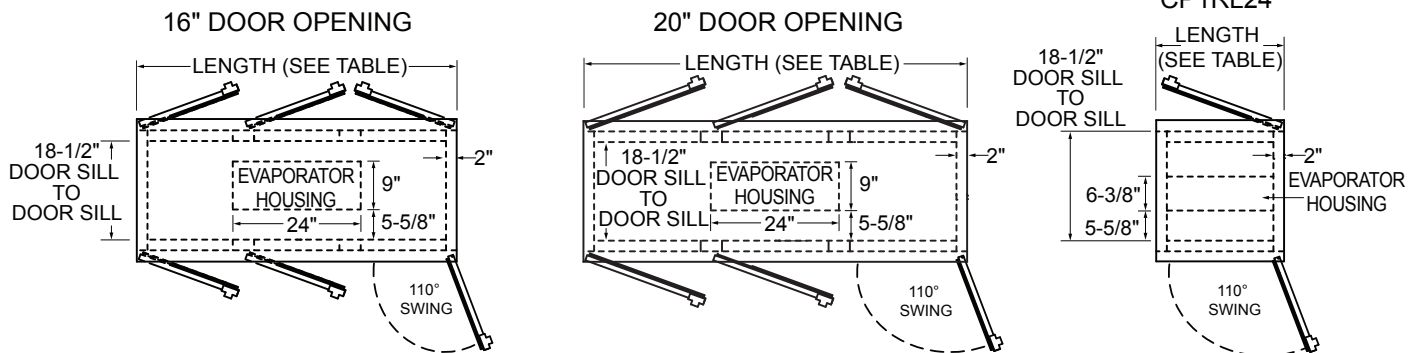
Capacities

	CP1RL24	CP1RL40	CP1RL48	CP1RL60	CP1RL72
12 oz. bottles, cases	4.7	8.2	11.8	13.8	18.3
750ml wine bottles	42	66	90	106	137

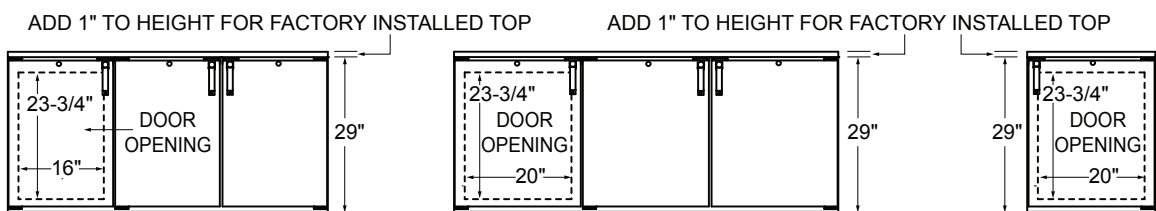
Coolers - Pass-Thru, One Zone, Remote, Low Profile

Drawings

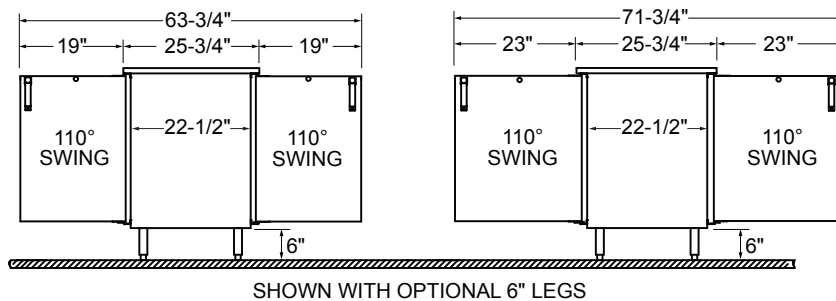
PLAN VIEW



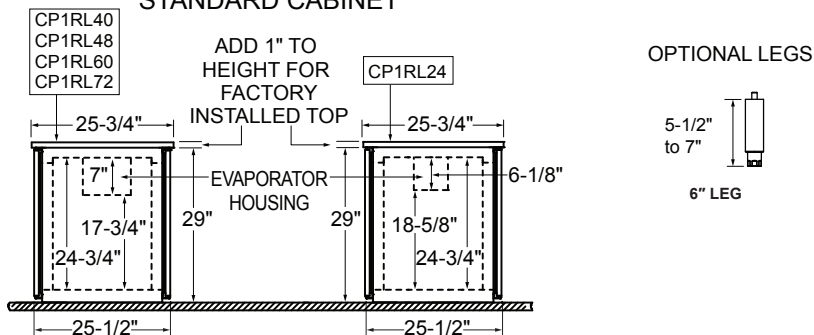
FRONT VIEW



SIDE VIEW



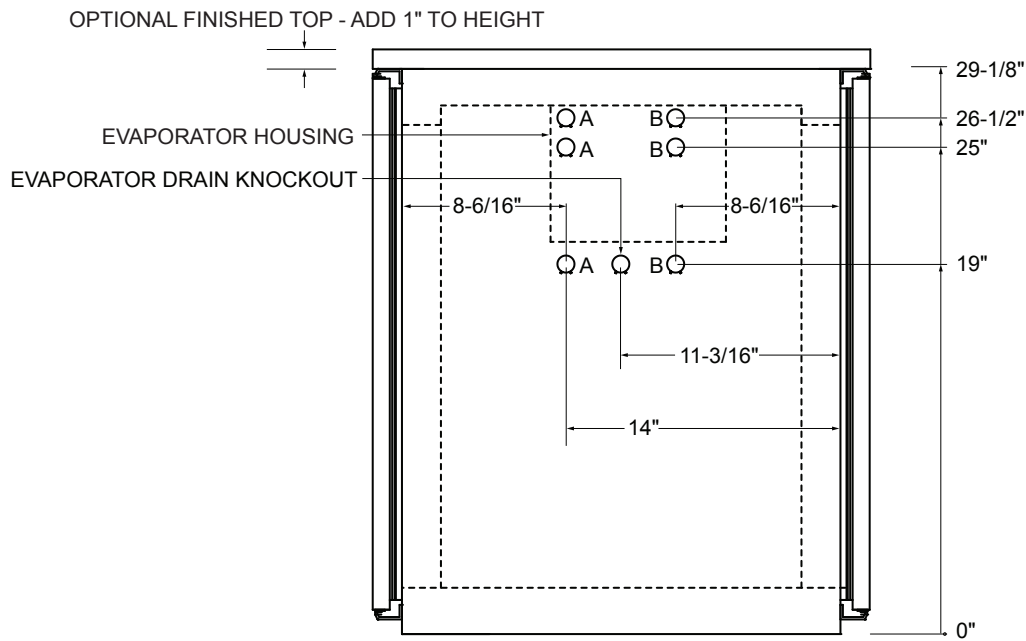
STANDARD CABINET



Coolers - Pass-Thru, One Zone, Remote, Low Profile

Knockout Dimensional Information

SIDE VIEW



CP1RL Left or Right Side

Knockout holes will appear on the side specified for refrigeration hook-up. The installer can use either the three "A" or three "B" knockouts for refrigeration and electrical to enter the unit. There are line covers provided on the interior of the box to cover the lines.