



Project Name: _____

Location: _____

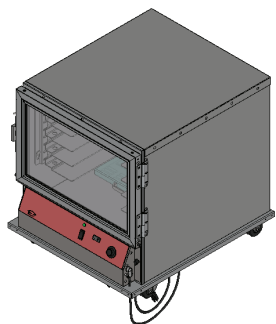
Item #: _____ Qty: _____

Model: _____

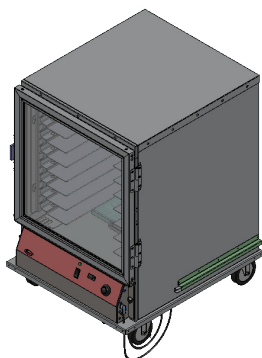
PHC PROOFING & HOLDING CABINETS (INSULATED)

MODEL: PHC32-10INS-A PHC44-16INS-A PHC60-24INS-A PHC70-32INS-A

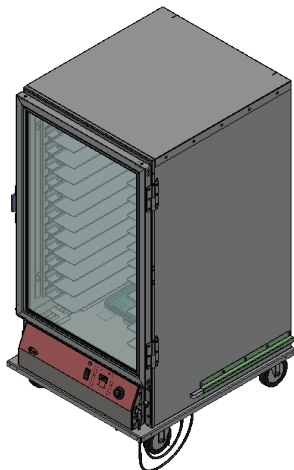
BevLes Combination Holding & Proofing Cabinets are constructed of aluminum and feature universal extruded pan supports that accommodate a wide variety of pans and screens. Each unit features clear Lexan doors with heavy-duty hinges, positive closing latches and full perimeter gaskets. User-friendly, bottom mounted controls feature independent heat and humidity adjustment.



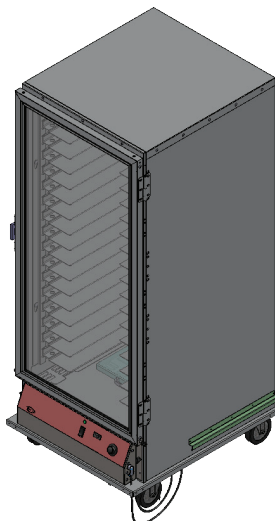
PHC32-10INS-A



PHC44-16INS-A



PHC60-24INS-A



PHC70-32INS-A

CONSTRUCTION

- Body: .063 Formed aluminum
- Door: clear Lexan with an extruded aluminum frame
- Door latch and hinges: positive action door latch with heavy-duty stainless steel hinges
- Door gasket: closed cell foam
- Base: .125 Formed aluminum
- Rear (air duct) panel: .063 Formed aluminum

FEATURES

- Fully insulated top, sides and back
- Extruded pan supports accept a variety of pans and screens
- Removable heating module
- Easy to operate controls feature digital thermostat, variable humidity control and LED display
- Maintains uniform temperature/humidity throughout cabinet
- 5 quart (4.7 liter) cast water reservoir
- “Cast-in” humidity system prevents element burnout from water spills and potential injury from accidental contact with exposed heating element
- Temperature adjustable from 80°F (27°C) to 180°F (82.2°C)
- Self-draining feature collects excess moisture into a standard bun pan (not included) below the base of the cabinet
- Completely removable interior components make cleaning quick and easy
- Heavy-duty plate casters with 5” neoprene wheels, front two with brakes

ELECTRIC

120V / 60Hz / 1Ph
(208-230V / 50-60Hz / 1Ph is available as an option)
8’ NEMA 5-20P cord set included



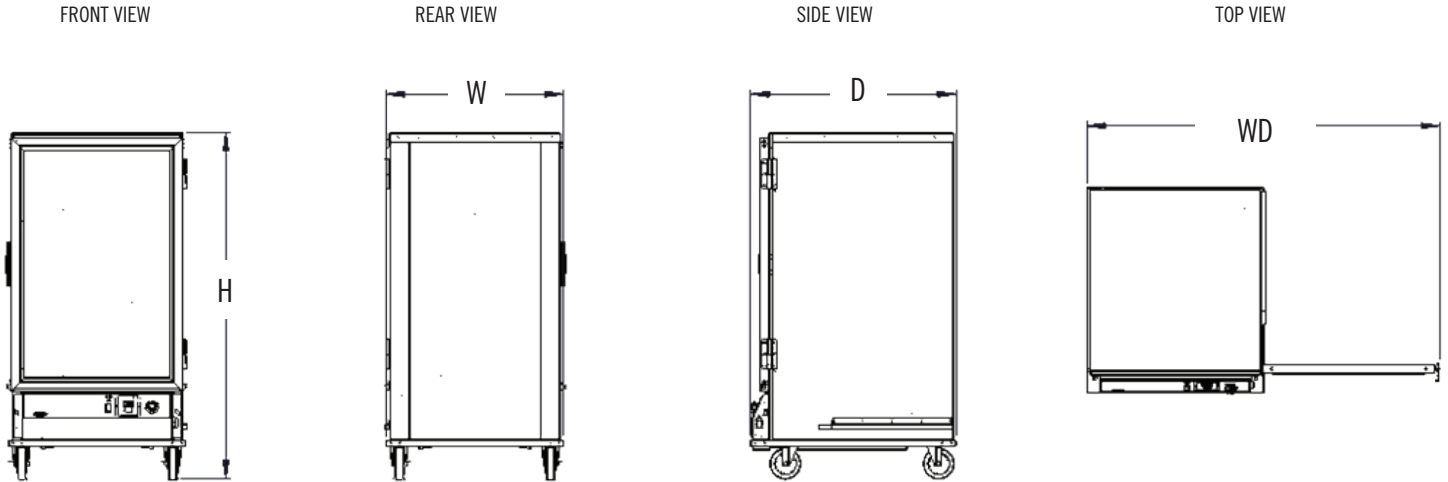
NEMA 5-20P

3RD PARTY APPROVALS





PHC PROOFING & HOLDING CABINETS (INSULATED)



MODEL	CAPACITY 18x26 / 12x20 / *SPACING	WIDTH (W)	DEPTH (D)	HEIGHT (H)	WIDTH WITH DOOR OPEN (WD)	INTERNAL HEIGHT	VOLTAGE	WATTS	AMPS	PLUG	UNIT WEIGHT / SHIPPING WEIGHT	CLEARANCES
PHC32-10INS-A	5 / 10 / 3"	29" 740 mm	33.5" 850 mm	31.38" 797 mm	57.5" 1460 mm	19" 480 mm	120V / 60Hz / 1 Ph	2000	16.7	NEMA 5-20P	135 lbs / 61 kg 190 lbs / 86 kg	Zero Clearance Cabinet
PHC44-16INS-A	8 / 16 / 3"	29" 740 mm	33.5" 850 mm	43.06" 1094 mm	57.5" 1460 mm	27" 690 mm	120V / 60Hz / 1 Ph	2000	16.7	NEMA 5-20P	175 lbs / 80 kg 225 lbs / 102 kg	Zero Clearance Cabinet
PHC60-24INS-A	12 / 24 / 3"	29" 740 mm	33.5" 850 mm	56.5" 1440 mm	57.5" 1460 mm	40" 1020 mm	120V / 60Hz / 1 Ph	2000	16.7	NEMA 5-20P	210 lbs / 95 kg 260 lbs / 118 kg	Zero Clearance Cabinet
PHC70-32INS-A	16 / 32 / 3"	29" 740 mm	33.5" 850 mm	71.5" 1820 mm	57.5" 1460 mm	55" 1400 mm	120V / 60Hz / 1Ph	2000	16.7	NEMA 5-20P	245 lbs / 111 kg 295 lbs / 133 kg	Zero Clearance Cabinet

* Adjustable on 1.50" centers. Also accommodates 19" x 19" and 23" x 23" screens

AVAILABLE OPTIONS & ACCESSORIES

- Reverse door hinging
- Solid door
- Corner bumpers of gray non-marking vinyl (set of 4)
- Perimeter bumper of gray non-marking vinyl
- Additional extruded universal pan supports
- 6" stainless steel legs with adjustable feet for stationary floor installation *
- 6" casters with soft rubber wheels
- 18" x 26" chrome electroplated wire racks