

"ST4R5-LSBK" STAINLESS STEEL TOP WORK TABLES

"L" Shaped, 14GA Top w/Stainless Base & Bracing - 5" Riser

FEATURES:

- 14GA Stainless Steel Top
- Type 300 Stainless Steel With #4 Polish, Satin Finish
- Top Is Sound Deadened
- Reinforced With 1"x2" Channel Running Entire Length Of Table
- 1-1/2" Stallion Edge On Front Side Edges 90 Degree Bend Down For Table Line-Up
- Stainless Steel Base With Adjustable Bracing
- Adjustable Bullet Feet
- Shipped Knocked-Down, Easy-To-Assemble

SPECIFICATIONS:

- Top: Stainless Steel Tops Are TIG Welded, Exposed Welds Are Polished To Match Adjacent Surface
- Top: 14GA Stainless Steel Type 300 Stainless Steel With #4 Polish, Satin Finish
- Bracing: 1-1/4" Round O.D. 18GA Stainless Steel
- Legs: 1-5/8" Round O.D. 16GA Tubular Stainless Steel
- Gussets: Stainless Steel
- Feet: 1" Adjustable Stainless Bullet Feet



ST4R5-L2460SBK

CERTIFICATIONS:



ACCESSORIES

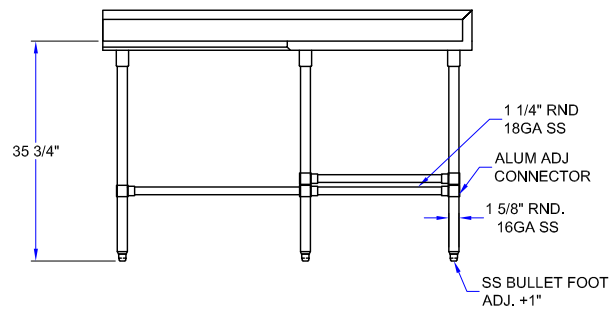
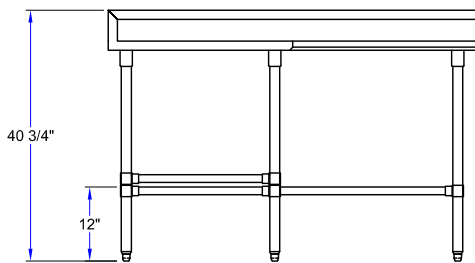
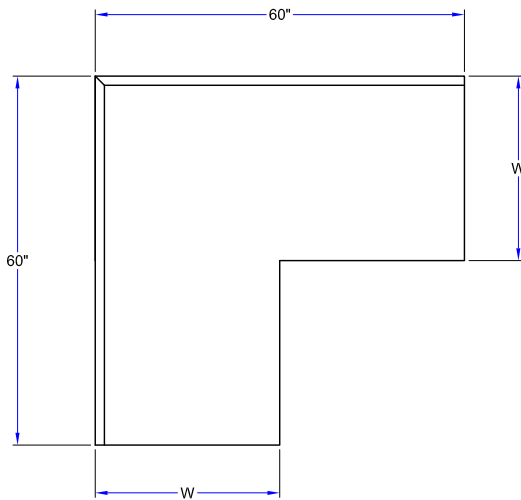
DESCRIPTION
Drawer
Drawer Lock
Casters
Overshelves
Sinks
Pot Rack

"ST4R5-LSBK" STAINLESS STEEL WORK TABLES

MODEL	SIZE (L X W X H)	WIDTH (W)	WEIGHT (LBS)
ST4R5-L2460SBK	60"x24"x37-1/4"	24"	130
ST4R5-L3060SBK	60"x30"x37-1/4"	30"	140

ALL DIMENSIONS ARE TYPICAL. TOLERANCE +/- .500". JOHN BOOS & CO. RESERVES THE RIGHT TO CHANGE SPECIFICATIONS WITHOUT NOTICE.

DETAILED SPECIFICATIONS



MODEL # STRUCTURE

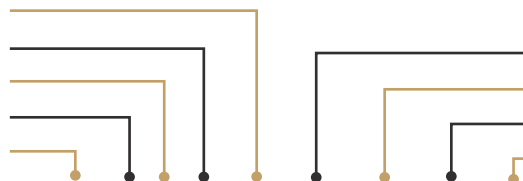
L = "L" Shaped Table

5 = Ht. Of Riser w/Turndown

R = Top w/Riser

4 = 14GA Work Surface

ST = Stainless Steel Top



24 = Width Of Work Surface

60 = Length Of Work Surface

SB = Stainless Steel Base & Bracing

K = Ships Knocked Down

ST4R5-L2460SBK

"ST4R5-LSBK" STAINLESS STEEL WORK TABLES

MODEL	SIZE (L X W X H)	WIDTH (W)	WEIGHT (LBS)
ST4R5-L2460SBK	60"x24"x37-1/4"	24"	130
ST4R5-L3060SBK	60"x30"x37-1/4"	30"	140

ALL DIMENSIONS ARE TYPICAL. TOLERANCE +/- .500". JOHN BOOS & CO. RESERVES THE RIGHT TO CHANGE SPECIFICATIONS WITHOUT NOTICE.